



HIFIMAN



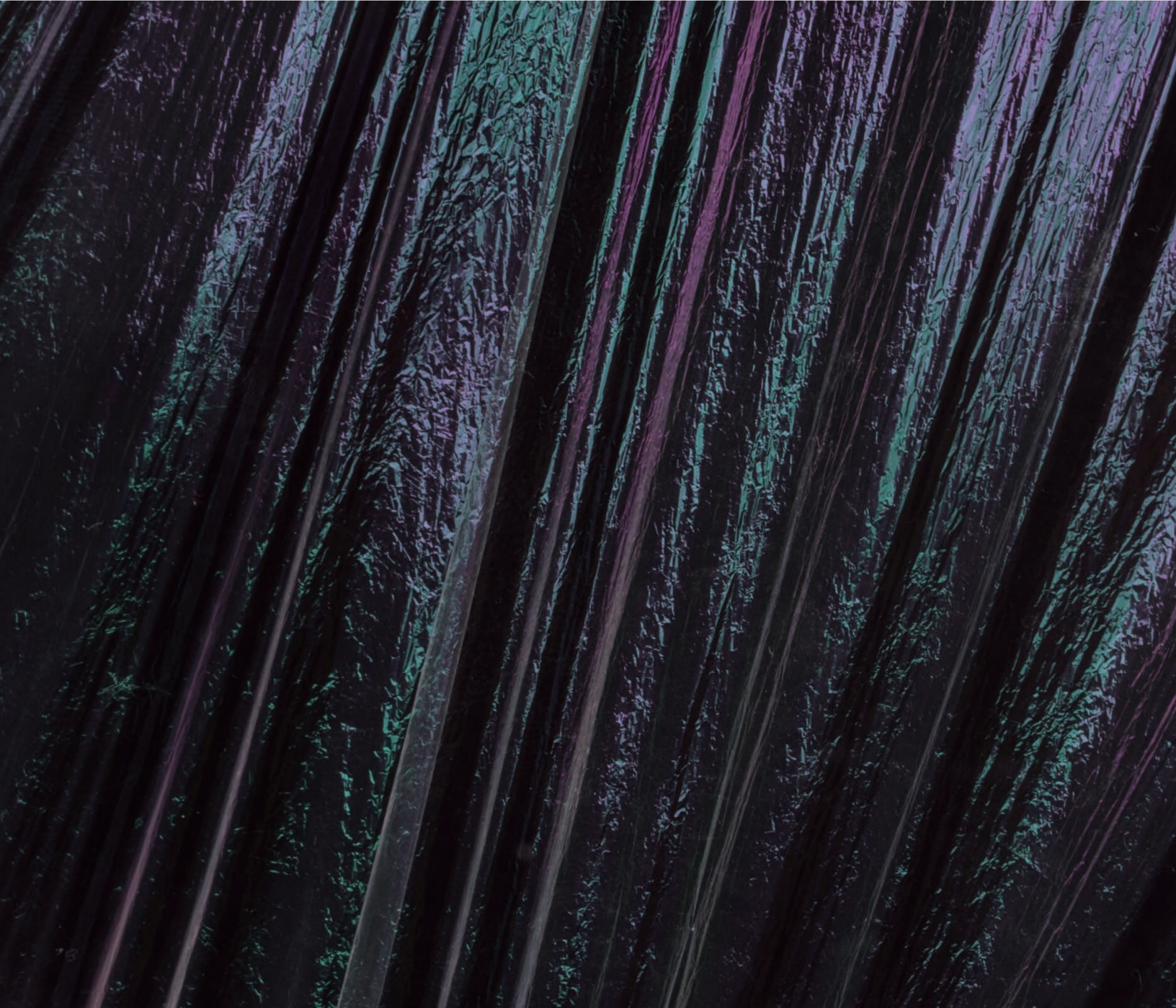
# He

Thank you for purchasing the HIFIMAN  
headphone. HIFIMAN is one of the leaders  
of high performance audio products.  
latest design concepts, including patents  
provide you with exceptional pleasures

This guide is intended to share important  
the special design, technologies and  
and how you can maximize your enjoyment







# Nanometer Thick Diaphragm

Assures Remarkable Re

HE1000se uses planar magnetic technology drivers, HIFIMAN planar headphones utilize sound that is detailed and lifelike with outst lower mass, yielding faster response and lo create natural sound reproduction.

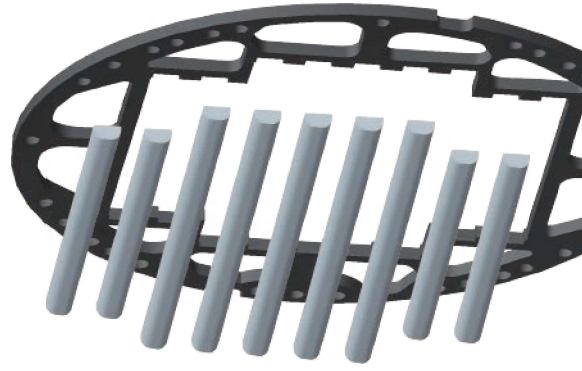
In the HE1000se, the film we use is so thin, breakthrough core technology developed

# The Stealth Magnets



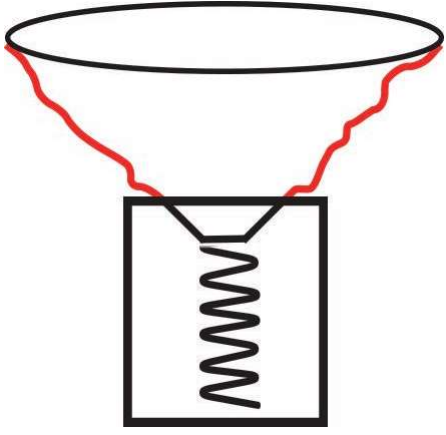
The latest innovation in the world of planar magnetic headphones is the development of a new design of magnet. We have called these "Stealth Magnets" after the core principle of anything stealth, to be as invisible as possible. Thus, the advanced magnet design used on the HE1000se aims to be as acoustically transparent, or invisible as possible. In traditional designs the magnets get in the way of the sound waves, by reflection and diffraction. This creates constructive and destructive interference and as these points shift with frequency changes there is a mass of wave interference taking place.

The use of "Stealth Magnets" on the HE1000se means the sound wave reproduction can take place without the necessary magnets getting in their own way ruining the sonic purity of their output.

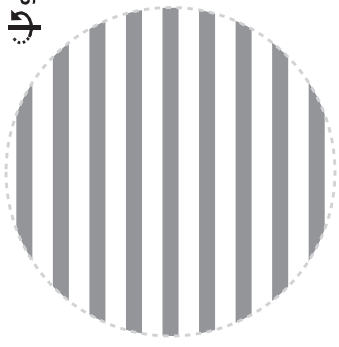


# The Technology Under the Grill

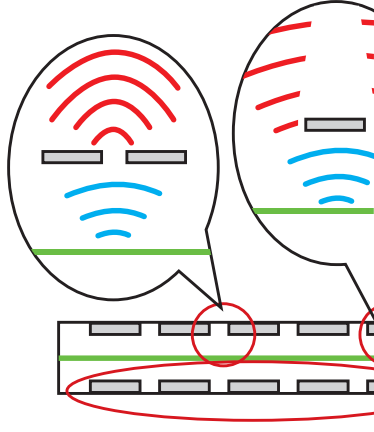
A conventional dynamic driver's frequency response can be altered due to distortions and vibrations across the diaphragm surface.



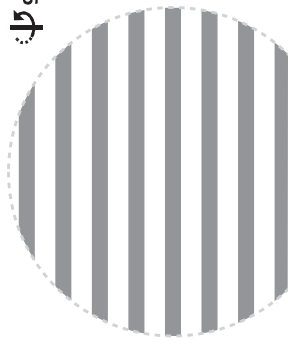
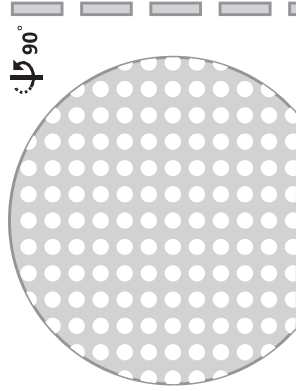
Degradation of sound quality in a conventional driver is caused by the magnets getting in the way of the sound waves.



Conventional electrostatic headphone sees degradation of sound quality caused by the stator's interference.



Unlike the sound waves created by a conventional driver, the sound waves created by a magnet of HE1000se enables the waves to pass through the stator's interference.





## Patented "Wind

Created to meet the new  
and optimized open-ba

HIFIMAN utilizes an "Open Back" design fo

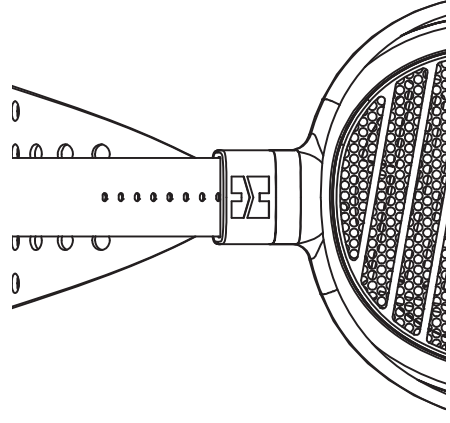




## The Headband

Ergonomic and comfortable for most people, with great

The metal headband structure is created headband, simply move each ear cup comfortably on your head and the ear cups





## The Cables and C

HE1000se is supplied with a newly upgraded grade crystalline copper and crystalline silver cable delivers better sound quality with wide

The cables are user-replaceable and have colors are indicated inside the headband. Once there is an easy way to tell left and right is the cable will drape on the user's chest for great

## The Plugs

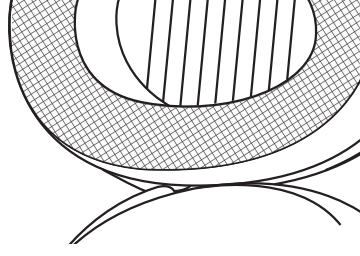
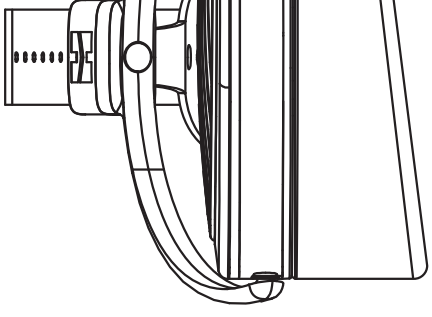
The HE1000se includes three different cable compatibility with the widest variety of audio equipments.

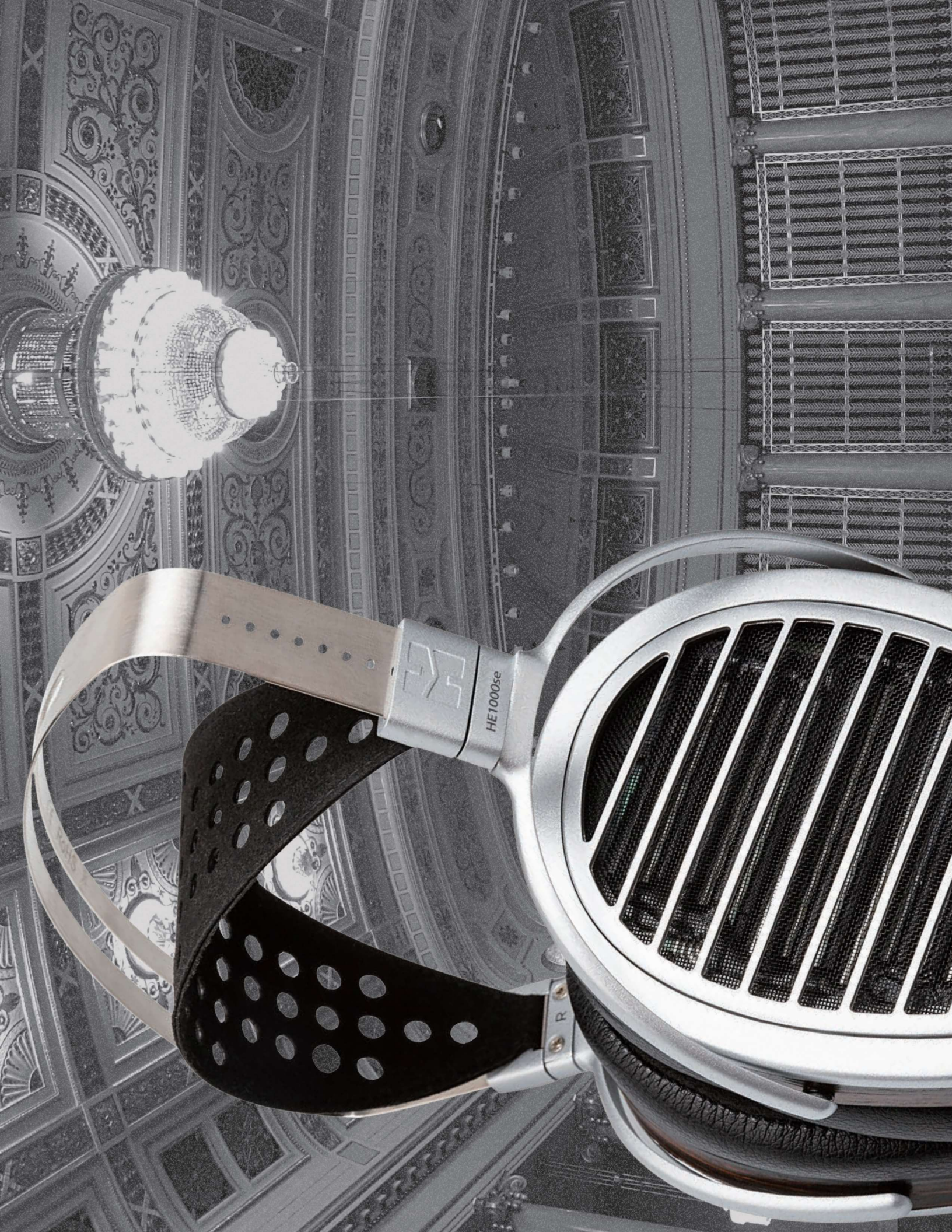




# The Ear Pads

The elegant asymmetry of the ear pads on human ear. The pads themselves are gently superb comfort and extended listening.





HET1000se

R



## The Craftsmans

Meticulously crafted and  
Each HE1000se is assured

Each one of our HE1000se headphones is a  
throughout the entire manufacturing process  
the surface finishing is handled and refined

With its unique design, exceptional function  
ultimate luxury item that will redefine the a



## The Weight

The weight of the HE1000se has been reduced  
10% less of the original HE1000's 16.9oz (48

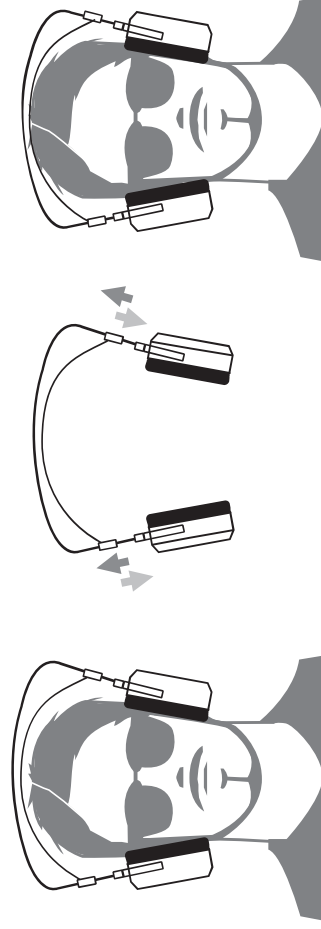






## Headband Adjustment

To help fit the headphone to your head, you may use the two adjustment blocks to change the position of the headband strap to better accommodate your head.



## Care and Maint

Planar headphones benefit from break-in takes up to 150 hours however there is no headphones.

Wipe the surfaces (ear pads, cups) with a cool and safe place (away from dust, heat possible.) For the headband, wipe it periodically.

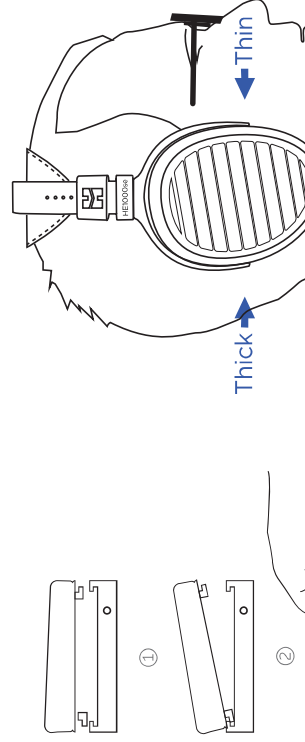
Do not expose the headphone to excessive

Do not use any headphone while driving or

Do not use volatile substances alcohol, acetone

## Replacing Ear Pads

To remove the ear pads, locate the clips on the inside of the pad, and use two fingers to gently bend them in and slip them out. To install new pads, simply align the ear pad with the mounting ring, and gently bend the clips so they slot in their appropriate locations.





# Technical

## Specifications

Impedance: 35  $\Omega$

Sensitivity: 96 dB

Frequency response: 8Hz-65kHz

Weight: 440g (15.5oz)

## Package Contents

- (1) Pair of headphones
- (1) 1.5m headphone cable (3.5mm)
- (1) 3m 4 pin XLR balanced cable
- (1) 3m headphone cable (6.35mm)
- (1) Pair of ear pads (mounted on headphones)
- (1) Owner's Guide