
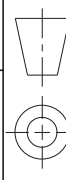


REVISIONS (试产: P/量产: V)

REV	ZONE	DESCRIPTIONS	AUTHCR	DATE
A		首次发行	邓娟	2021.03.17
B		增加澳规认证信息	邓娟	2021.03.23
C		改自动梯形校正信息	邓娟	2021.03.31

 变更符号

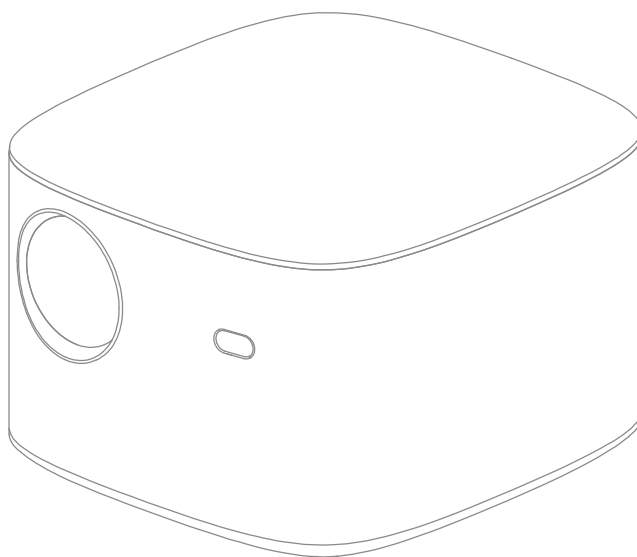
材质: 封面、封底250g哑粉纸, 内页105g哑粉纸  
 印刷颜色: PANTONE Cool Gray 8C  
 尺寸: 150\*102mm  
 工艺: 封面、封底覆膜, 内页过油, 胶装

707-00313	YH01 (海外版) - 说明书		
PART NUMBER	Name OF BOM	REMARK	
			
<small>THIS DOCUMENT CONTAINS PROPRIETARY INFORMATION AND SHALL NOT BE DUPLICATED OR DISCLOSED TO OTHERS WITHOUT PERMISSION</small>			
Designer:	F-check:	STD-check:	DRAWING FILE NAME
邓娟			MODEL NAME
OPT-check:	Approve I:	Approve II:	ISSUED DATE
			DRAWING TOOLING REVISION/VERSION
		SIZE A4	SHEET COVER OF 1
		SCALE	UNIT mm

**XGIMI HORIZON PRO**

**XGIMI HORIZON**

USER GUIDE





English	1
Deutsch	13
Español	25
Français	37
Italiano	49
Polskie	61
Português	73
Русский	85
日本語	97
繁體中文	109
한국어	121
اللغة العربية	133



## Please read the Product Instructions carefully before using the product

Thank you for purchasing and using the products of Chengdu XGIMI Technology Co., Ltd. (hereinafter referred to as "XGIMI Technology" or "XGIMI"). You should read the Product Instructions carefully before using this product for both your safety and interests.

XGIMI Technology disclaims all responsibilities for any personal injury, damage to property, or other loss that may occur as a result of improper or unsafe use of this product.

## About the Product Instructions (hereinafter referred to as the "Instructions")

The copyright of the Instructions belongs to XGIMI Technology.

Trademarks and names mentioned in the Instructions belong to their respective right owners.

In case of inconformity between the content of the Instructions and the actual product, the actual product shall prevail.

Any objections to any content or clause found within the Instructions should be reported to XGIMI Technology in written form within 7 days after the purchase; otherwise, it will be assumed that you agree to, understand, and accept all the content of the Instructions.

Google, Android TV and Chromecast built-in are trademarks of Google LLC.

Google Assistant is not available in certain languages and countries. Availability of services varies by country and language.



HDMI High-Definition Multimedia interface, and the HDMI Logo are trademarks or registered trademarks of HDMI Licensing Administrator, Inc.



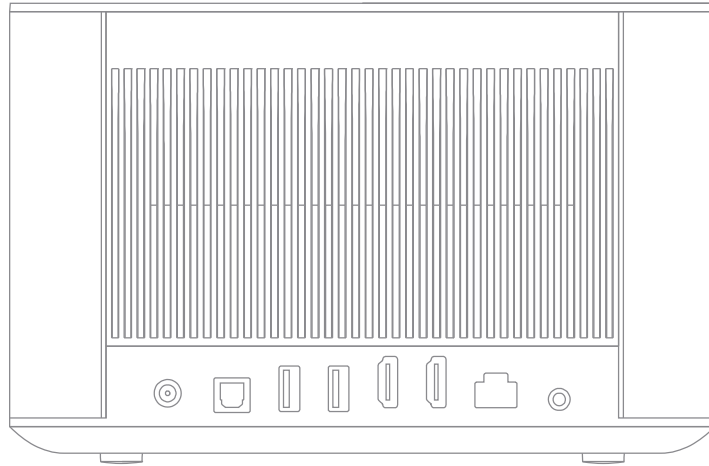
For DTS patents, see <http://patents.dts.com>. Manufactured under license from DTS Licensing Limited. DTS, DTS-HD, DTS Studio Sound, and the DTS-HD logo are registered trademarks or trademarks of DTS, Inc. in the United States and other countries. © 2020 DTS, Inc. ALL RIGHTS RESERVED.



Dolby, Dolby Audio, and the double-D symbol are trademarks of Dolby Laboratories Licensing Corporation.

\* Model: XK03H/XK03K

\* XGIMI Technology reserves the right to interpret and amend the Instructions.



DC IN



OPTICAL



USB2.0



USB2.0



HDMI 1/ARC



HDMI 2

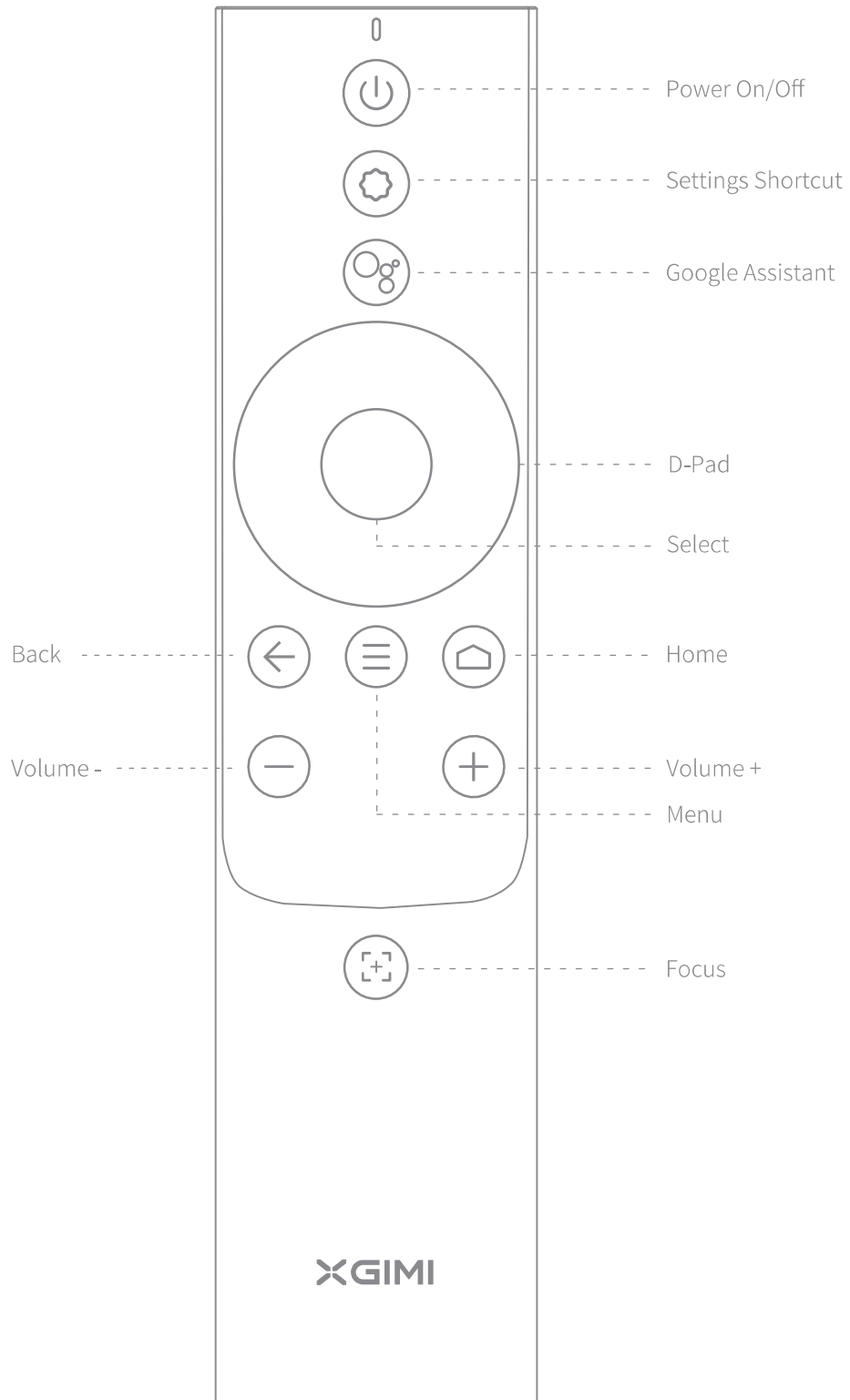


LAN



AUDIO

\* Use HDMI 2.0 cables when using HDMI 2.0 interfaces.





## 1 Device on/off

Connect to the power source, and press the "⊙" button to turn on the device.

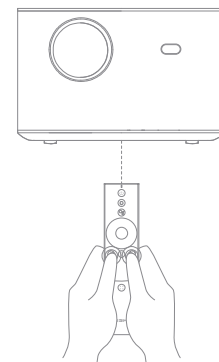
When the device is on, press the "⊙" button to turn off the device.



## 2 Remote control pairing

Place the remote control within 10 cm of the device, press "⊃" and "⏏" simultaneously until an indicator light begins flashing. This means that the remote control enters the pairing mode. When a "Ding" is heard, the connection is successful.

If the pairing fails, it will exit after 30 seconds. Repeat the above steps after exiting.



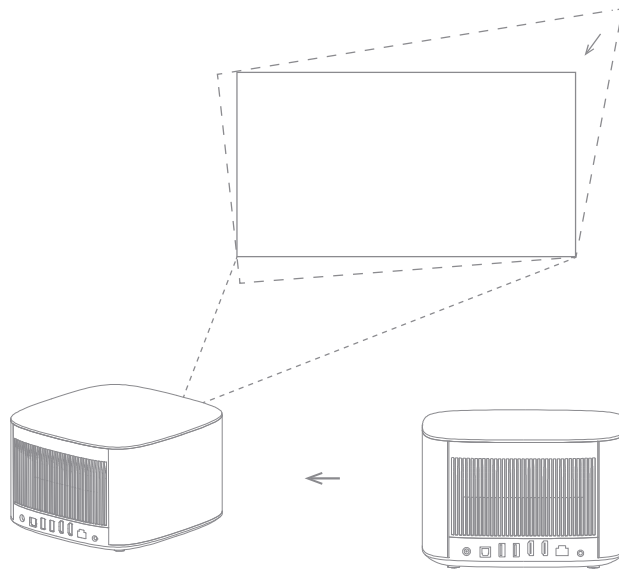
## 3 Automatic focus adjustment/Remote focus adjustment

When the automatic focus adjustment function is enabled, the frame will be adjusted automatically when you turn on the device or move it to another location.

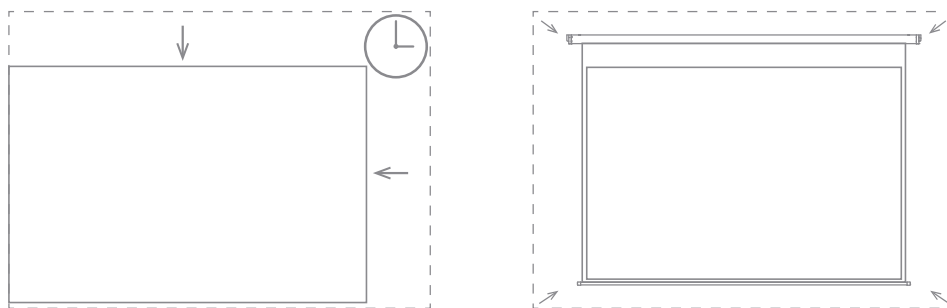
Enable automatic focus by pressing "⏏". After holding on to the "⏏" button to enable manual focus adjustment, you can manually adjust the focus by pressing the "left/right" button or the "VOL+/-" button. After the adjustment, you can press other buttons to exit.

## 4 Automatic keystone correction

When the automatic keystone correction function is enabled, the frame will be adjusted automatically if you move the device to another location.



When the automatic obstacle avoidance function is enabled, the frame will automatically avoid obstacles if there are obstacles in the projection area. When the automatic screen alignment function is enabled, the frame will automatically match the screen if there is a 16:9 or 16:10 screen in the projection area.



Press the "⌘" button on the remote control to enter the "Keystone Correction" page. Select "Auto Keystone Correction" to enable the automatic keystone correction function. Select "Manual Keystone Correction" to adjust the four points and the size of the frame.

## 5 Google Assistant

Talk to Google to control your TV using your voice.

Press the Google Assistant button on your remote to search for movies and shows, get recommendations to match your mood, get answers, control smart home devices, and more.

## 6 Bluetooth speaker

Use mobile Bluetooth settings to search for "XGIMI HORIZON PRO" or "XGIMI HORIZON" to pair with the device and play songs.

If you need to turn off the projection frame during music playback, you can press the "Power" button and select "Display Off" .

## 7 More settings

At any interface, you can press the "⚙️" button on the remote control to quickly set your device. To configure more settings, go to the "All Settings" page.

The main settings are described as follows:

- Brightness and color

Select a brightness mode, such as standard, bright, eye-protection, and adjust the brightness level.

If the "Environmental Adaptation" function is enabled, the device can automatically adjust the brightness based on the ambient brightness.

- Image mode

Select different image modes in different scenarios, such as movie, football, office, and game, to adjust the image parameters of the video or signal source. The low-latency option is available in game mode.

- Sound effect

Select different sound effects in different scenarios, such as movie, music, and sport, to enjoy the optimal sound experience.

- Focus calibration

If the automatic focus adjustment function is not as good as before after long-term use, you can tune the automatic focus adjustment function through "Focus Calibration".

Note: When calibrating, make sure that the device is in the front projection state and that it is 1 to 2 meters away from the wall or screen.

- Keystone calibration

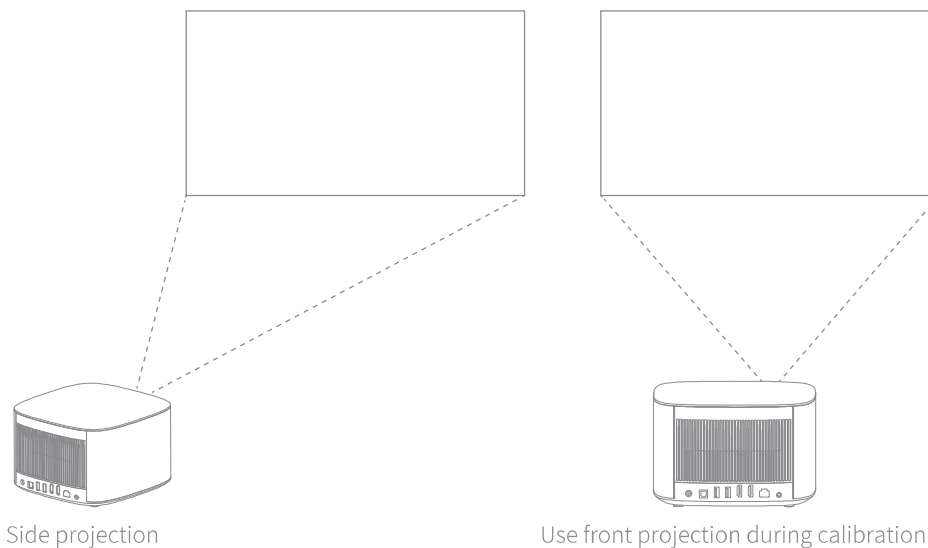
If you are not satisfied with the effect of the automatic keystone correction function, you can recalibrate the automatic keystone correction function through "Keystone Calibration".

Note: When calibrating, make sure that the device is in the front projection state and that it is 1 to 2 meters away from the wall or screen.

- Gyro calibration

If the automatic keystone correction function is not as good as before after long-term use, you can recalibrate the gyro through "Gyro Calibration" to optimize the effect of automatic keystone correction.

Note: Make sure that the device is placed horizontally during calibration.



## **8** Online upgrade

Check the latest version and upgrade the system through "Settings" -> "Device Preferences" -> "About" -> "System Update".

## **9** Chromecast Built-in™

### **Chromecast built-in**

Easily cast your favorite movies, music, and more to your TV with Chromecast built-in.

Simply tap the Cast button from apps you already know and love to stream entertainment from your phone, tablet or laptop to the TV. While you're streaming, you can keep using your phone for other things- scroll through social media, send a text, and even accept calls.