



HE1000 V2

Owner's Guide



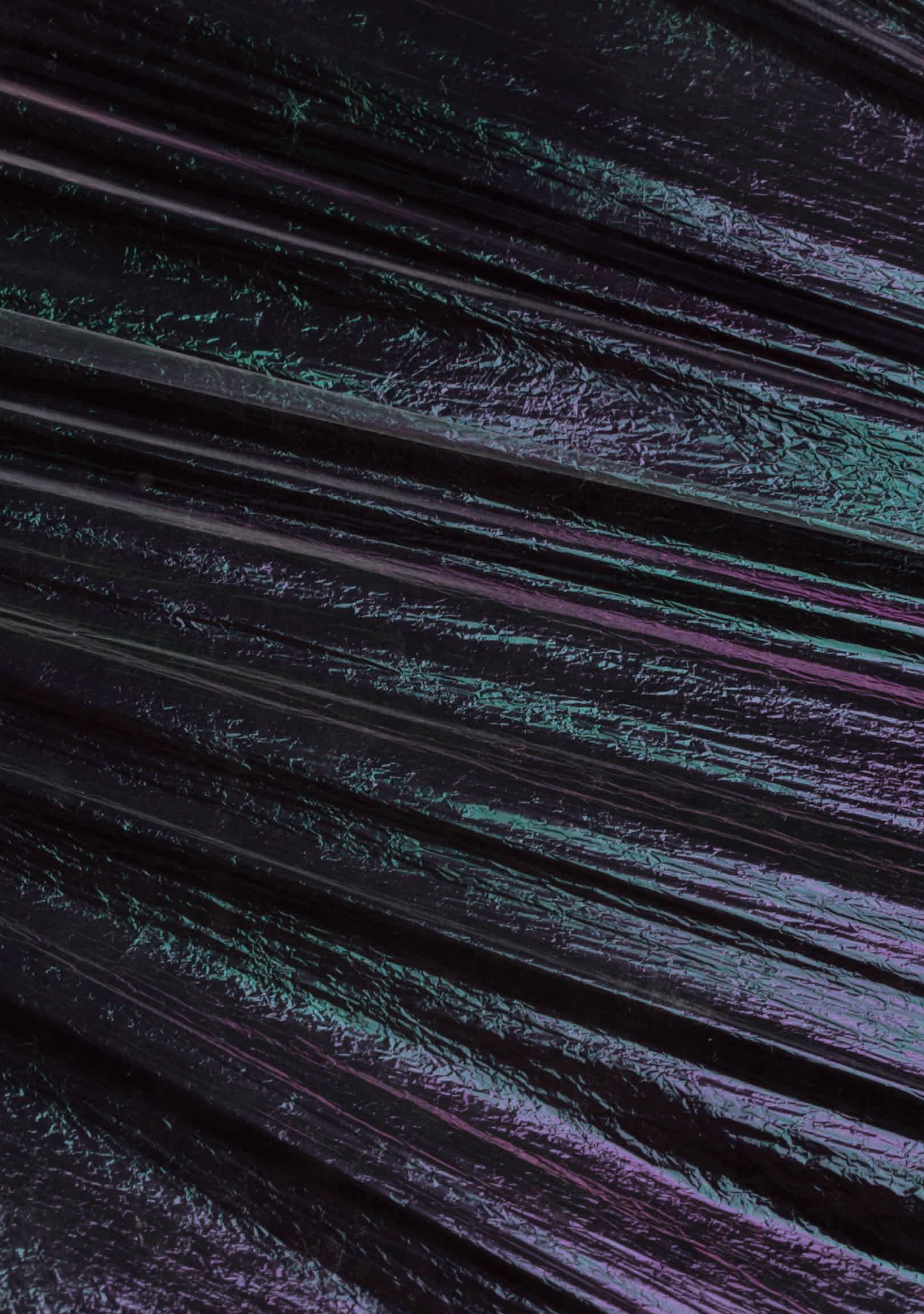
Hello

Thank you for purchasing the HIFIMAN HE1000 V2 planar magnetic headphone. HIFIMAN is one of the leading high performance audio brands in the world and HE1000 is our flagship headphone. The HE1000 V2 incorporates our latest design concepts, including patented technologies that will provide you with exceptional pleasure for years to come.

This guide is intended to share important information with you about the special design, technologies and care that went into HE1000 V2 and how you can maximize your enjoyment.







World's First Diaphragm in Nanometer Thickness

Assures Remarkable Reproduction

HE1000 V2 uses planar magnetic technology to create sound. Unlike conventional dynamic drivers, HIFIMAN planar headphones utilize a very thin film in proximity to a magnet to create sound that is detailed and lifelike with outstanding clarity. Generally, the thinner the film means lower mass, yielding faster response and lower distortion which in turn are key elements that create natural sound reproduction.

In the HE1000 V2, the film we use is so thin, it is a diaphragm in nanometer thickness which is a breakthrough core technology developed by HIFIMAN and first of its kind in headphone application. To give you an idea how thin the film is, if you were to view it from the side, it would be invisible to the naked eye. Working with this advanced material is extremely challenging yet the successful incorporation of this film as the HE1000 V2's planar driver is the cornerstone of its remarkable sound.



Patented “Window Shade” System

Created to meet the need for driver protection and optimized open-back design

HIFIMAN utilizes an “Open Back” design for best possible sound. With HE1000 V2, a patented “Window Shade” is precisely structured to gain greater openness in the headphone design. It keeps the sound waves from second refraction to avoid unwanted vibration and distortion. Result is a wider soundstage, outstanding imaging and remarkable clarity.

Aesthetically, the “Window Shade” also provides a unique, high-tech look to HE1000 V2.



Advanced Asymmetrical Magnetic Circuit

7 years of painstaking research with this groundbreaking design offers near perfect reproduction of live music

It took the HIFIMAN team seven years to obtain the optimum balance between high driver efficiency and high sound quality. The innovative design of the double-sided, asymmetrical magnetic circuit is the perfect marriage of the Diaphragm in Nanometer thickness and its magnetic partner. The result is Planar Magic.



Metropolitan Opera, New York

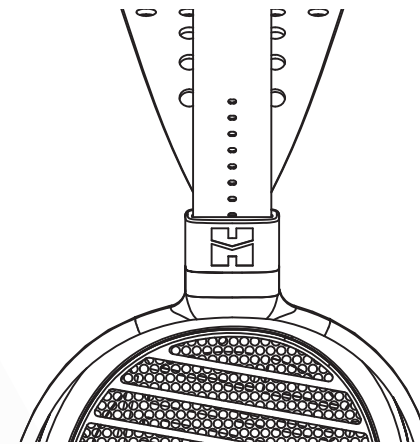


The Headband

Ergonomic and comfortable headband design for most people, with greater reliability and durability

The original HE1000 V2 headband is the result of clever industrial design. The HE1000 V2 has an improved headband that will accommodate a wider range of head sizes while applying correct pressure evenly.

The metal headband structure is created via CNC milling and hand polishing. To adjust the headband, simply move each ear cup up or down until the top of the headband rests comfortably on your head and the ear cups surround your ears.





The Cables and Channel Orientation

HE1000 V2 is supplied with a newly upgraded cable made of further refined conductor (higher grade crystalline copper and crystalline silver) with improved stronger structure. The new cable delivers better sound quality with wider frequency range and lower signal loss.

The cables are user-replaceable and have channel orientation for left and right. A "L" and "R" are indicated inside the headband. Once the cable is installed with correct channel orientation, an easy way to tell left and right is the cable is connected toward the front of the ear cup. The cable will drape on the user's chest for greater comfort.

The Plugs

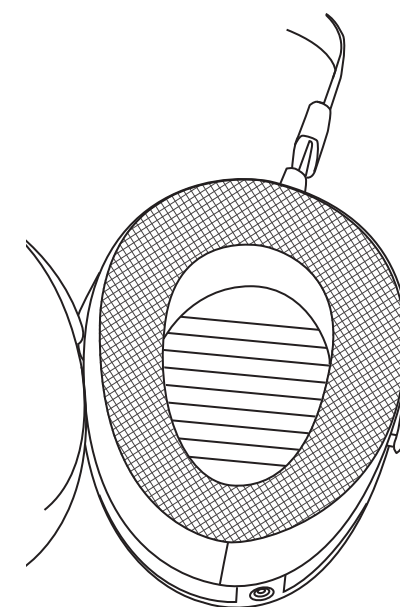
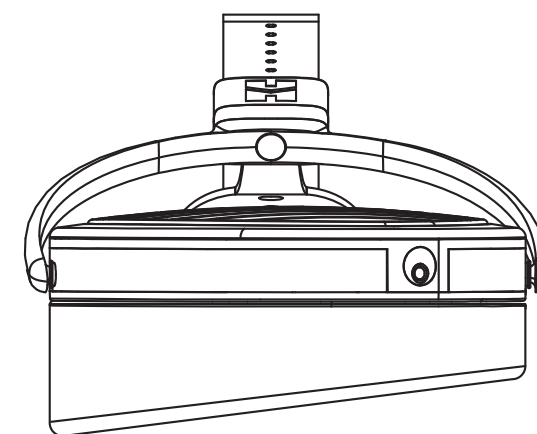
The HE1000 V2 package includes three different types of plugs: mini 6.35mm (1/4"), 3.5mm and 4-pin XLR connector so it can be used with a wide array of equipment. The plugs are easy to switch and quickly connected to different cables and amplifiers.



The Ear Pads

The newly updated HE1000 V2 ear pads have been specially re-designed to become thicker with an asymmetrical shape that follows the form of the ear cups. The pads are beveled so that they contour to the shape of your head for superb comfort and extended listening.

The premium ear pads also have a new surface that makes contact with the head. This material had been changed from Velour to Polyester to increase sound transparency. The surrounding pleather material has not been altered.





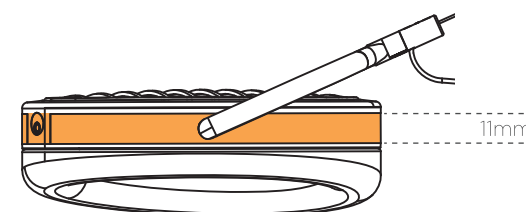
HE1000

HE1000 V2



The Ear Cups

The updated ear cups are trimmed down in size, reducing weight and increasing comfort. The HE1000 V2's ear cup measures 11mm in thickness and the original version is 14mm. The new look is slimmer and sleeker.



The Craftsmanship

Meticulously crafted and quality-checked by hand. Each HE1000 V2 is assured to be perfect.

Each one of our HE1000 V2 headphones is assembled and repeatedly quality-checked by hand throughout the entire manufacturing process. To meet the critical standard set out by HIFIMAN, the surface finishing is handled and refined by meticulous craftsmen.

With its unique design, exceptional function and exquisite craftsmanship, the HE1000 V2 is an ultimate luxury item that will redefine the audio landscape.



The Weight

The weight of the HE1000 V2 has been reduced to 14.8oz (420g), 12.5% less of the original HE1000's 16.9oz (480g).



Care and Maintenance

Planar headphones benefit from break-in to achieve optimum performance. Usually this takes up to 150 hours however there is nothing special you need to do other than enjoy your headphones.

Wipe the surfaces (ear pads, cups) with a microfiber cloth and store the headphone in a dry, cool and safe place (away from dust, heat, humidity, sunlight, children and pets if possible.) For the headband, wipe it periodically to rub off/remove dust.

Do not subject the headphone to excessive hot or cold temperatures.

Do not use any headphone while driving or operating machinery.

Do not use volatile substances alcohol, acetone, gasoline or dish detergent to clean the headphone.

Specifications

Style: Open Back

Driver type: Planar Magnetic

Impedance: 35 Ω

Sensitivity: 90 dB

Frequency response: 8Hz-65kHz

Weight: 420g (14.8oz)

HIFIMAN Limited Warranty

Your HE1000 V2 is warranted for a period of three years beginning with the original date of purchase. Your dated sales or delivery receipt, is your proof of purchase. You may be required to provide proof of purchase as a condition of receiving warranty service so please keep it handy.

If your product is under warranty and some malfunctions appear, please contact HIFIMAN customer service or your authorized dealer. If necessary, and at our discretion, we will provide a warranty repair or replacement of your product.

Caution: do not disassemble or modify the product in any way. Tampering with or modifying your HIFIMAN product will void its warranty.

This Limited Warranty does not apply to :

1. Defective or discolored parts if the damages are caused by fluids, dirt, missing keys, broken plastic parts or improper use.
2. Damage caused by misuse with another product.
3. Use of the product for other than its normal intended use, including, without limitation, failure to use the product in accordance with the supplied "Owner's Guide" .
4. Damage caused by accident, abuse, neglect or misuse.
5. If you do not have a valid dated receipt showing proof of purchase.
6. Damage caused by services/repairs or other modifications to the system carried out by anyone other than HIFIMAN or an authorized HIFIMAN distributor or dealer.
7. Damage caused by self-repair or if the unit has been disassembled or modified in any way.

HIFIMAN guarantees your satisfaction and will do everything reasonable to achieve that. If you have any questions or concerns with your product, simply contact your authorized dealer or HIFIMAN directly (if purchased from us) and explain the issue in detail. Should a return be required, a RA# will be issued. Return shipping to HIFIMAN or authorized service facility will be at the owner's expense.

The warranty applies to the first purchaser and is not transferable. Should you need warranty service please contact your authorized HIFIMAN dealer. Or email us directly at customerservice@HIFIMAN.com

If you have any concerns with your product: please contact us to explain the issue in detail. If a return/refund is required, a RA# will be issued. Return shipping to HIFIMAN or authorized service facility is done at the owner's expense.

Contact Us. We'd Love to Hear From You

Customer Service Tel: 1- 201-443-4626

E-mail: customerservice@HIFIMAN.com

Address: 2602 Beltagh Ave. Bellmore, NY 11710, United States

Website: www.HIFIMAN.com



facebook.com/hifimanelectronics



twitter.com/hifimanofficial



www.hifiman.com



HE1000 V2