

CT7.3 LCRS

CT7.4 LCRS

CT7.5 LCRS

Installation Instructions



Figure 1

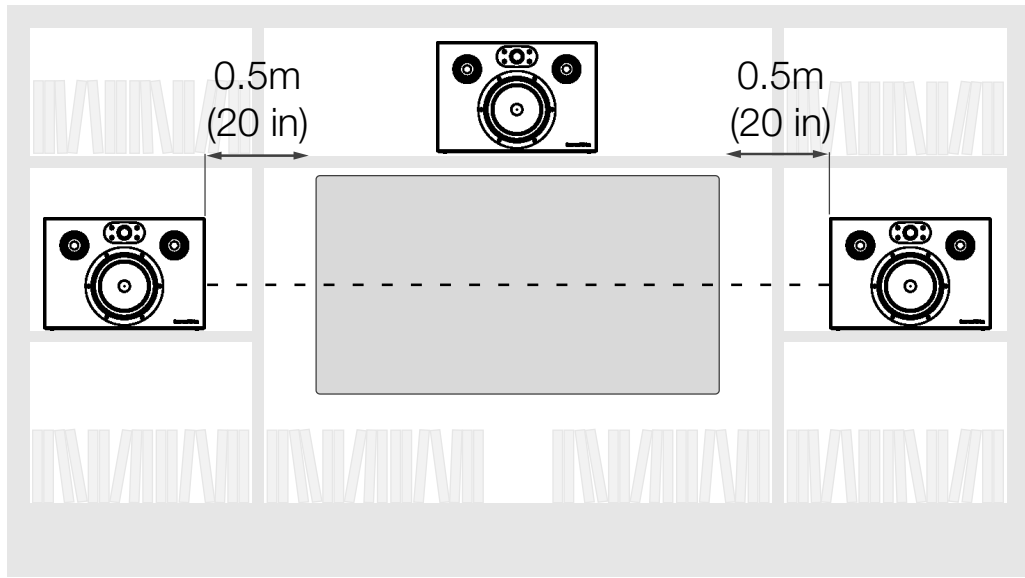


Figure 2

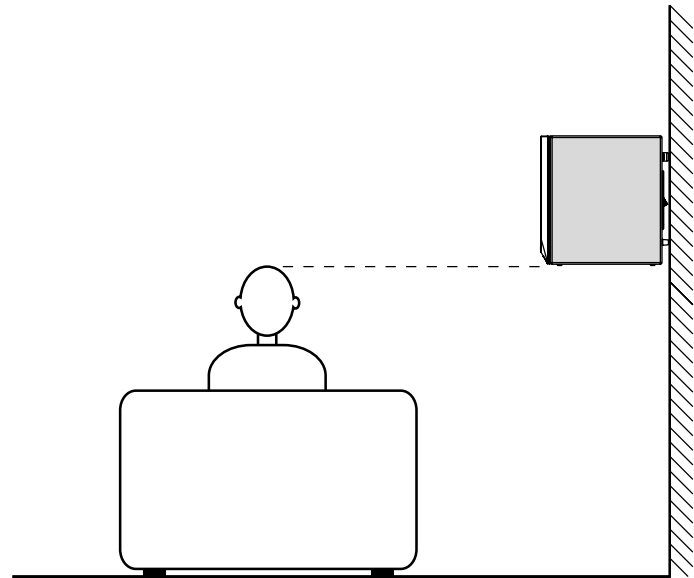


Figure 3

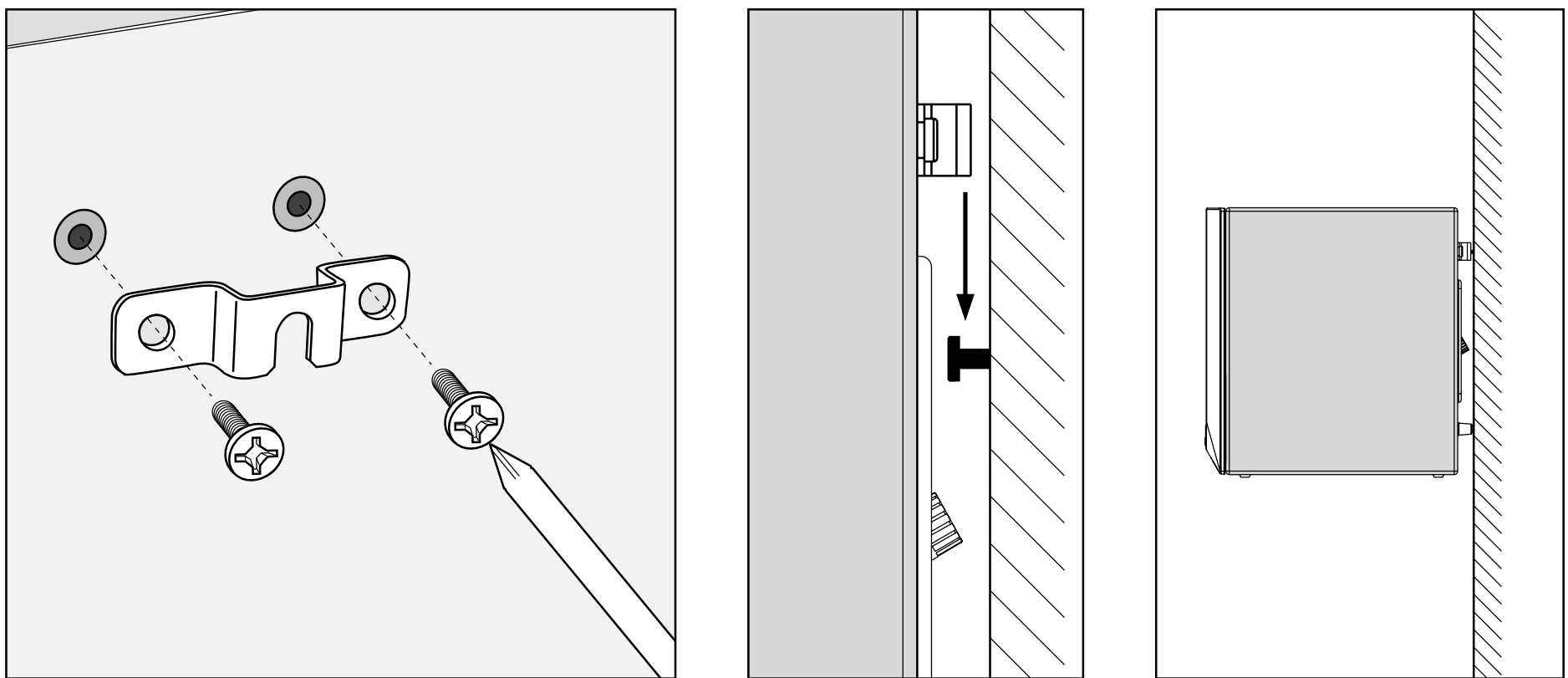


Figure 4

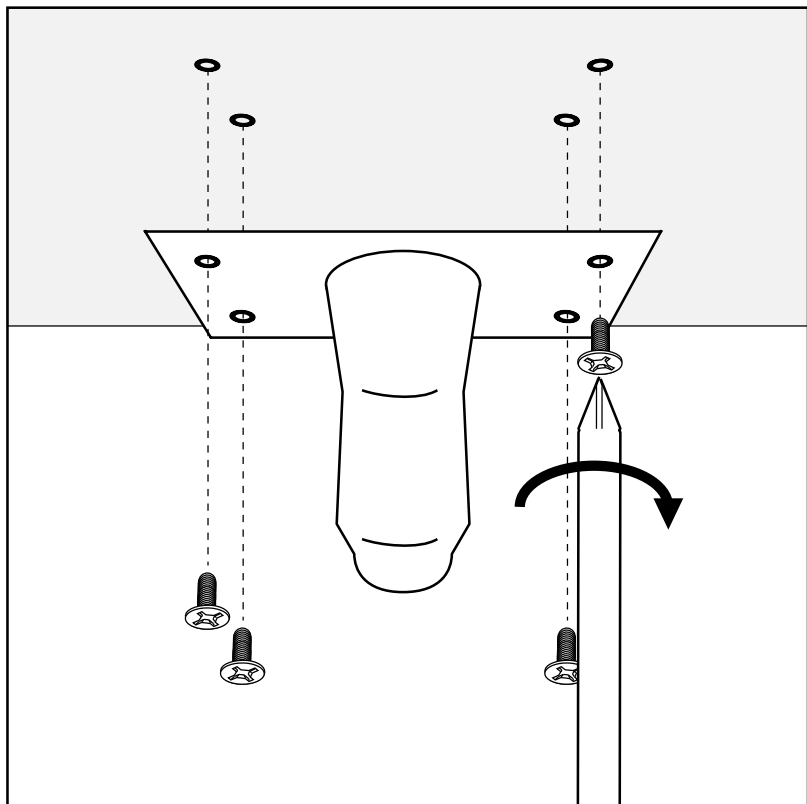


Figure 5a

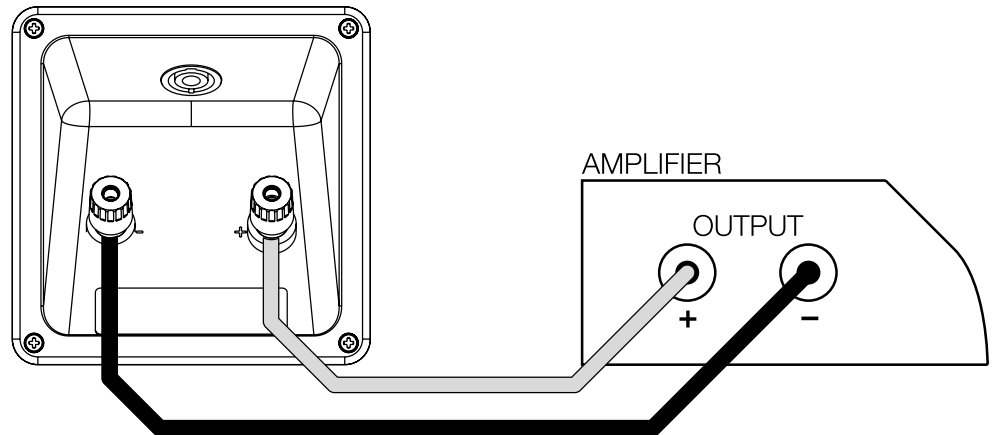
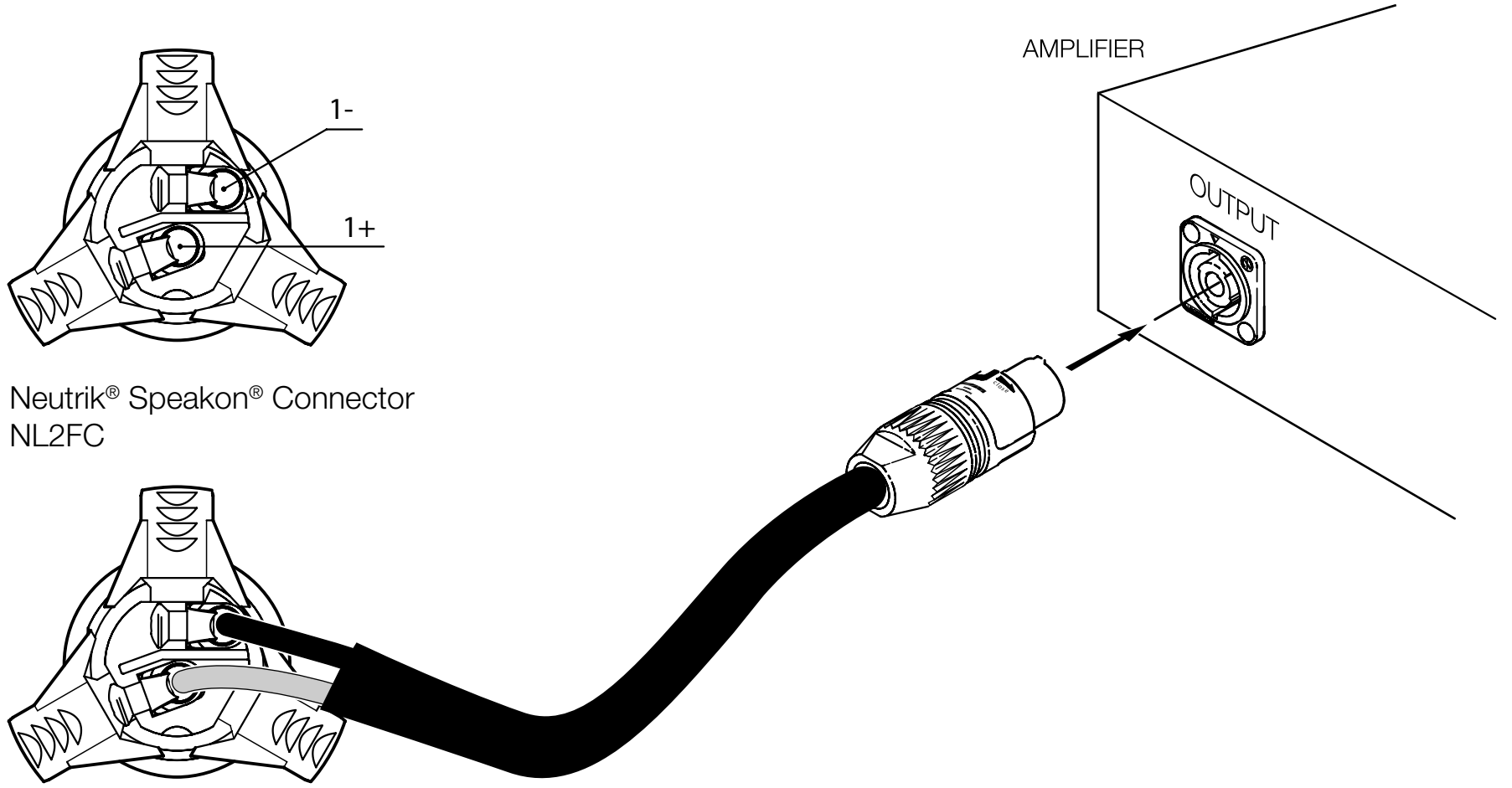


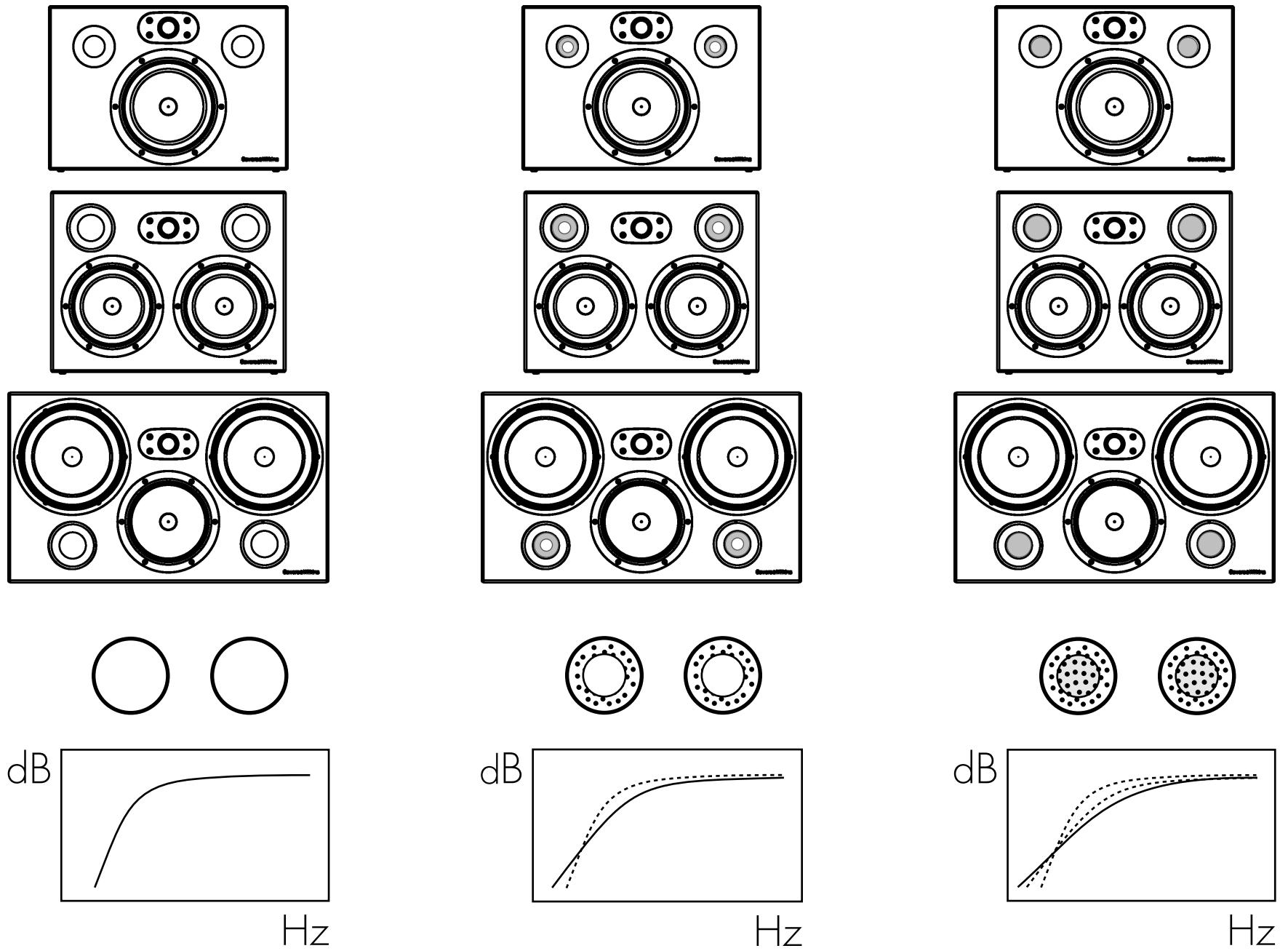
Figure 5b



Neutrik® Speakon® Connector
NL2FC

be at least 3 mm
smaller!

Figure 6



Contents

English

Installation manual	2
Limited Warranty.....	3

Français

Manuel d'utilisation	4
Garantie limitée.....	6

Deutsch

Bedienungsanleitung.....	7
Garantie	9

Español

Manual de instrucciones	10
Garantía limitada.....	12

Português

Manual de instalação ..	13
Garantia limitada.....	15

Italiano

Manuale di istruzioni ...	16
Garanzia limitata	18

Nederlands

Installatie Handleiding .	19
Garantie	21

Ελληνικά

Οδηγίες εγκατάστασης	22
Περιορισμένη εγγύηση.....	24

Русский

Руководство по эксплуатации	25
Ограниченная гарантия.....	27

Česky

Návod k použití.....	28
Záruka	30

Polski

Instrukcja użytkownika	31
Gwarancja	33

简体中文

用户手册	34
有限保修	35

繁體中文

用戶手冊	36
有限保修	37

EU Declaration of Conformity.....	40
-----------------------------------	----

Response Charts.....	41
----------------------	----

Technical Specifications	42–44
--------------------------------	-------

English

Installation manual

Dear customer,

Thank you for choosing Bowers & Wilkins. Please read this manual fully before unpacking and installing the product. It will help you to optimise its performance. B&W maintains a network of dedicated distributors in over 60 countries who will be able to help you should you have any problems your dealer cannot resolve.

Environmental Information



All B&W products are designed to comply with international directives on the Restriction of Hazardous Substances (RoHS) in electrical and electronic equipment and the disposal of Waste Electrical and Electronic Equipment (WEEE). These symbols indicate compliance and that the products must be appropriately recycled or processed in accordance with these directives. Consult your local waste disposal authority for guidance.

Carton Contents

Check in the carton for:

- 4 Adhesive rubber feet
- 2 Adhesive rubber spacers
- 2 Port plugs
- 1 Speakon® plug
- 2 Wall brackets
- 4 M6 bolts

Speaker Installation

CT700 Series speakers can either be installed within existing or custom designed home theatre system cabinets, or wall mounted using a variety of brackets.

If the speakers are to be installed within a cabinet it is important to ensure that it is capable of carrying their weight and that it is structurally sound. Significant vibration of the cabinet panels may seriously affect the subjective performance of the speakers. Figure 1 illustrates the installation of three CT700 Series speakers in a home theatre cabinet showing the recommended dimensions between the speakers and space around them.

Adhesive rubber feet are supplied for attachment to the underside of the speakers in order both to protect the cabinet finish and to reduce vibration. Attach one adhesive foot at each underside corner of the speakers.

If gaps wider than approximately 20mm (3/4 inch) remain around a speaker when it has been installed in a cabinet, the acoustic performance will be improved if the gaps are filled. Use carefully cut pieces of upholstery or acoustic foam to fill the gaps as far back as is practical and flush with the front panel of the speaker. Only use foam with an appropriate fire safety rating.

CT700 Series speakers can also be wall mounted using one of two methods.

Wall Brackets:

The speakers incorporate 4 M6 tapped inserts in their back panels for attachment of the two brackets supplied. Always use both brackets. Use the supplied M6 bolts to attach the brackets to the back of the speaker. The two supplied adhesive rubber spacers can be used to cushion the speaker against the wall. Figure 3 illustrates use of the brackets. Before using the brackets ensure that the wall and fixings are capable of supporting the weight of the speaker. B&W can accept no liability for any failure of wall and/or fixings.

Ball-joint Brackets:

The speakers incorporate 4 M6 tapped inserts in their undersides that enable the speakers to be wall-mounted using adjustable ball-joint style mounting brackets designed for 127mm x 69.9mm (5 in x 2.75 in) mounting hole centres. Your dealer or local B&W distributor will be able to advise you on the selection of appropriate brackets.

To attach a ball-joint style bracket to a CT700 Series speaker first securely attach the socket plate to the underside of the speaker. Figure 4 illustrates this procedure.

Once the socket plate is attached to the speaker, the assembly may be connected to the ball component attached to the wall. Ensure that the manufacturer's instructions for attaching the bracket to the wall are followed correctly and that the wall and fixings are capable of supporting the weight of the speaker. B&W can accept no liability for any failure of wall and/or fixings.

Regardless of the style of installation take care when lifting the speakers into position. They are unwieldy and heavy and best handled by two people working together.

The black fabric grilles are attached by magnets and may be removed if desired. Take care not to touch the drive units when removing or replacing the grilles.

Speaker Positioning

CT700 Series speakers used for the front left and right channels in a home theatre system should be positioned one either side of the screen on the horizontal centre-line. They should be within approximately 0.5m (20 in) of the sides of the screen to help keep the sound image in scale with the visual image. See Figures 1 and 2.

A CT700 Series speaker used for the centre channel in a home theatre system should be positioned centrally either directly above or below the screen. In the case of acoustically transparent screens, the centre channel speaker should be positioned centrally behind the screen.

CT700 Series speakers used for the surround channels in a home theatre system should be positioned above and to either side or behind the listening position.

Stray Magnetic Fields

The speaker drive units create stray magnetic fields that extend beyond the boundaries of the cabinet. We recommend you keep magnetically sensitive articles (CRT television and computer screens, computer discs, audio and video tapes, swipe cards and the like) at least 0.5m (20 in) from the speaker. LCD and plasma screens are not affected by magnetic fields.

Connections

All connections should be made with the equipment switched off.

CT700 Series speakers have a pair binding post connection terminals and one Neutrik® Speakon® connection socket on their rear panels. The binding post terminals provide quick and easy connection of stripped wires while the Speakon socket provides a more secure and reliable connection method.

If the binding post terminals are to be used, connect the positive cable to the red terminal and the negative cable to the black terminal. Incorrect connection can result in poor imaging and loss of bass. Figure 5a illustrates use of the binding post terminals

If the Speakon® option is to be used, disassemble the Speakon® plug as shown in Figure 5b, connect the positive cable to the terminal marked +1 and the negative cable to the terminal marked -1. Incorrect connection can result in poor imaging and loss of bass. Once the plug is reassembled it can be inserted into the socket and locked by twisting clockwise.

Ask your dealer for advice when selecting speaker cable. Keep its total impedance below the maximum recommended in the speaker specification and use a low inductance cable to avoid attenuation of high frequencies.

Neutrik® and the names of Neutrik® products referenced herein are either trademarks and/or service marks of Neutrik®.

Fine Tuning

Before fine tuning, make sure that all the connections in the installation are correct and secure.

If the bass seems uneven with frequency this will most probably be due to resonance modes in the listening room. Even small changes in the listening position can have a profound effect on how these resonances affect the sound. Try moving the listening position. The presence and position of large pieces of furniture can also influence resonance modes. If you want generally to reduce the volume of bass fit the foam plugs in the speakers' port tubes as illustrated in Figure 6.

If the sound is too bright, increasing the amount of soft furnishing in the room (heavier curtains for example) may help balance the sound. Conversely, reducing the amount of soft furnishing may help brighten a dull sound.

Some rooms suffer from "flutter echoes" – echoes that "bounce" between parallel room boundaries. Flutter echoes can colour the sound of the speakers in the room. Test for flutter echoes by standing in the middle of the room and clapping your hands. Flutter echoes

can be reduced by placing irregular shaped items or non-reflective surfaces, bookshelves, rugs or pictures for example, on one of the offending walls or floor.

Running-in Period

The performance of the speaker will change subtly during the initial listening period. If the speaker has been stored in a cold environment, the damping compounds and suspension materials of the drive units will take some time to recover their correct mechanical properties. The drive unit suspensions will also loosen up during the first hours of use. The time taken for the speaker to achieve its intended performance will vary depending on previous storage conditions and how it is used. As a guide, allow up to a week for the temperature effects to stabilise and 15 hours of average use for the mechanical parts to attain their intended design characteristics.

However, longer run-in periods (as long as a month) have been reported and there is evidence to suggest that this has little to do with the speaker changing and more to do with the listener getting used to the new sound. This is especially so with highly revealing speakers such as these where there may be a significant increase in the amount of detail compared with what the listener has previously been used to; the sound may at first appear too "up front" and perhaps a little hard. After an extended period of time the sound will seem to mellow, but without losing clarity and detail.

Aftercare

The cabinet surfaces usually only require dusting. If you wish to use an aerosol or other cleaner, remove the grille first by gently pulling it away from the cabinet. Spray aerosols onto the cleaning cloth, not directly onto the product. Test a small area first, as some cleaning products may damage some of the surfaces. Avoid products that are abrasive, or contain acid, alkali or anti-bacterial agents. Do not use cleaning agents on the drive units. The grille fabric may be cleaned with a normal clothes brush whilst the grille is detached from the cabinet. Avoid touching the drive units, especially the tweeter, as damage may result.

Limited Warranty

This product has been designed and manufactured to the highest quality standards. However, if something does go wrong with this product, B&W Group Ltd. and its national distributors warrant free of charge labour (exclusion may apply) and replacement parts in any country served by an official B&W distributor.

This limited warranty is valid for a period of five years from the date of purchase or two years for electronics including amplified loudspeakers.

Terms and Conditions

- 1 The warranty is limited to the repair of the equipment. Neither transportation, nor any other costs, nor any risk for removal, transportation and installation of products is covered by this warranty.

- 2 This warranty is only valid for the original owner. It is not transferable.
- 3 This warranty will not be applicable in cases other than defects in materials and/or workmanship at the time of purchase and will not be applicable:
 - a. for damages caused by incorrect installation, connection or packing,
 - b. for damages caused by any use other than correct use described in the user manual, negligence, modifications, or use of parts that are not made or authorised by B&W,
 - c. for damages caused by faulty or unsuitable ancillary equipment,
 - d. for damages caused by accidents, lightning, water, fire heat, war, public disturbances or any other cause beyond the reasonable control of B&W and its appointed distributors,
 - e. for products whose serial number has been altered, deleted, removed or made illegible,
 - f. if repairs or modifications have been executed by an unauthorised person.
- 4 This guarantee complements any national/regional law obligations of dealers or national distributors and does not affect your statutory rights as a customer.

How to claim repairs under warranty

Should service be required, please follow the following procedure:

- 1 If the equipment is being used in the country of purchase, you should contact the B&W authorised dealer from whom the equipment was purchased.
- 2 If the equipment is being used outside the country of purchase, you should contact the B&W national distributor in the country of residence who will advise where the equipment can be serviced. You can call B&W in the UK or visit our web site to get the contact details of your local distributor.

To validate your warranty, you will need to produce the warranty booklet completed and stamped by your dealer on the date of purchase. Alternatively, you will need the original sales invoice or other proof of ownership and date of purchase.

Français

Manuel d'utilisation

Cher Client,

Nous vous remercions d'avoir choisi Bowers & Wilkins. Veuillez lire soigneusement ce manuel avant de déballer et d'installer vos enceintes acoustiques. Il vous aidera à en obtenir les performances optimales. B&W est distribué dans plus de 60 pays dans le monde entier, par l'intermédiaire de distributeurs spécialement sélectionnés ; ceux-ci pourront vous aider à résoudre d'éventuels problèmes ignorés par votre revendeur.

Information sur la protection de l'environnement



Tous les produits B&W sont conçus en conformité totale avec les normes internationales concernant l'interdiction d'utilisation de certaines substances dangereuses (RoHs) dans les équipements électriques et électroniques, ainsi que la possibilité de recyclage des matériaux utilisés (WEEE, pour Waste Electrical and Electronic Equipment). Ces symboles indiquent la compatibilité avec ces directives, et le fait que les appareils peuvent être correctement recyclés ou traités dans le respect total de ces normes. Consultez l'organisme officiel de votre région pour le traitement des produits.

Vérification du contenu de l'emballage

Vérifiez que le carton contienne bien :

- 4 pieds en caoutchouc auto-adhésifs
- 2 entretoises en caoutchouc auto-adhésives
- 2 tampons pour évent
- 1 prise Speakon®
- 2 supports muraux
- 4 boulons M6

Installation des enceintes

Les enceintes CT700 Series peuvent être installées dans un meuble déjà existant ou conçu sur mesure, ou directement fixées au mur par l'intermédiaire d'une grande variété de supports.

Si les enceintes doivent être installées dans des meubles existants, il est important de s'assurer que ceux-ci sont capables de supporter leur poids et de ne pas en dégrader les performances sonores. Des vibrations significatives de leurs parois peuvent en effet affecter les performances subjectives des enceintes. La Figure 1 illustre l'installation de trois enceintes CT700 dans un meuble Home Cinema, avec l'indication des dimensions recommandées entre les enceintes et l'espace à prévoir tout autour d'elles.

Des pieds en caoutchouc, auto-adhésifs, sont fournis pour être fixés sous les enceintes dans le but de protéger les surfaces en contact et de réduire les vibrations. Fixez un de ces pieds à chaque angle inférieur de chaque enceinte.

Si des espaces supérieurs à environ 20 mm restent libres autour d'une enceinte lorsqu'elle a été installée dans le meuble, de meilleures performances acoustiques seront obtenues en remplissant ces espaces. Pour ce faire, découpez soigneusement des morceaux de tissu épais (tissu d'ameublement) ou d'amortissant acoustique, et remplissez les espaces restants le plus profondément possible, jusqu'à la surface affleurant le baffle avant des enceintes. N'utilisez que des matériaux répondant parfaitement aux normes anti-incendie.

Les enceintes CT700 peuvent également être directement fixées au mur selon les deux méthodes suivantes.

Supports muraux :

Les enceintes possèdent quatre inserts filetés M6 sur leur face arrière, pour fixation sur les deux supports muraux fournis. Toujours utiliser les deux supports ensemble. Utilisez les boulons M6 fournis pour fixer les supports à l'arrière de l'enceinte. Les deux entretoises en caoutchouc auto-adhésives fournies peuvent être utilisées pour caler parfaitement l'enceinte contre le mur. La Figure 3 illustre l'utilisation correcte de ces supports muraux. Avant que d'utiliser ces supports, assurez-vous bien que leur fixation sur le mur, et la structure de celui-ci sont capables de supporter le poids de l'enceinte. B&W ne pourra accepter la moindre réclamation suite à des dommages résultant d'un défaut de fixation ou du mur support.

Supports à rotule :

Les enceintes possèdent également quatre inserts filetés M6 sur leur base inférieure, qui permettront de les fixer au mur en utilisant un support spécial orientable à rotule, conçu pour des trous de fixation de 127 x 69,9 mm. Votre revendeur agréé ou distributeur local B&W vous donnera toutes les indications nécessaires pour le choix d'un tel support orientable parfaitement adapté.

Pour utiliser un tel support avec une enceinte CT700 Series, commencez par fixer soigneusement la base de ce support sous l'enceinte. La Figure 4 illustre cette étape du montage.

Une fois la base du support soigneusement fixée à l'enceinte, l'ensemble peut être relié à la rotule fixée sur le mur. Assurez-vous que les instructions du fabricant du support à rotule, quant à sa fixation correcte sur le mur, ont été parfaitement respectées, et que cette fixation tout comme la structure du mur sont capables de supporter le poids de l'enceinte. B&W ne pourra accepter la moindre réclamation suite à des dommages résultant d'un défaut de fixation ou du mur support.

Quel que soit le type d'installation choisi, prenez toutes les précautions requises lorsque vous orienterez l'enceinte dans sa position définitive. Compte tenu de sa taille et de son poids, nous vous recommandons vivement d'effectuer cette opération avec deux personnes travaillant ensemble.

Les grilles frontales en tissu noir sont maintenues en

place par des aimants, et peuvent ainsi être aisément ôtées, si désiré. Prenez soin de ne pas toucher les membranes des haut-parleurs quand vous enlevez ou remettez en place ces grilles frontales.

Choix de la position des enceintes

Les enceintes CT700 Series utilisées pour les deux canaux latéraux avant doivent être positionnées de part et d'autre de l'écran de projection, sur la même ligne horizontale. Elles doivent être éloignées d'environ 0,5 mètre des bords de l'écran afin de conserver un bon rapport vis-à-vis de la taille de l'image. Voir Figures 1 et 2.

Les enceintes CT700 Series utilisées à l'avant dans un système Home Cinema doivent être positionnées de la manière la plus centrale possible par rapport à l'image, ou le plus près possible du bord supérieur ou du bord inférieur de l'écran. Avec un écran de projection transparent acoustiquement, l'enceinte centrale avant doit être positionnée exactement au centre de celui-ci, derrière la surface de projection.

Les enceintes CT700 Series utilisées pour les canaux Surround arrière doivent être positionnées en hauteur, soit derrière, soit sur les côtés des spectateurs.

Champs magnétiques

Les haut-parleurs à l'intérieur de l'enceinte génèrent des champs magnétiques qui peuvent s'étendre au-delà du coffret de l'enceinte. Nous vous recommandons donc de tenir éloignés d'au moins 50 centimètres des enceintes les appareils sensibles à ces champs magnétiques (télévisions et moniteurs informatiques à tube cathodique CRT, cassettes et bandes magnétiques audio et vidéo, cartes magnétiques, etc.). Les écrans de type plasma et LCD ne sont pas affectés par ces champs magnétiques.

Branchements

Tous les branchements doivent être effectués les appareils étant tous éteints.

Les enceintes CT700 Series possèdent une paire de bornes de branchement, plus une prise Neutrik® Speakon®, sur leur face arrière. Les bornes vissantes constituent une méthode simple et rapide de branchement, même avec du fil dénudé, alors que la prise Speakon® garantit une liaison électrique plus fiable et mieux sécurisée.

Si vous utilisez les bornes vissantes, reliez le câble positif à la borne de couleur rouge, et le câble négatif à la borne de couleur noire. Une inversion de cette polarité peut se traduire par une mauvaise image stéréo et une perte de grave. La Figure 5a illustre l'utilisation correcte des bornes vissantes.

Si vous utiliser l'option de la prise Speakon®, désassembler la prise Speakon® comme illustré à la Figure 5b. Branchez le câble positif sur la broche repérée +1, et le câble négatif sur la borne repérée -1. Une inversion de cette polarité peut se traduire par une mauvaise image stéréo et une perte de grave. Une fois la prise réassemblée, elle peut être enfichée dans la prise de l'enceinte, puis verrouillée en la tournant dans le sens des aiguilles d'une montre.

Demandez conseil à votre revendeur pour le choix du câble utilisé. L'impédance totale de charge ne doit jamais être inférieure au minimum recommandé dans les spécifications, et le câble doit présenter une faible inductance, afin d'éviter toute atténuation des fréquences aiguës.

Neutrik® et les produits portant le nom ou la référence Neutrik® sont des marques déposées de Neutrik®.

Réglage fin

Avant de procéder à ces réglages, vérifiez que tous les branchements sont correctement effectués, dans toute l'installation, et fermement sécurisés.

Si les basses semblent déséquilibrées en fonction de leur fréquence, cela est certainement dû à des résonances parasites de la pièce d'écoute. De très légères modifications de la position d'écoute peuvent alors avoir une grande influence sur la manière dont ces résonances affectent la perception du son. Essayez donc de déplacer la position d'écoute. La présence et la position de meubles de taille importante peuvent également avoir une influence sur ces résonances. Si vous désirez tout de même réduire sensiblement le niveau du grave de manière permanente, utilisez les tampons fournis pour boucher les événements de décompression des enceintes, comme illustré sur la Figure 6.

Si le son paraît trop brillant, ajoutez des meubles ou éléments amortissants dans la pièce (par exemple, des tapis plus nombreux ou épais). Inversement, réduisez l'influence de tels éléments si le son semble trop sourd ou éteint.

Certaines salles souffrent d'un phénomène de « rebond » des sons, sorte d'écho dû au renvoi du son entre des murs parallèles. Ces échos (« flutter », en anglais) peuvent colorer le son de manière importante. Une réverbération trop importante peut être détectée en se tenant au centre de la pièce et en tapant dans ses mains. Un tel défaut peut être éliminé en multipliant les surfaces de formes irrégulières dans la pièce, avec, par exemple, une ou plusieurs bibliothèques ou des meubles de taille plus importante, ainsi que des tableaux ou tapisseries fixés sur les murs.

Assurez-vous que les enceintes sont fermement posées sur le sol. Utilisez les pointes pour transpercer la moquette si nécessaire, et réglez-les parfaitement pour compenser parfaitement toute inégalité du sol.

Période de rodage

Les performances d'une enceinte acoustique se modifient subtilement pendant une période de rodage initiale. Si l'enceinte a été stockée dans un environnement de faible température, ses composants amortissants et les suspensions des haut-parleurs vont demander un peu de temps avant de retrouver leurs qualités mécaniques optimales. De plus, ces suspensions vont également se « libérer » pendant les premières heures d'utilisation. Ce temps de rodage est variable, suivant la température de stockage et la manière dont vous utilisez les enceintes. En moyenne, comptez un week-end pour que les effets de la température se stabilisent, et une quinzaine d'heures

d'utilisation normale pour que tous les composants mécaniques atteignent le fonctionnement parfait correspondant à leur conception mécanique.

Cependant, des périodes plus longues (jusqu'à un mois) ont été relevées, mais il semble que cela soit dû un peu à cause du rodage des enceintes, et beaucoup parce que l'auditeur doit se familiariser avec le nouveau son ! C'est particulièrement le cas ici, avec des enceintes extrêmement définies, capables de reproduire un niveau de détail exceptionnellement élevé, plus que ce à quoi s'attendait l'auditeur ; simplement, au début, ce son peut sembler un tout petit peu « projeté » en avant et brillant. À la fin de la période de rodage, le son semblera plus neutre, sans rien perdre pour autant de ses qualités en terme de transparence et de sens du détail.

Entretien

Le corps même de l'enceinte ne nécessite qu'un dépoussiérage régulier. Si vous souhaitez utiliser un nettoyant particulier, par aérosol notamment, retirez la grille frontale en tirant doucement dessus. Pulvériser le produit nettoyant sur un chiffon, jamais directement sur l'enceinte. Faites d'abord un essai sur une petite surface peu visible, car certains produits nettoyants peuvent endommager les surfaces. Évitez systématiquement les produits abrasifs, ou contenant de l'acide, de l'alcali ou des agents anti-bactériens. N'utilisez absolument aucun produit nettoyant sur les haut-parleurs. La grille frontale peut être nettoyée simplement avec une brosse à habit, après l'avoir détachée de l'enceinte. Évitez de toucher les haut-parleurs, et tout spécialement le tweeter, sous peine de dommage irréversible.

Garantie limitée

Ce produit a été conçu et fabriqué en vertu des normes de qualité les plus rigoureuses. Toutefois, en cas de problème, B&W Group Ltd. et ses distributeurs nationaux garantissent une main d'œuvre (exclusions possibles) et des pièces de rechange gratuites dans tout pays desservi par un distributeur agréé de B&W.

Cette garantie limitée est valide pour une période de cinq ans à compter de la date d'achat ou une période de deux ans pour les composants électroniques, y compris les haut-parleurs amplifiés.

Conditions

- 1 La garantie est limitée à la réparation de l'équipement. Les frais de transport ou autres, les risques associés à l'enlèvement, au transport et à l'installation des produits ne sont pas couverts par cette garantie.
- 2 La garantie est exclusivement réservée au propriétaire d'origine et ne peut pas être transférée.
- 3 Cette garantie ne s'applique qu'aux produits faisant l'objet de vices de matériaux et/ou de construction au moment de l'achat et ne sera pas applicable dans les cas suivants :

- a. détériorations entraînées par une installation, connexion ou un emballage incorrect,
 - b. détériorations entraînées par un usage autre que l'usage correct décrit dans le manuel de l'utilisateur, la négligence, des modifications ou l'usage de pièces qui ne sont pas fabriquées ou agréées par B&W,
 - c. détériorations entraînées par un équipement auxiliaire défectueux ou qui ne convient pas,
 - d. détériorations résultant de : accidents, foudre, eau, chaleur, guerre, troubles de l'ordre public ou autre cause ne relevant pas du contrôle raisonnable de B&W ou de ses distributeurs agréés,
 - e. les produits dont le numéro de série a été modifié, effacé, éliminé ou rendu illisible,
 - f. les produits qui ont été réparés ou modifiés par une personne non autorisée.
- 4 Cette garantie vient en complément à toute obligation juridique nationale / régionale des revendeurs ou distributeurs nationaux et n'affecte pas vos droits statutaires en tant que client.

Comment faire une réclamation en vertu de la garantie

Veillez respecter la procédure ci-dessous, si vous souhaitez faire une réclamation sous garantie :

- 1 Si l'équipement est utilisé dans le pays d'achat, veuillez contacter le distributeur agréé de B&W qui a vendu l'équipement.
- 2 Si l'équipement est utilisé dans un pays autre que le pays d'achat, veuillez contacter le distributeur national B&W du pays de résidence, qui vous indiquera où vous pouvez faire réparer l'équipement. Vous pouvez appeler B&W au Royaume-Uni ou consulter notre site Web pour obtenir les coordonnées de votre distributeur local.

Afin de valider votre garantie, vous devrez présenter ce livret de garantie qui aura été rempli et tamponné par votre revendeur le jour de l'achat. En l'absence de ce livret, vous devrez présenter l'original de la facture commerciale ou une autre preuve d'achat et de la date d'achat.

Deutsch

Bedienungsanleitung

Sehr geehrte Kundin, sehr geehrter Kunde,

vielen Dank, dass Sie sich für die Marke Bowers & Wilkins entschieden haben. Bitte lesen Sie sich diese Bedienungsanleitung vor dem Auspacken und der Installation des Produktes genau durch. Dies wird Ihnen bei der optimalen Nutzung des Systems helfen. B&W liefert in über 60 Länder und verfügt über ein weites Netz erfahrener Distributoren, die Ihnen weiterhelfen, auch wenn der Händler Ihr Problem nicht lösen kann.

Umweltinformation



B&W-Produkte entsprechen den internationalen Richtlinien über die Beschränkung der Verwendung bestimmter gefährlicher Stoffe in Elektro- und Elektronikgeräten (Restriction of Hazardous Substances (kurz RoHS genannt)) und über Elektro- und Elektronik-Altgeräte (Waste Electrical and Electronic Equipment (WEEE)). Die durchgestrichene Mülltonne steht für deren Einhaltung und besagt, dass die Produkte ordnungsgemäß recycelt oder diesen Richtlinien entsprechend entsorgt werden müssen. Erkundigen Sie sich diesbezüglich bei der örtlichen Abfallentsorgung.

Kartoninhalt

Im Versandkarton liegen:

- 4 selbstklebende Gummifüße
- 2 selbstklebende Abstandshalter
- 2 Schaumstoffeinsätze für die Bassreflexöffnungen
- 1 Speakon®-Stecker
- 2 Wandhalterungen
- 4 M6-Schrauben

Installation der Lautsprecher

Die Lautsprecher der CT700-Serie können Sie in bereits existierende oder speziell konstruierte Schränke für Kinosysteme integrieren oder mit einer Reihe unterschiedlicher Halterungen an der Wand befestigen.

Sollen die Lautsprecher in einem Schrank installiert werden, so stellen Sie sicher, dass dieser auch stabil genug ist, um das Gewicht des Lautsprechers zu tragen. Starke Vibrationen durch die Wände des Schrankes können die subjektive Performance der Lautsprecher erheblich beeinträchtigen. In Figure (Abb.) 1 sehen Sie drei installierte Lautsprecher der CT700-Serie sowie die empfohlenen Abstände zwischen den Lautsprechern und dem Raum, der sie umgibt.

Zum Lieferumfang gehören selbstklebende Gummifüße, die zum Schutz des Gehäuses und zur Reduzierung von Vibrationen an der Unterseite der Lautsprecher befestigt werden können. Setzen Sie jeweils einen Gummifuß in jede Ecke des Lautsprecherbodens.

Ist ein Lautsprecher in einem Schrank installiert und sind die ihn umgebenden Zwischenräume größer als

20 mm, so lässt sich die akustische Performance durch Füllen der Zwischenräume verbessern. Nutzen Sie dazu sorgfältig ausgeschnittene Polster oder Akustikschaum. Verwenden Sie nur Schaumstoff, bei dem eine entsprechende Brandsicherheit gewährleistet ist.

Die Lautsprecher der CT700-Serie können auch an der Wand montiert werden. Dabei haben Sie folgende Möglichkeiten:

Wandhalterungen:

An der Lautsprecherrückseite befinden sich 4 M6-Gewindebohrungen, an denen die beiden zum Lieferumfang gehörenden Wandhalterungen befestigt werden können. Verwenden Sie stets beide Halterungen. Nutzen Sie die vier beiliegenden M6-Schrauben, um die Halterungen an der Lautsprecherrückseite zu befestigen. Figure (Abb.) 3 können Sie entnehmen, wie die Wandhalterungen einzusetzen sind. Stellen Sie vor dem Anbringen der Wandhalterungen sicher, dass die Wand und die Befestigungsmaterialien stabil genug sind, um das Gewicht des Lautsprechers zu tragen. B&W haftet nicht für Schäden, die durch Schwachpunkte in der Wand und/oder bei der Befestigung entstehen.

Wandhalterungen mit Kugelgelenk:

An der Lautsprecherunterseite befinden sich 4 M6-Gewindebohrungen, an denen einstellbare Wandhalterungen mit Kugelgelenk (ausgelegt auf einen Lochabstand von 127 x 69,9 mm) befestigt werden können. Ihr autorisierter B&W-Fachhändler berät Sie gerne bezüglich passender Wandhalterungen.

Möchten Sie zur Montage eines Lautsprechers der CT700-Serie eine Wandhalterung mit Kugelgelenk nutzen, so befestigen Sie zunächst die Montageplatte an der Lautsprecherunterseite. Siehe Figure (Abb.) 4.

Ist die Montageplatte am Lautsprecher befestigt, kann die Einheit mit der an der Wand befestigten Komponente mit Kugelkopf verbunden werden. Stellen Sie sicher, dass die Halterung entsprechend den Herstellerhinweisen an der Wand befestigt wird und dass die Wand und die Befestigungsmaterialien stabil genug sind, um das Gewicht des Lautsprechers zu tragen. B&W haftet nicht für Schäden, die durch Schwachpunkte in der Wand und/oder bei der Befestigung entstehen.

Für welche Art der Installation Sie sich auch entscheiden: Seien Sie vorsichtig, wenn Sie die Lautsprecher in Position bringen. Sie sind sperrig und schwer und sollten am besten von zwei Personen gehoben werden.

Die schwarzen Stoffabdeckungen werden über Magnete befestigt und können gegebenenfalls abgenommen werden. Berühren Sie beim Aufsetzen oder Abnehmen der Abdeckungen auf keinen Fall die Chassis.

Positionierung der Lautsprecher

Werden die Lautsprecher der CT700-Serie für die Frontkanäle eines Kinosystems genutzt, so platzieren Sie sie in der horizontalen Mittellinie links und rechts vom Bildschirm. Der Abstand der Lautsprecher zu den

Seiten des Bildschirms sollte ungefähr 0,5 m betragen, um das Klangbild optimal an das visuelle Bild anzupassen. Siehe Figures (Abb.) 1 und 2.

Wird ein Lautsprecher der CT700-Serie als Centerlautsprecher in einer Kinoanwendung eingesetzt, sollten Sie ihn mittig entweder direkt auf oder unter dem Bildschirm platzieren. Bei einer akustisch transparenten Leinwand ist der Centerlautsprecher mittig hinter der Leinwand zu positionieren.

Bei Einsatz als Surroundlautsprecher in einem Kinosystem sind die CT700-Lautsprecher über und an jeder Seite oder hinter der Hörposition zu platzieren.

Magnetische Streufelder

Die Lautsprecherchassis erzeugen ein magnetisches Streufeld, das über die Gehäusegrenzen hinaus reicht. Daher empfehlen wir, einen Mindestabstand von 0,5 m zwischen magnetisch empfindlichen Artikeln (CRT-Fernsehgeräten, Computerbildschirmen, Discs, Audio- und Videobändern, Scheckkarten usw.) und Lautsprecher zu bewahren. LCD- und Plasmabildschirme werden von magnetischen Streufeldern nicht beeinflusst.

Anschließen der Lautsprecher

Schalten Sie vor dem Anschließen alle Gerät ab.

Die Lautsprecher der CT700-Serie besitzen an der Rückseite ein Paar Schraubklemmen und einen Neutrik®-Speakon®-Anschluss. Über die Schraubklemmen kann die Verbindung schnell und einfach über abisolierte Kabel hergestellt werden, während der Speakon®-Anschluss eine sicherere und zuverlässige Anschlussart darstellt.

Um die Lautsprecher über die Schraubklemmen anzuschließen, verbinden Sie das positive Kabel mit der roten Schraubklemme und das negative Kabel mit der schwarzen Schraubklemme (siehe Figure (Abb.) 5a). Erfolgt der Anschluss nicht korrekt, so kann dies zu einem schlechten Klangbild und Bassverlusten führen.

Um die Lautsprecher über die Speakon®-Buchse anzuschließen, müssen Sie den Speakon®-Stecker wie in Figure (Abb.) 5b dargestellt auseinandernehmen und das positive Kabel an +1 und das negative Kabel an -1 anschließen. Erfolgt der Anschluss nicht korrekt, so kann dies zu einem schlechten Klangbild und Bassverlusten führen. Ist der Stecker wieder zusammgebaut, so kann er in die Buchse gesteckt und durch Drehen im Uhrzeigersinn befestigt werden.

Neutrik® und die Namen von Neutrik®-Produkten werden hierin als Waren- und/oder als Servicezeichen von Neutrik® genutzt.

Feinabstimmung

Vergewissern Sie sich vor der Feinabstimmung Ihres Systems noch einmal, dass alle Verbindungen richtig hergestellt wurden und alle Kabel ordnungsgemäß angeschlossen sind.

Steht das Bassniveau nicht im Einklang mit der Frequenz, so ist dies auf starke Resonanzen im Raum zurückzuführen. Selbst kleinste Änderungen bei der Lautsprecherpositionierung bzw. in der Hörposition können eine erhebliche Wirkung auf die wahrgenom-

mene Klangqualität haben. So ändert sich die Klangqualität beispielsweise, wenn Sie die Hörposition verändern oder die Lautsprecher an eine andere Wand gestellt werden. Auch das Vorhandensein großer Möbelstücke und deren Position können erhebliche Auswirkungen haben. Möchten Sie das Bassniveau generell reduzieren, setzen Sie die Schaumstoffeinätze in die Bassreflexöffnungen der Lautsprecher (siehe Figure (Abb.) 6).

Ist der Klang zu schrill, hilft die Verwendung weicher Einrichtungsgegenstände (wie z.B. schwerer Vorhänge). Umgekehrt sollte man bei dumpfem, leblosem Klang die Verwendung solcher Einrichtungsgegenstände auf ein Minimum reduzieren.

In einigen Räumen treten Flatterechos – also Echos, die zwischen parallelen Wänden mehrfach hin und her reflektiert werden – auf. Flatterechos können den Klang der Lautsprecher im Raum verfälschen. Prüfen Sie den Raum auf Mehrfachechos, indem Sie sich in die Mitte des Raumes stellen und in die Hände klatschen. Flatterechos können durch unregelmäßige Gegenstände oder nicht-reflektierende Oberflächen, Regale, Bilder usw. an einer der parallelen Wände reduziert werden.

Einlaufphase

In der Einlaufphase gibt es feine Unterschiede in der Wiedergabequalität des Lautsprechers. Wurde er in einer kühlen Umgebung gelagert, so wird es einige Zeit dauern, bis die Dämpfungskomponenten und die für die Aufhängung der Chassis eingesetzten Werkstoffe ihre optimalen mechanischen Eigenschaften besitzen. Die Aufhängung der Chassis wird mit den ersten Betriebsstunden beweglicher. Die Zeit, die der Lautsprecher benötigt, um seine maximale Leistungsfähigkeit zu entwickeln, schwankt abhängig von den vorherigen Lager- und Einsatzbedingungen. Grundsätzlich kann man sagen, dass es eine Woche dauert, bis sich die Lautsprecher nach Temperatureinwirkungen stabilisiert haben. 15 Betriebsstunden sind erforderlich, bis die mechanischen Teile ihre Funktion, wie bei der Konstruktion festgelegt, erfüllen können.

Jedoch ist uns schon von längeren Einlaufphasen (bis zu einem Monat) berichtet worden. Man kann aber davon ausgehen, dass dieser Eindruck eher mit dem Hörer zu tun hat, der aufgrund der hochwertigen Klangqualität dieser Lautsprecher jetzt Details wahrnimmt, die vorher nicht zu hören waren. Der Klang mag ihm zunächst vielleicht etwas hart erscheinen. Aber nach geraumer Zeit wird er weicher, ohne dabei an Klarheit und Detailtreue zu verlieren.

Pflege

Die Gehäuseoberfläche muss in der Regel nur abgestaubt werden. Bei Verwendung eines Aerosol- oder sonstigen Reinigers entfernen Sie zunächst vorsichtig die Abdeckung vom Gehäuse. Sprühen Sie den Reiniger auf ein Tuch, niemals direkt auf das Gehäuse. Testen Sie es zunächst an einer kleinen, unauffälligen Stelle, da einige Reinigungsprodukte die Oberfläche beschädigen können. Verwenden Sie keine aggressiven Produkte und auch nicht solche, die säure- oder alkalihaltig oder antibakteriell sind. Verwenden Sie für

die Chassis keine Reinigungsmittel. Der Stoff kann nach dem Entfernen der Abdeckung mit einer normalen Kleiderbürste gereinigt werden. Vermeiden Sie es, die Lautsprecherchassis zu berühren, da dies, vor allem beim Hochtöner, zu Beschädigungen führen kann.

Garantie

Dieses Produkt wurde nach den höchsten Qualitätsstandards entwickelt und hergestellt. Sollte dennoch der unwahrscheinliche Fall eintreten, dass Sie als Kunde Grund zur Reklamation haben, werden die B&W Group Ltd. und ihre nationalen Vertriebsorganisationen das fehlerhafte Produkt ohne Berechnung der Arbeits- und Materialkosten (abgesehen von einigen Ausnahmen) in jedem Land, in dem eine offizielle B&W-Vertriebsorganisation vertreten ist, reparieren.

Die Garantiezeit beträgt fünf Jahre ab Kaufdatum bzw. zwei Jahre auf Aktivlautsprecher und elektronische Bauteile. Beachten Sie auch die Garantiebedingungen der B&W Group Germany GmbH.

Garantiebedingungen

1. Die Garantie ist auf die Reparatur der Geräte beschränkt. Weder der Transport noch sonstige Kosten, noch das Risiko des Ausbaus, des Transports und der Installation der Produkte wird von dieser Garantie abgedeckt.
2. Diese Garantie gilt nur für Fabrikations- und/oder Materialfehler, die bereits zum Zeitpunkt des Kaufs vorlagen und nicht:
 - a. bei Schäden durch unfachmännische Installation, falsches Anschließen oder unsachgemäßes Verpacken,
 - b. bei Schäden, die auf einen nicht in der Bedienungsanleitung genannten Einsatzzweck, auf Fahrlässigkeit, Modifikationen oder die Verwendung von Teilen zurückzuführen sind, die nicht von B&W hergestellt bzw. zugelassen wurden,
 - c. bei Schäden durch defekte oder ungeeignete Zusatzgeräte,
 - d. bei Schäden durch Unfälle, Blitzschlag, Wasser, Feuer, Hitze, Krieg, öffentliche Unruhen oder sonstige Ereignisse, die nicht der Kontrolle von B&W und seinen Vertriebsorganisationen unterliegen,
 - e. für Produkte, deren Seriennummern geändert, gelöscht, entfernt oder unleserlich gemacht wurden,
 - f. wenn Reparaturen oder Modifikationen von einem Nichtfachmann durchgeführt wurden.
3. Diese Garantie ergänzt die nationalen/regionalen gesetzlichen Verpflichtungen der Händler bzw. der nationalen Vertriebsorganisationen und schränkt in keiner Weise die gesetzlichen Rechte, die Sie als Kunde haben, ein.

Inanspruchnahme von Garantieleistungen

Sollten Sie unseren Service in Anspruch nehmen müssen, gehen Sie bitte folgendermaßen vor:

1. Befindet sich das Gerät in dem Land, in dem Sie es gekauft haben, setzen Sie sich mit Ihrem autorisierten B&W-Fachhändler in Verbindung.
2. Befindet sich das Gerät außerhalb des Landes, in dem Sie es gekauft haben, wenden Sie sich bitte an die nationale B&W-Vertriebsorganisation des Landes, in dem Sie leben. Diese wird Ihnen Auskunft darüber geben, wo Sie das Gerät reparieren lassen können. Die Adresse der für das jeweilige Land zuständigen Vertriebsorganisation erhalten Sie bei B&W in Großbritannien oder über unsere Webseite.

Garantieleistungen werden nur nach Vorlage des Garantie-Booklets (vollständig ausgefüllt und mit dem Händlerstempel und dem Kaufdatum versehen) erbracht. Alternativ können Sie die Originalrechnung oder einen anderen, mit Kaufdatum versehenen Beleg einreichen, der Sie als Eigentümer des Gerätes ausweist.

Español

Manual de instrucciones

Estimado cliente:

Gracias por elegir Bowers & Wilkins. Le rogamos que lea la totalidad de este manual antes de desembalar e instalar el producto ya que ello le ayudará a optimizar las prestaciones de este último. B&W mantiene una red de importadores altamente motivados en más de 60 países que podrán ayudarle en el caso de que se produzca algún problema que no pueda ser resuelto por su distribuidor especializado.

Información Relativa a la Protección del Medio Ambiente



Los productos B&W han sido diseñados para satisfacer la normativa internacional relativa a la Restricción del Uso de Sustancias Peligrosas (RoHS) en equipos eléctricos y electrónicos y la eliminación de Desperdicios Relacionados con Equipos Eléctricos y Electrónicos (WEEE). El símbolo con el cubo de la basura indica el pleno cumplimiento de estas directrices y que los productos correspondientes deben ser reciclados o procesados adecuadamente en concordancia con las mismas.

La Caja del Embalaje Contiene

Verifique que en el embalaje figuren los siguientes elementos:

- 4 pies de goma autoadhesivos
- 2 separadores de goma autoadhesivos
- 2 tapones para los puertos bass-reflex
- 1 clavija Speakon®
- 2 soportes de pared
- 4 tornillos M6

Instalación de las Cajas Acústicas

Las cajas acústicas de la Serie CT700 pueden instalarse en los muebles utilizados por sistemas de Cine en Casa ya existentes o hechos a medida, así como en paredes mediante una extensa variedad de soportes.

Si las cajas acústicas van a ser instaladas en el interior de un mueble, es importante asegurarse de que sea capaz de soportar el peso de las mismas y que su estructura no sea inadecuada para el sonido. La presencia de una vibración significativa en los paneles del mueble puede afectar negativamente las prestaciones subjetivas de las cajas acústicas. La Figura 1 ilustra la instalación de tres cajas acústicas de la Serie CT700 en un mueble para aplicaciones de Cine en Casa mostrando las dimensiones recomendadas entre aquéllas y el espacio que las rodea.

Los pies de goma autoadhesivos se suministran para ser colocados en la base de las cajas acústicas con la finalidad tanto de proteger el acabado de las mismas como de reducir potenciales vibraciones. Coloque un

pie autoadhesivo en cada una de las esquinas de la base de la caja acústica.

Si en el momento de instalar una caja en el interior del mueble quedan espacios vacíos de más de 20 mm alrededor de la misma, las prestaciones acústicas mejorarán si dichos espacios son rellenados. Utilice piezas de tapiz o de espuma cuidadosamente cortadas para rellenar los espacios vacíos de un modo que resulte práctico y a la vez permita una buena nivelación con el panel frontal de la caja. Utilice únicamente espuma que cumpla la legislación local contra incendios.

Las cajas acústicas de la Serie CT700 también pueden montarse en pared utilizando uno de los dos métodos siguientes:

Soportes de Pared:

Las cajas incorporan 4 inserciones para tornillos M6 en sus paneles posteriores con el fin de fijar los dos soportes suministrados de serie. Utilice siempre los dos soportes. Utilice los tornillos M6 para fijar los soportes al panel posterior de la caja. Los dos separadores de goma autoadhesivos suministrados de serie pueden utilizarse para hacer de colchón de la caja contra la pared. La Figura 3 ilustra el uso de los soportes. Antes de utilizar los soportes, asegúrese de que tanto la pared como las fijaciones disponibles sean capaces de soportar el peso de la caja acústica. B&W no aceptará ninguna reclamación relacionada con fallos en la pared y/o en las fijaciones.

Soportes de Rótula:

Las cajas incorporan 4 inserciones para tornillos M6 en su base con el fin de permitir la instalación en pared con ayuda de soportes de rótula ajustables diseñados para su empleo con orificios de montaje de 127x69'9 mm. Tanto su detallista como su importador local de B&W deberían estar en condiciones de aconsejarle para seleccionar los soportes más adecuados.

Para montar un soporte de rótula a una caja acústica de la Serie CT700, fije en primer lugar sólidamente la placa del mismo en la base de la caja. La Figura 4 ilustra este proceso.

Una vez que la placa del soporte ha sido fijada a la caja, el conjunto puede unirse al sistema de rótula fijado a la pared. Asegúrese de que las instrucciones del fabricante relativas a la fijación del soporte a la pared se sigan a rajatabla y que las fijaciones de la pared puedan soportar el peso de la caja acústica.

Independientemente del estilo de instalación por el que se opte, hay que ser especialmente cuidadoso en el momento de levantar las cajas acústicas para situarlas en su posición. Puesto que las mismas son pesadas y poco manejables, lo mejor es que el proceso sea realizado por dos personas.

La tela negra de las rejillas está fijada por imanes, pudiendo retirarse en caso de que así se desee. En el momento de retirar las rejillas o volver a colocarlas en su sitio procure no tocar los altavoces.

Colocación de la Cajas Acústicas

Las cajas acústicas de la Serie CT700 utilizadas para los canales principales de un sistema de Cine en Casa deberían colocarse en ambos lados de la pantalla de visualización a lo largo de la línea horizontal central que las une. Deberían situarse a un máximo de 0'5 metros de cada cara para garantizar que la imagen sonora guarde la proporción con la visual. Vea al respecto las Figuras 1 y 2.

Una caja acústica de la Serie CT700 utilizada para el canal central de un sistema de Cine en Casa debería colocarse en una posición central directamente encima o debajo de la pantalla de visualización. En el caso de que se utilice una pantalla acústicamente transparente, la caja acústica central debería colocarse en una posición central detrás de dicha pantalla.

Las cajas acústicas de la Serie CT700 utilizadas para los canales de efectos de un sistema de Cine en Casa deberían colocarse ligeramente elevadas con respecto a los oídos del oyente bien a ambos lados bien detrás de este último.

Campos Magnéticos Parásitos

Los altavoces de las cajas acústicas crean campos magnéticos parásitos que se extienden más allá de las fronteras físicas del recinto. Es por ello que le recomendamos que aleje todos aquellos objetos magnéticamente sensibles (pantallas de televisor y ordenador basadas en tubos de rayos catódicos, discos de ordenador, cintas de audio y vídeo, tarjetas con banda magnética y cosas por el estilo) al menos 0'5 metros de la caja acústica. Las pantallas de plasma y LCD no son afectadas por los campos magnéticos.

Conexiones

Todas las conexiones deberían realizarse con el equipo desconectado.

Las cajas acústicas de la Serie CT700 incorporan una pareja de terminales de conexión convencionales y uno de tipo Neutrik® Speakon® en sus paneles posteriores. Los terminales estándar garantizan una conexión rápida y fácil de cables pelados mientras que los conectores Speakon® proporcionan un método de conexión más seguro y fiable.

Si se van a utilizar los terminales de conexión convencionales, conecte el cable positivo al terminal rojo y el cable negativo al terminal negro. Una ejecución incorrecta de estas conexiones tendrá por resultado una pérdida de graves y una imagen sonora sensiblemente menos creíble. La Figura 5a ilustra el uso de los terminales de conexión estándar.

Si se elige la opción Speakon®, desmonte la clavija Speakon® tal y como se muestra en la Figura 5b, conecte el cable positivo al terminal marcado como +1 y el cable negativo al terminal marcado como -1. Al igual que en la conexión estándar, una ejecución incorrecta de estas conexiones tendrá como resultado una pérdida de graves y una imagen sonora sensiblemente menos creíble. Una vez que la clavija

haya sido montada por completo, podrá insertarla en su correspondiente toma y fijarla girándola en sentido horario.

Consulte a su distribuidor para que le aconseje a la hora de elegir el cable de conexión. Mantenga siempre la impedancia total por debajo del máximo recomendado en las características técnicas y utilice un cable de baja inductancia para evitar que se produzcan atenuaciones en las frecuencias más altas.

Neutrik® y los nombres de los productos en los que se haga referencia el nombre de Neutrik® son marcas y/o marcas comerciales registradas de Neutrik®.

Ajuste Fino

Antes de proceder al ajuste fino, verifique cuidadosamente que todas las conexiones de la instalación sean correctas y seguras.

Si la respuesta en graves se desestabiliza a menudo, lo más probable es que se deba a la presencia de modos de resonancia en la sala de escucha. Incluso pequeños cambios en la posición de escucha pueden tener un efecto profundo en la manera en que dichas resonancias afectan al sonido. Intente cambiar la ubicación del punto de escucha. La presencia y posición de muebles y objetos de gran tamaño en la sala también puede influir en la generación de modos de resonancia. Si desea reducir el nivel general de graves, coloque los tapones de espuma en los puertos de las cajas acústicas tal y como se muestra en la Figura 6.

Si el sonido es demasiado brillante (léase chillón), el aumento de la cantidad de materiales blandos (generalmente fonoabsorbentes) presentes en la sala (por ejemplo, cortinas más pesadas) puede ayudar a equilibrar el sonido. Por el contrario, si se reduce la presencia de los citados materiales se conseguirá incrementar el nivel de brillo (en suma, la vitalidad) de un sonido apagado y carente de vida.

Algunas salas se ven afectadas por lo que se denomina "eco flotante", es decir ecos que "rebotan" entre paredes paralelas de las mismas. Los ecos flotantes pueden colorear el sonido de las cajas acústicas instaladas en la sala. Compruebe si en la sala de escucha hay ecos flotantes situándose de pie en el centro de la misma, aplaudiendo rápidamente y escuchando a continuación para detectar si se producen repeticiones rápidas de los aplausos. Para reducir dicho eco, coloque objetos de forma irregular o superficies no reflectantes (como por ejemplo tapetes, cuadros o estanterías repletas de libros) en el suelo o en una de las paredes afectadas.

Período de Rodaje

Las prestaciones de la caja acústica cambiarán de manera sutil durante el período de escucha inicial. Si la caja acústica ha estado almacenada en un ambiente frío, tanto los materiales absorbentes y de amortiguamiento como los que forman parte de los sistemas de suspensión de los diferentes altavoces tardarán cierto tiempo en recuperar sus propiedades mecánicas correctas. Las suspensiones de los altavoces también se relajarán durante las primeras

horas de uso. El tiempo que la caja acústica necesite para alcanzar las prestaciones para las que fue diseñada variará en función de las condiciones de almacenamiento previas de la misma y de cómo se utilice. A modo de guía, deje transcurrir una semana para la estabilización térmica de la caja y unas 15 horas de uso en condiciones normales para que las partes mecánicas de la misma alcancen las características de funcionamiento para las que fueron diseñadas.

No obstante, hay constancia de períodos de rodaje más largos (del orden de un mes) y las evidencias suficientes para sugerir que ello tiene poco que ver con cambios en la caja acústica y bastante con la adaptación del usuario al nuevo sonido proporcionado por la misma. Esto resulta bastante cierto en cajas acústicas con un elevado poder resolutivo, como por ejemplo las de la Serie CT700, hasta el punto de que puede producirse un aumento significativo del nivel de detalle en comparación con el que estaba acostumbrado a percibir el usuario; en un primer momento, el sonido puede aparecer excesivamente "adelantado" y quizá un poco duro. Después de un largo período de tiempo, el sonido parecerá más suave aunque sin perder claridad ni detalle.

Cuidado y Mantenimiento

Por regla general, la superficie del recinto sólo requiere que se le quite el polvo. Si desea utilizar un limpiador de tipo aerosol, retire en primer lugar cuidadosamente las rejillas protectoras y aléjelas del recinto. Rocíe sobre la gamuza limpiadora, nunca directamente sobre el recinto. Pruebe en primer lugar con un área reducida ya que algunos productos de limpieza pueden dañar ciertas superficies. Evite utilizar productos que sean abrasivos o contengan ácido, álcali o agentes antibacterianos. No utilice agentes de limpieza en los altavoces. La tela de las rejillas protectoras puede limpiarse con un cepillo normal para la ropa mientras aquéllas estén separadas del recinto. Evite tocar los altavoces, en especial el tweeter, ya que podría provocar daños en los mismos.

Garantía limitada

Este producto ha sido diseñado y fabricado de acuerdo con las más altas normas de calidad. No obstante, si hallara algún desperfecto B&W Group Ltd. y sus distribuidores nacionales garantizan, sin coste alguno para usted, la mano de obra (es posible que haya excepciones) y la reposición de piezas en cualquier país donde se cuente con un distribuidor autorizado de B&W.

Esta garantía limitada es válida por un período de cinco años desde la fecha de compra y de dos años para las partes electrónicas, incluyendo sistemas de altavoces amplificados.

Términos y condiciones

- 1 Esta garantía está limitada a la reparación del equipo. La garantía no cubre ni el transporte, ni otros costes, ni ningún riesgo por traslado, transporte e instalación de los productos.

- 2 La garantía será aplicable exclusivamente para el propietario original. No es transferible.
- 3 Esta garantía tendrá validez solamente si se trata de materiales defectuosos y/o de fabricación existentes en el momento de la compra, y no será válida en los siguientes casos:
 - a. daños causados por instalación, conexión o embalaje inapropiados,
 - b. daños causados por uso inapropiado que no se corresponda con el uso correcto tal como se describe en el manual del usuario, negligencia, modificaciones o la utilización de piezas no originales de fábrica o no autorizadas por B&W,
 - c. daños causados por equipos auxiliares defectuosos o inapropiados,
 - d. daños causados por accidentes, relámpagos, agua, incendios, calor, guerra, disturbios sociales u otra causa ajena al control razonable de B&W y de sus distribuidores autorizados,
 - e. productos cuyo número de serie haya sido modificado, borrado, retirado o convertido en ilegible,
 - f. si una persona no autorizada ha efectuado alguna reparación o modificación en el producto.
- 4 Esta garantía complementa cualquier obligación legal a nivel nacional/regional de concesionarios o distribuidores nacionales y, como cliente, no afecta a sus derechos estatutarios.

Cómo solicitar reparaciones bajo garantía

En caso de ser necesaria alguna revisión, siga el siguiente procedimiento:

- 1 Si está usando el equipo en el país en que fue adquirido, debería contactar con el concesionario autorizado de B&W en donde lo adquirió.
- 2 Si el equipo está siendo utilizado fuera del país en que fue adquirido, debería contactar con el distribuidor nacional de B&W correspondiente al país donde reside, que le asesorará sobre el lugar al que enviarlo para que pueda ser revisado. Para obtener información sobre cómo contactar con su distribuidor local, puede llamar a B&W en el Reino Unido o visitar nuestro sitio web.

Para validar su garantía, deberá mostrar el folleto de garantía debidamente cumplimentado y con la fecha de compra estampada por su concesionario. De lo contrario, tendrá que mostrar la factura de venta original u otro comprobante que demuestre su propiedad y la autenticidad de su fecha de compra.

Português

Manual de instalação

Caro cliente,

Obrigado por ter escolhido Bowers & Wilkins. Leia por favor a totalidade deste manual antes de desembalar e instalar o equipamento. Ele vai ajudar na optimização do desempenho. A B&W mantém uma rede de distribuidores especializados em mais de 60 países, que o podem ajudar na resolução de qualquer problema que não possa ser solucionado pelo revendedor.

Informação Ambiental



Todos os equipamentos B&W são projectados para estarem de acordo com as directivas internacionais sobre restrições de utilização de substâncias perigosas em equipamentos eléctricos e electrónicos e sobre a eliminação de equipamento eléctrico e electrónico. Estes símbolos indicam a conformidade e a necessidade de que os equipamentos sejam reciclados ou processados de forma adequada de acordo com estas directivas. Consulte o seu município ou a empresa de tratamento de resíduos urbanos para orientação.

Conteúdo da caixa

Verifique se a caixa contém:

- 4 pés adesivos em borracha
- 2 espaçadores adesivos em borracha
- 2 portas de ligação
- 1 Ficha Speakon®
- 2 suportes de parede
- 4 parafusos M6

Instalação de colunas

As colunas da série CT700 podem ser colocadas em instalações existentes ou em sistemas home theatre projectados à medida, ou montadas na parede usando uma grande variedade de suportes.

Se a coluna se destinar a ser instalada no interior de um móvel é importante assegurar-se de que este consegue suportar o peso e apresenta uma estrutura forte. Uma vibração significativa dos painéis pode afectar seriamente o desempenho subjectivo das colunas. A figura 1 ilustra a instalação de três colunas da série CT700 num auditório doméstico apresentando as medidas recomendadas para o afastamento entre as colunas e o espaço envolvente.

São fornecidos pés de borracha adesivos para colocação na parte inferior das colunas, para protecção do acabamento das colunas e para reduzir a vibração. Coloque um pé adesivo na parte inferior a cada um dos cantos.

Se ficarem espaços vazios superiores a 20mm em volta das colunas depois de colocadas num móvel, o desempenho acústico será melhorado se os espaços forem cheios. Use peças de espuma acústica, ou de outro material do mesmo tipo, para encher os espaços o mais possível até à parte posterior e de

forma a que o material fique alinhado com a parte frontal. Use material não inflamável.

As colunas da série CT700 podem também ser montadas na parede usando um dos métodos seguintes.

Suportes:

As colunas apresentam 4 roscas M6 inseridas no painel posterior para fixação dos dois suportes fornecidos. Use sempre ambos os suportes fornecidos. Use os parafusos M6 fornecidos para fixar o suporte à parte posterior da coluna. Os dois espaçadores adesivos fornecidos podem ser usados para encostar a coluna à parede. A figura 3 ilustra a utilização destes suportes. Antes de usar estes dispositivos assegure-se de que as paredes e as fixações suportam o peso da coluna. A B&W não pode aceitar qualquer responsabilidade pela falha da parede e/ou das fixações.

Suportes articulados:

As colunas apresentam 4 roscas M6 cobertas na parte inferior que permitem a fixação da coluna a um suporte de parede com junta esférica orientável que apresente um espaçamento de 127mm x 69,9mm entre o centro dos furos. O seu revendedor ou distribuidor B&W podem ajudar na selecção dos suportes adequados.

Para ligar um suporte com junta esférica a uma coluna da série CT700, fixe em primeiro lugar o suporte à parte inferior da coluna. A figura 4 ilustra este procedimento.

Uma vez ligada a placa do suporte à coluna, o conjunto pode então ser ligado à parte da esfera já fixada à parede. Assegure-se de que são respeitadas as instruções do fabricante sobre a ligação do suporte à parede e que estas fixações suportam o peso da coluna. A B&W não pode aceitar qualquer responsabilidade pela falha da parede e/ou das fixações.

Qualquer que seja o estilo da instalação tenha cuidado quando levanta as colunas para as colocar no suporte. Elas são pesadas e pouco manejáveis, pelo que será mais fácil a sua colocação por duas pessoas em conjunto.

As grelhas de protecção são fixadas por ímanes e podem ser retiradas quando se pretender. Tome cuidado para não tocar nos altifalantes quando retira ou coloca as grelhas.

Posição das colunas

As colunas da série CT700 usadas para os canais frontais esquerdo e direito num sistema home theatre devem ser colocadas uma de cada lado do ecrã sobre uma linha horizontal central. Elas devem ficar a cerca de 0,5 metros dos lados do ecrã para manter a imagem sonora à escala da imagem visual. Veja figuras 1 e 2.

A coluna da série CT700 usada com o canal central num sistema home theatre deverá ser colocada ao centro, imediatamente acima ou abaixo do ecrã. No caso de ecrãs acusticamente transparentes, a coluna

do canal central deve ser colocada ao centro na parte posterior do ecrã.

As colunas da série CT700 usadas com os canais surround num sistema home theatre devem ser colocadas acima e ao lado ou atrás da posição de audição.

Campos magnéticos parasitas

Os altifalantes das colunas criam campos magnéticos parasitas que se estendem para fora dos limites da caixa. Recomendamos que mantenha os equipamentos sensíveis a campos magnéticos (cinescópios de TV e de computador, discos de computador, fitas de registo de áudio e vídeo e outros dispositivos) a pelo menos 0,5m da coluna. Os ecrãs LCD e de plasma não são afectados por campos magnéticos.

Ligações

Todas as ligações devem ser levadas a cabo com o equipamento desligado.

As colunas da série CT700 possuem um par de bornes de ligação e uma tomada Neutrik® Speakon® no painel posterior. Os bornes proporcionam uma ligação fácil e rápida de cabos nus enquanto as tomadas Speakon® oferecem um método de ligação mais seguro e fiável.

Se pretender usar os bornes de ligação, ligue o condutor positivo ao borne vermelho e o condutor negativo ao terminal preto. A ligação incorrecta pode resultar numa fraca imagem sonora e numa atenuação na reprodução de graves. A figura 5a ilustra a utilização de bornes de ligação.

Se pretender usar a opção Speakon®, desmonte a ficha Speakon® conforme indicado na figura 5b, ligue o condutor positivo ao terminal com a indicação +1 e o condutor negativo ao terminal com a indicação -1. A ligação incorrecta pode resultar numa fraca imagem sonora e numa atenuação na reprodução de graves. Uma vez a ficha novamente montada pode ser inserida na tomada e fixada rodando no sentido dos ponteiros do relógio.

Peça ao seu revendedor aconselhamento para a escolha do cabo de coluna. Faça com que a impedância total fique abaixo da impedância máxima recomendada nas características da coluna e use um cabo de baixa indutância para evitar a atenuação das frequências altas.

Neutrik® e os nomes de produtos Neutrik® aqui referenciados são marcas registadas de Neutrik®.

Ajuste fino

Antes de efectuar o ajuste fino, assegure-se de que as ligações estão correctas e firmes.

Se os graves parecerem desequilibrados isto dever-se-á muito provavelmente à existência de ressonância na sala. Mesmo pequenas alterações na posição de audição podem apresentar um profundo efeito na forma como estas ressonâncias afectam o som. Experimente alterar a posição de audição. A presença e a colocação de grandes peças de mobiliário podem

também influenciar os modos de ressonância. Se pretende reduzir de uma forma geral o volume de graves coloque os tampões de espuma nos pórticos das colunas conforme ilustrado na Figura 6.

Se o som apresentar demasiado brilho, o aumento de mobiliário macio na sala (por exemplo, cortinas pesadas) pode ajudar a equilibrar o som. Por outro lado, a redução de mobiliário do mesmo tipo pode tornar mais brilhante um som amorfo.

Algumas salas sofrem de "ecos flutuantes" – ecos que "saltam" entre superfícies paralelas próximas. Os ecos flutuantes podem colorir o som das colunas da sala. Teste os ecos flutuantes colocando-se no meio da sala e batendo as palmas. Os ecos flutuantes podem ser reduzidos com a colocação de peças de forma irregular ou de superfícies não reflectoras, prateleiras, tapetes ou quadros, numa das paredes.

Período inicial

O desempenho da coluna altera-se de forma subtil durante o período inicial de audição. Se a coluna esteve guardada num ambiente frio, os materiais de suspensão e de amortecimento dos altifalantes levam algum tempo até recuperarem as suas características mecânicas. As suspensões dos altifalantes também se soltam durante as primeiras horas de utilização. O tempo necessário para que as colunas atinjam o desempenho esperado varia com as condições de armazenagem anteriores e com a forma de utilização. Por norma, espere uma semana para estabilização dos efeitos de temperatura e uma média de 15 horas de utilização para que as características das partes mecânicas fiquem de acordo com o pretendido.

No entanto, foram reportados períodos iniciais mais longos (até um mês) e as evidências sugerem que isso tem mais a ver com a habituação a um novo som do que a alterações no desempenho das colunas. Isto é particularmente visível com colunas de alta definição como estas onde pode existir um aumento significativo de detalhe em comparação com aquilo a que o ouvinte estava habituado; o som poderá à primeira vista parecer "demasiado frontal" e talvez um pouco duro. Após um período extenso de audição o som parecerá mais suave, mas sem perder transparência e detalhe.

Cuidados posteriores

As superfícies da caixa apenas necessitam normalmente de limpeza do pó. Se pretender usar um spray ou outro produto de limpeza, retire em primeiro lugar a grelha afastando-a suavemente da caixa. Pulverize o spray no pano de limpeza e não directamente no equipamento. Ensaie em primeiro lugar numa zona reduzida uma vez que alguns produtos podem danificar as superfícies. Evite produtos que sejam abrasivos, ou que contenham agentes ácidos, alcalinos ou anti-bacterianos. Não use produtos de limpeza nos altifalantes. As grelhas podem ser limpas com uma escova normal quando estão destacadas da coluna. Evite tocar nos altifalantes, especialmente os de agudos, pois podem ficar danificados.

Garantia limitada

Este produto foi concebido e fabricado de acordo com os mais elevados padrões de qualidade. No entanto, se houver qualquer problema com o mesmo, a B&W e os seus distribuidores internacionais garantem o serviço de mão-de-obra (podendo-se aplicar exclusões) e de substituição de peças gratuitos em qualquer país servido por um distribuidor oficial de B&W.

Esta garantia limitada é válida por um período de cinco anos a partir da data de compra ou dois anos pela parte electrónica incluindo altifalantes amplificados.

Termos e condições

- 1 Esta garantia limita-se à reparação do equipamento. Nem transporte, nem quaisquer outros custos, nem qualquer risco de remoção, transporte e instalação de produtos estão cobertos por esta garantia.
- 2 A garantia só é válida para o proprietário original. Não é transferível.
- 3 Esta garantia não será aplicável nos casos em que os defeitos não sejam atribuíveis a materiais e/ou mão-de-obra na altura da compra e não será aplicável a:
 - a. danos causados pela instalação, ligação ou embalamento incorrectos,
 - b. danos causados por qualquer utilização que não seja a correcta conforme descrita no manual do utilizador, negligência, modificações ou utilização de peças que não sejam fabricadas ou autorizadas pela B&W,
 - c. danos causados por equipamento auxiliar inadequado ou defeituoso,
 - d. danos causados por acidentes, relâmpagos, água, incêndio, calor, guerra, distúrbios públicos ou qualquer outra causa para além do controlo razoável da B&W e dos seus distribuidores nomeados,
 - e. produtos cujo número de série tenha sido alterado, apagado, removido ou que tenha sido tornado ilegível,
 - f. reparações ou modificações que tenham sido efectuadas por pessoa não autorizada.
- 4 Esta garantia complementa quaisquer obrigações legais nacionais e regionais de revendedores ou distribuidores nacionais e não afecta os seus direitos estatutários como cliente.

Como reivindicar reparações sob garantia

Caso seja necessário assistência técnica, queira seguir o procedimento seguinte:

- 1 Se o equipamento está a ser utilizado no país de compra, deverá contactar o distribuidor autorizado da B&W de onde o equipamento foi comprado.

- 2 Se o equipamento está a ser utilizado fora do país de compra, deverá contactar o distribuidor nacional da B&W do país de residência que o aconselhará onde o equipamento pode ser reparado. Pode telefonar para a B&W no Reino Unido ou visitar a nossa página na internet para obter os pormenores de contacto do seu distribuidor local.

Para validar a sua garantia, precisará de preencher a mesma devendo esta ser carimbada pelo seu distribuidor na data da compra.

Italiano

Manuale di istruzioni

Caro cliente,

Grazie per aver scelto Bowers & Wilkins. Vi preghiamo di leggere l'intero manuale prima di sballare ed installare il prodotto. In questo modo otterrete il meglio dalla sua resa sonora. B&W ha una rete di distributori in più di 60 paesi che saranno in grado di assistervi nel caso in cui aveste dei problemi che il vostro rivenditore non può risolvere.

Informazioni ambientali



Tutti i prodotti B&W sono realizzati in conformità con le normative internazionali: Restriction of Hazardous Substances (RoHS) per apparecchi elettronici ed elettrici, ed alle norme Waste Electrical and Electronic Equipment (WEEE). Questi simboli indicano la compatibilità con queste norme, e che il prodotto deve essere riciclato o smaltito in ottemperanza a queste direttive. Per informazioni sullo smaltimento di questo prodotto fate riferimento alle norme locali del vostro paese.

Contenuto dell'imballo

Verificare che siano presenti le seguenti parti:

- 4 piedini adesivi in gomma
- 4 distanziali adesivi in gomma
- 2 cilindri di spugna
- 1 connettore Speakon
- 2 staffe da muro
- 4 bulloni M6

Installazione del diffusore

I diffusori della serie CT700 possono essere installati sia in cabinet dedicati o realizzati appositamente per sistemi home theatre, che montati a muro mediante staffe apposite.

Se i diffusori devono essere installati in cabinet è importante assicurarsi che sia in grado di sopportarne il peso e che non pregiudichi le prestazioni sonore del sistema. Eventuali vibrazioni dei pannelli del cabinet potrebbero ripercuotersi sulle prestazioni dei diffusori. La figura 1 illustra l'installazione di 3 diffusori della serie CT700 in cabinet appositi per home theatre, sono indicate le dimensioni raccomandate tra i diffusori e lo spazio circostante.

Sono forniti in dotazione piedini in gomma adesivi da attaccare sul fondo del diffusore sia per proteggere il cabinet che per ridurre le vibrazioni. Attaccate un piedino adesivo ad ogni angolo sul lato inferiore del diffusore.

Quando installato nel cabinet, se rimane uno spazio superiore a circa 20mm attorno al diffusore, riempiendolo otterrete migliori prestazioni sonore. Utilizzate pezzi di gommapiuma o apposito materiale per applicazioni audio per riempire la cavità fino al pannello frontale del diffusore. Utilizzate solo materiale con adeguate proprietà ignifughe.

I diffusori della Serie CT700 possono anche essere installati a muro con uno di questi due metodi:

Staffe da muro:

I diffusori sono dotati di 4 inserti filettati M6 sul pannello posteriore per il montaggio delle due staffe fornite in dotazione. Utilizzate sempre entrambe le staffe, usando i bulloni M6 in dotazione per attaccarle sul retro dei diffusori. I due distanziali in gomma adesiva possono essere utilizzati come distanziali rispetto al muro retrostante. La figura 3 mostra l'uso delle staffe. Prima di utilizzarle assicuratevi che il muro ed i tasselli di fissaggio siano in grado di sopportare il peso dei diffusori. B&W non potrà essere ritenuta responsabile per un montaggio inadeguato o danni dovuti a causa di questo.

Staffe a giunto sferico:

I diffusori sono dotati di 4 inserti filettati M6 sul lato inferiore che permettono ai diffusori di essere installati a muro mediante staffe a giunto sferico regolabili compatibili con formati di fissaggio 127mm x 69.9mm. Il vostro rivenditore o distributore B&W locale potrà aiutarvi nella scelta delle staffe più appropriate.

Per utilizzare una staffa a giunto sferico su di un diffusore della Serie CT700 per prima cosa montate la piastra sul lato inferiore del diffusore. La figura 4 illustra questa operazione.

Dopo che la piastra della staffa è stata montata sul diffusore, l'assemblato può essere installato sulla parte della staffa fissato al muro. Assicuratevi di seguire correttamente le istruzioni del produttore della staffa per il fissaggio a muro della stessa, e che sia il muro che i componenti per il fissaggio siano adeguati al peso del diffusore. B&W non potrà essere ritenuta responsabile per un montaggio inadeguato o danni dovuti a causa di questo.

Indipendentemente dal tipo di installazione utilizzata, prestate attenzione quando sollevate i diffusori per fissarli poiché sono ingombranti e pesanti; vi consigliamo di eseguire questa operazione in due persone.

E griglie in tela nera sono attaccate con magneti e possono essere rimosse se lo desiderate. Fate attenzione a non toccare gli altoparlanti quando rimuovete o riposizionate le griglie.

Posizionamento del diffusore

Se i diffusori della Serie CT700 vengono utilizzati come canali frontali in un sistema home theatre, dovrebbero essere posizionati ai lati dello schermo sulla linea orizzontale centrale, ed a circa 0,5 m di distanza dai lati dello schermo, per adeguare l'immagine sonora alla grandezza visiva dello schermo. Vedi figure 1 e 2.

Un diffusore della Serie CT700 utilizzato come canale centrale in un sistema home theatre, dovrebbe essere posizionato centralmente direttamente sopra o sotto lo schermo. Nel caso di schermi acusticamente trasparenti, il diffusore del canale centrale dovrebbe essere posizionato centralmente dietro lo schermo.

I diffusori della Serie CT700 utilizzati come canali surround in un sistema home theatre, dovrebbero

essere posizionati sopra ed ai lati o dietro la posizione di ascolto.

Campi magnetici dispersi

Le unità altoparlanti creano campi magnetici dispersi che si estendono al di là del cabinet. Vi raccomandiamo di tenere lontani i prodotti sensibili ai campi magnetici (televisori CRT, schermi per computer, dischi per computer, tessere magnetiche, nastri audio e video e simili), almeno a 0,5 m dal diffusore. I monitor LCD o al plasma non sono interessati dall'influsso dei campi magnetici.

Collegamenti

Tutti i collegamenti dovrebbero essere effettuati con tutti i componenti del sistema spenti.

Sul retro dei diffusori della Serie CT700 vi è una coppia di terminali ed un connettore Neutrik® Speakon®.

I terminali di connessione tradizionali permettono un facile e veloce collegamento di cavi spellati, mentre i connettori Speakon® garantiscono metodo di collegamento più sicuro e stabile.

Se utilizzate i terminali per diffusori, collegate il terminale rosso del diffusore al terminale di uscita positivo dell'amplificatore, ed il terminale nero al negativo. La non osservanza della polarità darà luogo ad una inadeguata riproduzione dell'immagine sonora ed ad una perdita di bassi. La figura 5a illustra l'uso dei terminali tradizionali di collegamento dei diffusori.

Se utilizzate l'opzione Speakon®, smontate il connettore Speakon® come mostrato in figura 5b, collegate il cavo positivo al terminale contrassegnato con +1 ed il cavo negativo al terminale contrassegnato -1. La non osservanza della polarità darà luogo ad una inadeguata riproduzione dell'immagine sonora ed ad una perdita di bassi. Dopo che avrete rimontato il connettore potrà essere inserito nel suo alloggiamento e bloccato ruotandolo in senso orario.

Chiedete consiglio al vostro rivenditore sulla scelta dei cavi per i diffusori. Controllate che l'impedenza totale sia inferiore a quella massima raccomandata nelle caratteristiche dei diffusori, ed utilizzate un cavo a bassa induttanza per evitare l'attenuazione delle frequenze più alte.

Neutrik® ed i nomi dei prodotti Neutrik® a cui si fa riferimento sono marchi registrati e/o marchi di proprietà di Neutrik®.

Regolazione fine

Prima di eseguire la messa a punto del sistema, ricontrollate nuovamente la polarità ed i collegamenti.

Se il basso sembra irregolare con la frequenza, è generalmente dovuto all'effetto di risonanza della stanza.

Anche piccoli cambiamenti nella posizione d'ascolto possono avere grande influenza sul modo in cui queste risonanze alterano il suono. Provate a cambiare posizione di ascolto. Anche la presenza o lo spostamento di grandi mobili può dare dei buoni risultati. Se volete ridurre generalmente il volume dei

bassi inserite i tappi di spugna nei raccordi come indicato in Figura 6.

Se il suono è troppo acuto, aumentate l'arredamento in tessuto della stanza (per esempio, utilizzate tendaggi più pesanti), oppure riducetelo se il suono è opaco e spento.

Alcune stanze ricreano un fastidioso effetto eco: i suoni potrebbero rimbalzare tra muri paralleli o adiacenti. Questo effetto potrebbe influire negativamente sul suono dei diffusori nella stanza. Controllate l'effetto eco battendo le mani al centro della stanza. Potete limitare questo effetto facendo uso di superfici irregolari o non riflettenti come librerie, grandi mobili, quadri o tappeti su uno dei muri o sul pavimento adiacente al muro.

Periodo di rodaggio

Le prestazioni del diffusore cambieranno notevolmente dopo il periodo iniziale di ascolto. Se il diffusore è stato immagazzinato in un ambiente freddo, i componenti degli altoparlanti avranno bisogno di qualche tempo per recuperare le loro proprietà meccaniche naturali. Anche le sospensioni dell'altoparlante si allenteranno durante le prime ore di utilizzo. Il tempo necessario al diffusore per raggiungere le sue normali prestazioni varia in base alle condizioni di immagazzinamento precedenti e da come vengono usati. In genere, ci vorrà circa una settimana per stabilizzare gli effetti della temperatura, ed in media 15 ore di funzionamento perché le parti meccaniche riprendano le loro caratteristiche di base.

Comunque, è stato provato che anche con periodi di rodaggio più lunghi (circa un mese) non sono stati notati cambiamenti sostanziali nei diffusori; questo anche perché l'ascoltatore comincia ad abituarsi al nuovo suono dei diffusori. Con diffusori di elevata qualità come questi, potreste notare un significativo incremento nella quantità dei dettagli se comparati con il tipo di suono a cui eravate abituati in precedenza; all'inizio il suono potrebbe sembrarvi troppo "diretto" e forse duro. Dopo un certo periodo di tempo il suono sembrerà più dolce, ma senza perdita di chiarezza e dettaglio.

Manutenzione

La superficie del cabinet solitamente deve essere solo spolverata. Se volete utilizzare un apposito prodotto spray antistatico per pulirlo, prima rimuovete le griglie tirandole delicatamente verso l'esterno del cabinet. Spruzzate il prodotto sul panno, non direttamente sul cabinet. Per pulire il tessuto delle griglie, potete utilizzare una normale spazzola per panni, passandola delicatamente sulla griglia dopo che è stata tolta dal diffusore. Evitate di toccare gli altoparlanti, specialmente i tweeter, poiché potrebbero danneggiarsi.

Garanzia limitata

Questo prodotto è stato progettato e fabbricato secondo i più alti standard qualitativi. Tuttavia, nell'improbabile caso di un guasto o malfunzionamento, B&W Group Ltd. e i suoi

distributori nazionali garantiscono parti sostitutive e mano d'opera gratuite (alcune eccezioni sono possibili) nei paesi in cui è presente un distributore ufficiale B&W.

Questa garanzia limitata è valida per un periodo di cinque anni dalla data di acquisto o di due anni per i componenti elettronici, diffusori attivi inclusi.

Termini e condizioni

- 1 La garanzia è limitata alla sola riparazione delle apparecchiature. La garanzia non copre i costi di trasporto o nessun altro tipo di costo, né i rischi derivanti dalla rimozione, il trasporto e l'installazione dei prodotti.
- 2 La garanzia è valida solo per l'acquirente originario e non è trasferibile.
- 3 Questa garanzia è applicabile solo in caso di materiali e/o fabbricazione difettosi al momento dell'acquisto e non è applicabile nei seguenti casi:
 - a. danni causati da installazione, connessione o imballaggio incorretti,
 - b. danni causati da un uso inadeguato del prodotto, diverso dall'uso specificato nel manuale dell'utente, negligenza, modifiche o impiego di componenti non fabbricati o autorizzati da B&W,
 - c. danni causati da apparecchiature ausiliarie difettose o inadatte,
 - d. danni causati da incidenti, fulmini, acqua, fiamme, calore, guerra, disordini pubblici o altra causa al di fuori del ragionevole controllo di B&W e dei suoi ufficiali distributori,
 - e. quando il numero di serie del prodotto è stato alterato, cancellato, rimosso o reso illeggibile,
 - f. se riparazioni o modifiche sono state effettuate da personale non autorizzato.
- 4 Questa garanzia completa le obbligazioni di legge regionali e nazionali dei rivenditori o distributori nazionali e non incide sui diritti del consumatore stabiliti per legge.

Riparazioni in garanzia

Se sono necessarie delle riparazioni, seguire le procedure delineate qui di seguito:

- 1 Se le apparecchiature sono utilizzate nel paese in cui sono state acquistate, contattare il rivenditore autorizzato B&W da cui sono state acquistate.
- 2 Se le apparecchiature non sono utilizzate nel paese in cui sono state acquistate, contattare il distributore nazionale B&W nel paese di residenza, che sarà in grado di fornire i dettagli della ditta incaricata delle riparazioni. Contattare B&W nel Regno Unito o visitare il sito web per i dettagli dei vari distributori di zona.

Per convalidare la vostra garanzia e potere ricevere assistenza dovrete produrre la ricevuta originale o altra prova di acquisto recante la data di acquisto.

Nederlands

Installatie Handleiding

Geachte klant,

Dank u voor het kiezen van Bowers & Wilkins. Lees voordat u het product uitpakt en installeert de handleiding in zijn geheel door; het zal u helpen het product optimaal te gebruiken. B&W heeft een netwerk van toegewijde distributeurs in meer dan 60 landen die u kunnen helpen wanneer u een probleem ondervindt dat uw leverancier niet kan oplossen.

Denk aan het milieu



Alle B&W producten zijn zo ontworpen dat zij voldoen aan de internationale richtlijnen omtrent gevaarlijke stoffen (RoHS) in elektrische en elektronische apparatuur en de verwerking van afgedankte elektrische en elektronische apparatuur (WEEE). Deze symbolen geven aan dat zij er aan voldoen en dat de producten op de juiste wijze dienen te worden gerecycled of verwerkt conform deze richtlijnen. Neem zonodig contact op met uw gemeente voor nadere informatie.

Inhoud van de verpakking

Controleer of het volgende aanwezig is:

- 4 Zelfklevende rubber voetjes
- 2 Zelfklevende rubber afstandsbuisjes
- 2 Poort dempers
- 1 Speakon® plug
- 2 Muurbeugels
- 4 M6 bouten

Luidspreker Installeren

De CT700 Serie luidsprekers kan worden geïnstalleerd in bestaande of speciaal daarvoor ontworpen home theater systeem kasten, dan wel op de wand met behulp van verscheidene muurbeugels.

Wanneer de luidsprekers in een kast moeten worden gemonteerd, is het belangrijk te controleren of deze het gewicht kan dragen en structureel solide is. Merkbare vibraties van kastpanelen kunnen de klank van de luidsprekers ernstig aantasten. In afbeelding 1 ziet u de installatie van drie CT700 Serie luidsprekers in een home theater kast met de aanbevolen afstanden tussen de luidsprekers en de ruimte er omheen.

De zelfklevende rubber voetjes zijn bedoeld voor bevestiging op de onderzijde van de luidsprekers om zowel de kastafwerking tegen beschadiging te beschermen als om trillingen te voorkomen. Bevestig de zelfklevende rubberen voetjes op de hoeken van de onderzijde van de luidspreker.

Wanneer er rondom de luidspreker die in een kast is geplaatst meer ruimte over blijft dan 20 mm dan kan de prestatie worden verbeterd door deze ruimte op te vullen. Gebruik daarvoor zorgvuldig op maat gesneden bekleding of schuim en vul deze ruimten zover mogelijk en vlak met de voorzijde van de luidspreker. Gebruik alleen schuim dat voldoende brandwerend is.

De CT700 Serie luidsprekers kunnen ook aan de wand worden gehangen op één van de volgende manieren.

Muurbeugels:

De luidsprekers zijn in de achterzijde voorzien van 4 M6 gaten met schroefdraad voor de bevestiging van de bijgeleverde muurbeugels. Gebruik altijd beide beugels. Bevestig de beugels met de bijgeleverde M6 schroeven op de achterzijde. De twee bijgeleverde rubber afstandsbuisjes kunnen worden gebruikt om de luidspreker tegen de wand te laten steunen. In afbeelding 3 ziet u het gebruik van de beugels. Controleer voordat u de beugels gebruikt of de wand en de bevestiging het gewicht van de luidspreker kunnen dragen. B&W aanvaardt geen enkele aansprakelijkheid voor het falen van de wand en/of de bevestiging.

Kogelgewricht:

De luidsprekers zijn ook in de onderzijde voorzien van 4 M6 gaten met schroefdraad voor de bevestiging van de luidsprekers aan de wand met een kogelgewrichtbeugel met bevestigingspunten voor een vlak van 127 x 69,9 mm. Uw leverancier kan u informeren over de juiste beugels.

Om het kogelgewricht aan een CT700 serie luidspreker te bevestigen, schroeft u eerst de bodemplaat op de onderzijde van de luidspreker stevig vast. Zie afbeelding 4.

Wanneer de bodemplaat eenmaal op de luidspreker is bevestigd, kan het geheel worden verbonden met het kogeldeel dat aan de wand is bevestigd. Volg bij het bevestigen aan de wand de aanwijzingen van de fabrikant van de beugel strikt op en overtuig u ervan dat de wand en de bevestiging het gewicht van de luidspreker kunnen dragen. B&W aanvaardt geen enkele aansprakelijkheid voor het falen van de wand en/of de bevestiging.

Ongeacht de wijze van installeren, wees altijd voorzichtig bij het in positie tillen van de luidsprekers. Ze zijn onhandig en zwaar en kunnen daarom het beste met twee personen worden getild.

De zwarte grill met doek wordt bevestigd met magneten en kan zonodig worden verwijderd. Pas op dat u de luidsprekereenheden bij het verwijderen of bevestigen van de grill niet aanraakt.

Opstelling

Bij gebruik van de CT700 Serie luidsprekers voor de linker of rechter voorkanalen in een home theater systeem worden deze ter weerszijden van het beeldscherm op de horizontale as geplaatst. Plaats ze op een afstand van maximaal 50 cm vanaf de zijkant van het beeldscherm om te zorgen dat het klankbeeld in verhouding is met het zichtbare beeld. Zie afbeelding 1 en 2.

Bij gebruik van een CT700 Serie luidspreker voor het center kanaal in een home theater systeem wordt deze in het midden direct boven of onder het beeldscherm geplaatst. Bij gebruik van een akoestisch transparant scherm, mag de center luidspreker ook in het midden achter het scherm worden geplaatst.

Bij gebruik van de CT700 Serie luidsprekers voor de surround kanalen in een home theater systeem worden deze boven en ter weerszijden dan wel achter de luisterpositie geplaatst.

Magnetisch Strooiveld

De luidsprekereenheden hebben een magnetisch strooiveld waarvan de invloed ook buiten de kast merkbaar is. Wij raden u aan magnetisch gevoelige zaken (TV en computerschermen met beeldbuis, diskettes, audio- en videobanden, creditcards e.d.) minimaal 0,5 meter van de luidspreker vandaan te houden. LCD- en plasmaschermen zijn niet gevoelig voor het magnetisch veld.

Verbindingen

Schakel eerst alle apparatuur uit voordat u verbindingen maakt of wijzigt.

CT700 Serie luidsprekers bezitten twee paar verbindingsklemmen en één Neutrik® Speakon® connector op de achterzijde. De klemmen bieden een simpele en gemakkelijke verbinding met blanke draadeinden, terwijl de Speakon aansluiting een betrouwbaardere en duurzame verbinding oplevert.

Om de luidsprekers aan te sluiten via de klemmen verbind u de positieve ader met de rode aansluiting en de negatieve ader met de zwarte aansluiting. Een verkeerde aansluiting kan geen kwaad maar leidt tot een slecht ruimtebeeld en een gebrek aan bas. Afbeelding 5a laat zien hoe de klemmen worden aangesloten.

Om de luidsprekers aan te sluiten via de Speakon optie, maakt u de Speakon plug open als aangegeven in afbeelding 5b en u verbindt de positieve ader met de aansluitingen +1; daarna de negatieve ader met de aansluitingen -1. Een verkeerde aansluiting kan geen kwaad maar leidt tot een slecht ruimtebeeld en een gebrek aan bas. Wanneer de plug weer is gemonteerd, kan deze in de aansluiting worden gestoken en worden vastgezet door naar rechts te draaien.

Vraag uw leverancier om advies over de te gebruiken luidsprekerkabel. Houd de totale kabelweerstand beneden het maximum dat bij de technische gegevens wordt aanbevolen en gebruik een kabel met een lage inductie om benadrukking van de hogere frequenties te vermijden.

Neutrik® en de namen van Neutrik® producten waaraan hier wordt gerefereerd, zijn handelsmerken en/of servicediensten van Neutrik®.

Fijnafstemming

Voordat u hieraan begint, controleren of alle verbindingen van de installatie correct zijn gemaakt en goed vast zitten.

Wanneer de bas niet gelijkmatig is op alle frequenties dan is dat meestal te wijten aan resonanties in de luisterruimte. Ook kleine wijzigingen in de opstelling kan een merkbaar effect hebben op de invloed van deze resonanties op de klank. Probeer ook de luisterpositie te verplaatsen. De aanwezigheid en de positie van grote meubels hebben eveneens invloed

op de resonanties. Wilt u het niveau van het laag in zijn geheel verlagen, steek dan de schuim plug in de poort van de luidspreker. Zie afbeelding 6.

Wanneer de klank te helder is, kan het aanbrengen van zachte bekleding in de kamer (zwaardere gordijnen bijvoorbeeld) het geluid in balans brengen. Omgekeerd kan het reduceren van zachte bekleding het geluid wat sprankelender maken.

Sommige kamers hebben last van een repeterende echo – het geluid weerkaatst tussen twee parallel lopende wanden. Dit soort echo's kleuren het geluid van de luidsprekers in de kamer. Test op deze echo's door in het midden van de kamer te gaan staan en in uw handen te klappen. Repeterende echo's kunnen worden gereduceerd door onregelmatig gevormde objecten en niet reflecterende vlakken in de kamer aan te brengen zoals boekenplanken, tapijt of schilderijen op of tegen een van de reflecterende wanden of vloer.

Inspelen

De eigenschappen van de luidspreker zullen gedurende de eerste luisterperiode op subtiele wijze iets veranderen. Wanneer de luidspreker in een koude omgeving opgeslagen is geweest, zijn de dempende materialen en de ophanging wat stug en het duurt enige tijd voordat zij de juiste mechanische eigenschappen terug hebben. Ook zal de ophanging in de eerste uren van het gebruik nog wat soepeler worden. De tijd die de luidspreker nodig heeft om de beoogde eigenschappen te bereiken, wordt bepaald door de wijze waarop hij voorheen is opgeslagen en de manier waarop hij wordt gebruikt. Houd als richtlijn een week aan om een stabiele temperatuur te bereiken en ca. 15 uur gebruik om de mechanische onderdelen de beoogde eigenschappen te laten verkrijgen.

Maar ook langere inspeeltijden zijn gerapporteerd (tot een maand) en er zijn ook aanwijzingen dat dit minder te maken heeft met veranderingen van eigenschappen van de luidspreker als met de gewenning van de luisteraar aan de nieuwe klank. Dat geldt vooral voor luidsprekers als deze, die in hoge mate laten horen wat de werkelijke inhoud van de opname is en daarmee een grotere detaillering in vergelijking tot wat de luisteraar voorheen was gewend. Aanvankelijk kan het geluid wat direct en zelfs enigszins hard lijken. Na enige tijd lijkt het geluid zachter te worden, maar zonder aan tekening en detaillering te verliezen.

Nazorg

De kast van de luidsprekers behoeft normaal gesproken alleen maar te worden afgestoft. Wilt u een schoonmaakspray of een ander middel gebruiken, verwijder dan eerst de grill door deze voorzichtig van de kast te trekken. Spuit op een zachte doek en nooit direct op de kast. Probeer eerst op een onzichtbare plek, daar sommige reinigingsmiddelen het oppervlak kunnen beschadigen. Vermijd schuurmiddelen of middelen die gif bevatten, alkali en antibacterie stoffen. Gebruik nooit schoonmaakmiddelen op de eenheden. De stof van de grill kan met een gewone kledingborstel worden schoongemaakt, terwijl deze van de kast is afgenomen. Vermijd aanraking van de

eenheden, vooral de tweeter, die zeer gemakkelijk beschadigd kan raken.

Ook kunt u contact opnemen met B&W in Groot-Brittannië of onze website bezoeken om te zien wie uw lokale distributeur is.

Garantie

Dit product is volgens de hoogste kwaliteitsnormen ontworpen en vervaardigd. Mocht er toch iets defect zijn aan dit product dan garanderen B&W Group Ltd. en haar landelijk distributeurnetwerk dat u aanspraak kunt maken op kosteloze reparatie (er zijn uitzonderingen) en vervanging van onderdelen in elk land, door een officiële B&W distributeur.

Deze beperkte garantie is geldig voor een periode van vijf jaar vanaf de aankoopdatum of twee jaar voor elektronica, waaronder actieve luidsprekers.

Voorwaarden

1. De garantie is beperkt tot de reparatie van de apparatuur. Transport- en andere kosten, eventueel risico voor het verwijderen, vervoeren en installeren van producten vallen niet onder deze garantie.
2. De garantie geldt alleen voor de eerste eigenaar en is niet overdraagbaar.
3. Deze garantie is niet van toepassing in andere gevallen dan defecten van materialen en/of fabricage ten tijde van aankoop en is niet van toepassing:
 - a. op schade die veroorzaakt is door onjuiste installatie, aansluiting of verpakking;
 - b. op schade die veroorzaakt is door onjuist gebruik, anders dan beschreven in de handleiding, nalatigheid, modificatie, of gebruik van onderdelen die niet door B&W zijn goedgekeurd of gemaakt;
 - c. op schade veroorzaakt door defecte of ongeschikte aanvullende apparatuur;
 - d. op schade veroorzaakt door ongeval, onweer, water, brand, hitte, oorlog, openbaar geweld of een andere oorzaak buiten redelijk toezicht van B&W en haar distributeurs;
 - e. op producten waarvan het serienummer gewijzigd, verwijderd, gewist of onleesbaar is gemaakt;
 - f. indien reparaties of modificaties zijn uitgevoerd door een onbevoegd persoon.
4. Deze garantie is ter aanvulling op eventuele nationale/regionale wettelijke verplichtingen voor dealers of nationale distributeurs en heeft geen invloed op uw wettelijke rechten als consument.

Garantieclaims

Wanneer u aanspraak wilt maken op garantie, handel dan als volgt:

1. Indien de apparatuur wordt gebruikt in het land van aankoop, neem dan contact op met de erkende B&W dealer waar de apparatuur is gekocht.
2. Indien de apparatuur niet in het land van aankoop wordt gebruikt, neem dan contact op met de nationale distributeur van B&W in het land waar u verblijft. Deze zal u informeren hoe te handelen.

Om uw recht op garantie geldig te maken, dient u het garantiebewijs te overleggen, op de dag van aankoop ingevuld en van een stempel voorzien door uw handelaar.

Ελληνικά Οδηγίες εγκατάστασης

Αγαπητέ πελάτη,

Σας ευχαριστούμε που επιλέξατε την Bowers & Wilkins.

Παρακαλούμε, πριν αποσυσκευάσετε και εγκαταστήσετε τα ηχεία, διαβάστε προσεκτικά τις οδηγίες που περιλαμβάνονται σε αυτό το φυλλάδιο, για να έχετε τη βέλτιστη απόδοση από το σύστημά σας. Η B&W έχει ένα δίκτυο αποκλειστικών αντιπροσώπων σε περισσότερες από 60 χώρες, οι οποίοι θα μπορούν να σας βοηθήσουν στην περίπτωση που συναντήσετε κάποια προβλήματα που δεν μπορεί να λύσει το κατάστημα από όπου αγοράσατε τα ηχεία.

Πληροφορίες σχετικά με την προστασία του περιβάλλοντος



Τα προϊόντα της B&W είναι σχεδιασμένα σύμφωνα με τις διεθνείς οδηγίες σχετικά τον

Περιορισμό των Επικίνδυνων Ουσιών (RoHS) στις ηλεκτρικές και ηλεκτρονικές συσκευές, καθώς και σχετικά με την διάθεση Ηλεκτρικών και Ηλεκτρονικών Αποβλήτων (WEEE). Το σύμβολο του διαγραμμένου κάδου απορριμμάτων σημαίνει τη συμμόρφωση με τις οδηγίες αυτές, και ότι τα προϊόντα θα πρέπει να ανακυκλώνονται και να υπόκεινται στην κατάλληλη επεξεργασία.

Συμβουλευτείτε την υπηρεσία περιβαλλοντικής προστασίας της περιοχής σας, σχετικά με τον τρόπο διάθεσης ειδικών απορριμμάτων.

ΠΕΡΙΕΧΟΜΕΝΑ ΣΥΣΚΕΥΑΣΙΑΣ

Η συσκευασία θα πρέπει να περιέχει:

- 4 αυτοκόλλητα λαστιχένια πόδια
- 2 αυτοκόλλητους λαστιχένιους αποστάτες
- 2 πάματα θύρας ανάκλασης
- 1 βύσμα Speakon®
- 2 βραχίονες ανάρτησης στον τοίχο
- 4 βίδες M6

Εγκατάσταση

Τα ηχεία της σειράς CT700 μπορούν να τοποθετηθούν σε υπάρχουσες ή ειδικά σχεδιασμένες καμπίνες συστήματος οικιακού κινηματογράφου, ή να αναρτηθούν στον τοίχο με διάφορους τύπους βραχιόνων.

Αν τοποθετηθούν μέσα σε καμπίνα, αυτή θα πρέπει να αντέχει το βάρος τους και να είναι καλής κατασκευής. Οι κραδασμοί των επιφανειών της καμπίνας, όταν υπερβαίνουν τα όρια, επιδρούν αρνητικά στην απόδοση των ηχείων. Η εικόνα 1 απεικονίζει την τοποθέτηση τριών ηχείων της σειράς CT700 σε μια καμπίνα οικιακού κινηματογράφου και δείχνει τις αποστάσεις ανάμεσα στα ηχεία και του χώρου γύρω τους.

Τα αυτοκόλλητα λαστιχένια πόδια τοποθετούνται στο κάτω μέρος των ηχείων για προστασία του φινιρίσματος της καμπίνας και μείωση των κραδασμών. Κολλήστε ένα πόδι σε κάθε γωνία της κάτω πλευράς των ηχείων.

Αν υπάρχουν κενά πάνω από 20 χιλιοστά γύρω από το ηχείο όταν έχει τοποθετηθεί σε καμπίνα, η ακουστική απόδοση βελτιώνεται αν κλείσουν αυτά τα κενά. Κόψτε προσεκτικά κομμάτια ταπετσαρίας ή ηχομονωτικού αφρώδους υλικού και γεμίστε τα κενά μέχρι πίσω, όσο είναι πρακτικό, και ευθυγραμμίστε τα με την μπροστινή επιφάνεια του ηχείου. Το αφρώδες υλικό που θα χρησιμοποιήσετε πρέπει να έχει κατάλληλη προδιαγραφή ανθεκτικότητας στη φωτιά.

Τα ηχεία της σειράς CT700 μπορούν επίσης να στηριχτούν στον τοίχο με μια από τις ακόλουθες δύο μεθόδους.

Βραχίονες τοίχου:

Τα ηχεία διαθέτουν 4 τρύπες M6 στην πίσω πλευρά τους, για σύνδεση των δύο βραχιόνων που παρέχονται. Χρησιμοποιείτε πάντα και τους δύο βραχίονες. Χρησιμοποιήστε τις παρεχόμενες βίδες για να συνδέσετε τους βραχίονες στο πίσω μέρος των ηχείων. Οι δύο παρεχόμενοι λαστιχένιοι αποστάτες χρησιμοποιούνται για να "πατάει" μαλακά το ηχείο στον τοίχο. Η εικόνα 3 απεικονίζει τη χρήση των βραχιόνων. Πριν χρησιμοποιήσετε τους βραχίονες, βεβαιωθείτε ότι ο τοίχος και τα σημεία σύνδεσης στην επιφάνειά του μπορούν να αντέξουν το βάρος του ηχείου. Η B&W δεν φέρει ευθύνη για ενδεχόμενη ζημιά προερχόμενη από μη ανθεκτικό τοίχο ή μη ασφαλείς συνδέσεις.

Αρθρωτοί βραχίονες:

Τα ηχεία διαθέτουν τέσσερις τρύπες M6 στην κάτω πλευρά τους που επιτρέπουν ανάρτηση στον τοίχο με χρήση ρυθμιζόμενων, αρθρωτών βραχιόνων, σχεδιασμένων για τρύπες 127 x 69,9 mm. Ο έμπορος ή ο τοπικός αντιπρόσωπος της B&W θα σας συμβουλεύσει ποιος είναι ο κατάλληλος βραχίονας.

Για να συνδέσετε έναν αρθρωτό βραχίονα σε ένα ηχείο της σειράς CT700, πρώτα συνδέστε καλά την πλακέτα-βάση στο κάτω μέρος του ηχείου. Η εικόνα 4 απεικονίζει αυτή τη διαδικασία.

Αφού συνδέσετε τη βάση στο ηχείο, μπορείτε στη συνέχεια να το συνδέσετε με το αρθρωτό τμήμα που έχετε αναρτήσει στον τοίχο. Ακολουθήστε τις οδηγίες του κατασκευαστή για ασφαλή ανάρτηση του βραχίονα και βεβαιωθείτε ότι ο τοίχος και τα σημεία σύνδεσης στην επιφάνειά του μπορούν να αντέξουν το βάρος του ηχείου. Η B&W δεν φέρει ευθύνη για ενδεχόμενη ζημιά προερχόμενη από μη ανθεκτικό τοίχο ή μη ασφαλείς συνδέσεις.

Ανεξάρτητα από τον τρόπο εγκατάστασης, προσέξτε όταν σηκώνετε το ηχείο για να το τοποθετήσετε στη θέση του. Είναι ογκώδες και βαρύ, και καλό είναι να μετακινούν δύο άτομα.

Τα μαύρα υφασμάτινα καλύμματα συνδέονται με μαγνήτες και μπορείτε να τα αφαιρέσετε, αν θέλετε. Προσέξτε να μην αγγίξετε τα μεγάφωνα όταν αφαιρείτε ή τοποθετείτε τα καλύμματα.

Τοποθέτηση των ηχείων

Αν χρησιμοποιηθούν τα CT700 σε σύστημα οικιακού κινηματογράφου ως τα εμπρόσθια ηχεία, θα πρέπει να τοποθετηθούν δεξιά και αριστερά της οθόνης, και πρέπει να απέχουν περίπου μισό μέτρο από τα άκρα της ώστε η ηχητική εικόνα να συνδυάζεται με την οπτική. Δείτε την εικόνα 1 και 2.

Αν χρησιμοποιήσετε ένα CT700 για το κεντρικό κανάλι του συστήματος, θα πρέπει να το τοποθετήσετε ακριβώς επάνω ή κάτω από την οθόνη. Αν έχετε ηχοδιαπερατή οθόνη προβολής, το ηχείο θα πρέπει να τοποθετηθεί στο κέντρο, πίσω από την οθόνη.

Για τα κανάλια surround ενός συστήματος οικιακού κινηματογράφου, τοποθετήστε τα CT700 πίσω και επάνω από τις δύο πλευρές της θέσης ακρόασης.

Ελεύθερα μαγνητικά πεδία

Τα μεγάφωνα των ηχείων παράγουν ελεύθερα μαγνητικά πεδία που ξεπερνούν τα όρια της καμπίνας. Γι' αυτό, καλό είναι να τοποθετήσετε τα ηχεία σε απόσταση τουλάχιστον μισού μέτρου από συσκευές και αντικείμενα που είναι ευαίσθητα στο μαγνητισμό (συμβατικές τηλεοράσεις, οθόνες ηλ. υπολογιστών, δισκέτες, κασέτες ήχου, βιντεοκασέτες, πιστωτικές κάρτες κ.λπ.). Οι οθόνες LCD και plasma δεν επηρεάζονται από τα μαγνητικά πεδία.

Συνδέσεις

Πριν κάνετε οποιαδήποτε σύνδεση θέστε όλες τις συσκευές του συστήματος εκτός λειτουργίας και βγάλτε τις από την πρίζα.

Τα ηχεία CT700 έχουν στην πίσω πλευρά τους δύο ζεύγη ακροδεκτών τύπου "binding posts" και μία υποδοχή Neutrik® Speakon, για τη σύνδεση των καλωδίων. Οι ακροδέκτες προσφέρουν μία γρήγορη και εύκολη λύση για τη σύνδεση γυμνών καλωδίων, ενώ οι υποδοχές Speakon παρέχουν ένα πιο ασφαλή και αξιόπιστο τρόπο σύνδεσης.

Για να συνδέσετε τα καλώδια στους απλούς ακροδέκτες (binding posts) συνδέστε το θετικό ακροδέκτη του ηχείου στον κόκκινο ακροδέκτη του ενισχυτή, και τον αρνητικό ακροδέκτη του ηχείου στον μαύρο ακροδέκτη του ενισχυτή. Αν δεν τηρήσετε τη σωστή πολικότητα στις συνδέσεις, είναι πολύ πιθανό η ηχητική απεικόνιση να μην είναι καλή και τα μπάσα να είναι περιορισμένα. Η Εικόνα 5a δείχνει τη χρήση των απλών ακροδεκτών.

Για να συνδέσετε τα καλώδια στις υποδοχές Speakon, αποσυναρμολογήστε το βύσμα Speakon, με τον τρόπο που φαίνεται στην Εικόνα 5a, συνδέστε το θετικό πόλο του καλωδίου στον ακροδέκτη με την ένδειξη +1, και τον αρνητικό πόλο στον ακροδέκτη με την ένδειξη -1. Αν δεν τηρήσετε τη σωστή πολικότητα στις συνδέσεις, είναι πολύ πιθανό η ηχητική απεικόνιση να μην είναι καλή και τα μπάσα να είναι περιορισμένα. Συναρμολογήστε πάλι το βύσμα, τοποθετήστε το στην υποδοχή, και ασφαλίστε το στρέφοντας προς τη φορά των δεικτών του ρολογιού.

Συμβουλευτείτε το κατάστημα από όπου αγοράσατε τα ηχεία σχετικά με τα καλώδια που πρέπει να χρησιμοποιήσετε. Καλό είναι, η συνολική αντίσταση των καλωδίων να είναι χαμηλότερη από τη μέγιστη τιμή που αναφέρεται στα τεχνικά χαρακτηριστικά. Χρησιμοποιήστε καλώδια χαμηλής επαγωγής για να αποφύγετε την μείωση των υψηλών συχνοτήτων.

Ο τίτλος Neutrik® και τα ονόματα των προϊόντων της Neutrik® που αναφέρονται σε αυτό το φυλλάδιο είναι εμπορικά σήματα της Neutrik®.

Τελικές ρυθμίσεις

Πριν κάνετε τις τελικές ρυθμίσεις ελέγξτε πάλι όλες τις συνδέσεις του συστήματος και βεβαιωθείτε ότι έχουν γίνει σωστά και είναι ασφαλείς.

Αν τα μπάσα μοιάζουν άνισα σε συχνότητες, αυτό πιθανότατα οφείλεται στις αντηχήσεις του χώρου ακρόασης. Ακόμα και μικρές αλλαγές στη θέση ακρόασης μπορεί να έχουν σημαντικά αποτελέσματα το πώς αυτές οι αντηχήσεις επηρεάζουν τον ήχο. Δοκιμάστε να μετακινήσετε τη θέση ακρόασης. Η παρουσία και η θέση ογκωδών επίπλων επηρεάζει επίσης την αντήχηση. Αν θέλετε να μειώσετε τον όγκο των μπάσων, τοποθετήστε τα πώματα στις θύρες ανάκλασης των ηχείων, όπως δείχνει η Εικόνα 6.

Α ο ήχος είναι υπερβολικά τραχύς, τοποθετήστε περισσότερα μαλακά (απορροφητικά) έπιπλα στο χώρο ακρόασης (για παράδειγμα μπορείτε να χρησιμοποιήσετε πιο χοντρές κουρτίνες). Αντίστοιχα, αν ο ήχος είναι μουντός, ελαττώστε τις απορροφητικές επιφάνειες στο χώρο.

Ελέγξτε την ηχώ, χτυπώντας τα χέρια σας και ακούγοντας τις γρήγορες επαναλήψεις του ήχου. Αν το φαινόμενο είναι έντονο, μπορείτε να το περιορίσετε τοποθετώντας στο χώρο ασύμμετρες επιφάνειες (π.χ. ράφια, βιβλιοθήκες κ.λπ.) και μεγάλα έπιπλα.

Περίοδος προσαρμογής

Η απόδοση των ηχείων θα βελτιωθεί αισθητά κατά την αρχική περίοδο λειτουργίας τους. Εάν τα ηχεία ήταν αποθηκευμένα σε κρύο περιβάλλον, τα μονωτικά υλικά και τα συστήματα ανάρτησης των μεγαφώνων θα χρειαστούν κάποιο χρόνο για να ανακτήσουν τις πραγματικές τους ιδιότητες. Ο χρόνος που χρειάζεται κάθε ηχείο για να αποδώσει σύμφωνα με τις

δυνατότητές του εξαρτάται από τις συνθήκες στις οποίες ήταν αποθηκευμένο και από τον τρόπο που χρησιμοποιείται. Η προσαρμογή των ηχείων στη θερμοκρασία του περιβάλλοντος μπορεί να χρειαστεί έως και μία εβδομάδα, ενώ τα μηχανικά του μέρη θέλουν γύρω στις 15 ώρες κανονικής χρήσης για να αποκτήσουν τα χαρακτηριστικά με τα οποία έχουν σχεδιαστεί.

Ωστόσο, έχουν αναφερθεί και μεγαλύτερες περίοδοι προσαρμογής (μέχρι και ένας μήνας), αλλά είναι πολύ πιθανό να έχουν σχέση με το χρόνο που χρειάζεται ο ακροατής για να συνηθίσει το νέο ήχο, και όχι με πραγματική αλλαγή στην απόδοση των ηχείων. Τα ηχεία νέας τεχνολογίας όπως τα CT700 αποδίδουν πολύ λεπτομερέστερο ήχο από ότι ενδεχομένως έχουν συνηθίσει κάποιοι ακροατές, και ίσως αυτό τα κάνει να ακούγονται στην αρχή λίγο έντονα και ίσως "σκληρά". Μετά από κάποιο διάστημα, ο ήχος θα "απαλύνει" αλλά η διαύγειά του θα παραμείνει η ίδια.

Φροντίδα των ηχείων

Κανονικά, ο μόνος καθαρισμός που απαιτεί το φινίρισμα των ηχείων είναι ένα ξεσκόνισμα. Εάν θέλετε να χρησιμοποιήσετε κάποιο καθαριστικό με τη μορφή σπρέι, θα πρέπει πρώτα να αφαιρέσετε τα εμπρόσθια προστατευτικά καλύμματα των ηχείων τραβώντας το ελαφρά από τη καμπίνα. Ρίξτε το καθαριστικό στο πανί με το οποίο θα καθαρίσετε το ηχείο και όχι κατευθείαν επάνω στην καμπίνα. Δοκιμάστε πρώτα το καθαριστικό σε μία μικρή επιφάνεια της καμπίνας. Μην χρησιμοποιείτε ισχυρά καθαριστικά, ή καθαριστικά με οξέα, άλατα ή αντιβακτηριδιακά στοιχεία. Μην χρησιμοποιείτε καθαριστικά στα μεγάφωνα. Το ύφασμα της προστατευτικής σήτας καθαρίζεται – αφού την αφαιρέσετε από το ηχείο – με μία απλή βούρτσα ρούχων. Αποφύγετε να αγγίζετε τα μεγάφωνα και κυρίως το μεγάφωνο υψηλών συχνοτήτων (tweeter), γιατί μπορεί να προκληθεί ζημιά.

Περιορισμένη εγγύηση

Το προϊόν που αγοράσατε έχει σχεδιαστεί και κατασκευαστεί με τις υψηλότερες προδιαγραφές ποιότητας. Ωστόσο, αν συναντήσετε το παραμικρό πρόβλημα με τη λειτουργία του, η B&W Group Ltd. και οι αντιπρόσωποί της σε όλες τις χώρες σας παρέχουν εγγύηση για δωρεάν επισκευή (με την πιθανότητα κάποιων εξαιρέσεων) και αντικατάσταση εξαρτημάτων, σε όλες τις χώρες που υπάρχει επίσημος αντιπρόσωπος της B&W. Η περιορισμένη αυτή εγγύηση ισχύει για περίοδο πέντε ετών από την ημερομηνία αγοράς του προϊόντος, ή δύο ετών αν πρόκειται για αυτοενισχυόμενα ηχεία που περιλαμβάνουν ηλεκτρονικά εξαρτήματα.

Όροι της εγγύησης

1. Η εγγύηση καλύπτει μόνο την επισκευή των προϊόντων. Δεν καλύπτει τα έξοδα αποστολής ή οποιαδήποτε άλλα έξοδα, ούτε και ενδεχόμενους κινδύνους που μπορεί να προκύψουν από την απεγκατάσταση, τη μεταφορά και την εγκατάσταση των προϊόντων.
2. Η παρούσα εγγύηση ισχύει μόνο για τον αρχικό ιδιοκτήτη του προϊόντος, και δεν μπορεί να μεταβιβαστεί.
3. Η παρούσα εγγύηση δεν ισχύει για περιπτώσεις άλλες από αυτές που περιλαμβάνουν ελαττωματικά υλικά ή/και ανθρώπινο σφάλμα κατά τη στιγμή της αγοράς του προϊόντος. Η παρούσα εγγύηση δεν ισχύει στις εξής περιπτώσεις:
 - a. Για ζημιές που προέκυψαν από λανθασμένη εγκατάσταση, σύνδεση ή συσκευασία.
 - b. Για ζημιές που προέκυψαν από χρήση διαφορετική από αυτή που περιγράφεται στο εγχειρίδιο οδηγιών, από αμέλεια, μετατροπές, ή χρήση εξαρτημάτων που δεν είναι κατασκευασμένα ή εγκεκριμένα από την B&W.
 - c. Για ζημιές που οφείλονται σε ελαττωματικές ή ακατάλληλες τρίτες συσκευές.
 - d. Για ζημιές που οφείλονται σε ατύχημα, κεραυνό, νερό, φωτιά, υψηλές θερμοκρασίες, κοινωνικές αναταραχές, ή σε οποιαδήποτε άλλη αιτία που δεν σχετίζεται και δεν ελέγχεται από την B&W.
 - e. Για προϊόντα των οποίων ο αριθμός σειράς έχει αλλάξει, διαγραφεί, αφαιρεθεί ή έχει γίνει δυσανάγνωστος.
 - f. Αν έχουν γίνει επισκευές ή τροποποιήσεις από μη εξουσιοδοτημένα πρόσωπα (δηλαδή από πρόσωπα που δεν έχουν την επίσημη έγκριση της B&W για να εκτελέσουν τις άνω εργασίες).
4. Η παρούσα εγγύηση ισχύει συμπληρωματικά σε οποιεσδήποτε εθνικές ή τοπικές νομικές υποχρεώσεις των πωλητών ή των εθνικών αντιπροσώπων, και δεν επηρεάζει τα νομικά δικαιώματα που έχετε ως πελάτης.

Πώς να απαιτήσετε επισκευή στα πλαίσια της εγγύησης

Αν το προϊόν που αγοράσατε χρειαστεί επισκευή, ακολουθήστε την πιο κάτω διαδικασία:

1. Αν το προϊόν χρησιμοποιείται στη χώρα που αγοράστηκε, επικοινωνήστε με την αντιπροσωπεία της B&W ή με το κατάστημα από όπου το αγοράσατε.
2. Αν το προϊόν χρησιμοποιείται σε διαφορετική χώρα από αυτήν που αγοράστηκε, θα πρέπει να επικοινωνήσετε με την αντιπροσωπεία της B&W στη χώρα αυτή, από όπου και θα πληροφορηθείτε πού μπορεί να γίνει η επισκευή του προϊόντος. Μπορείτε να τηλεφωνήσετε στα κεντρικά γραφεία της B&W, στο Ηνωμένο Βασίλειο (+44 1903 221 500),

ή να επισκεφτείτε την ιστοσελίδα μας (www.bwspeakers.com), για να μάθετε τα στοιχεία των κατά τόπους αντιπροσώπων της B&W.

Για να επικυρώσετε την εγγύηση θα πρέπει να συμπληρώσετε το σχετικό φυλλάδιο και να το στείλετε στην αντιπροσωπεία της B&W, σφραγισμένο από το κατάστημα από όπου αγοράσατε το προϊόν.

Русский

Руководство по эксплуатации

Уважаемый покупатель,

Спасибо, что вы выбрали Bowers & Wilkins.

Пожалуйста, прочтите эту Инструкцию внимательно перед распаковкой и установкой продукта. Это поможет вам оптимизировать его характеристики.

B&W имеет сеть специализированных дистрибьюторов более, чем в 60 странах, и они смогут помочь вам при возникновении любых проблем, с которыми не справились дилеры.

Информация по защите окружающей среды



Продукты B&W созданы в полном соответствии с международными директивами по ограничению использования опасных материалов (Restriction of Hazardous Substances – RoHS) в электрическом и электронном оборудовании, а также по его утилизации (Waste Electrical and Electronic Equipment – WEEE). Знак перечеркнутого мусорного бака означает соответствие директивам и то, что продукт должен быть правильно утилизован или переработан.

Проконсультируйтесь с вашей местной организацией, которая занимается утилизацией отходов, по вопросам правильной сдачи вашего оборудования в утиль.

Содержание упаковки

Проверьте комплектацию:

- 4 резиновых опоры с липучками
- 2 резиновых прокладки с липучками
- 2 поролоновых заглушки порта фазоинвертора
- 1 штекер Speakon®
- 2 настенных скобы
- 4 болта M6

Установка колонок

Акустические системы серии СТ700 могут быть установлены как в существующих, так и в заказных стенных нишах (шкафах) для домашних театров, или же смонтированы на стену с помощью различных кронштейнов.

Если акустические системы должны быть встроены в стенные ниши, важно удостовериться, что они способны выдержать их вес, а также достаточно прочны и надежны как строительные конструкции. Заметные вибрации панелей таких ниш могут серьезно ухудшить качество звучания встроенных колонок. На Рис. 1 показана установка трех АС серии СТ700 в стенную нишу для домашнего театра, с указанием рекомендуемых зазоров между корпусами и окружающими их панелями.

Резиновые опоры с липучками поставляются в комплекте для прикрепления внизу колонок, чтобы защитить отделку корпуса и подавить вибрации. Прилепите их по углам днища колонок.

Если при установке АС в ниши остаются зазоры более 20 мм (3/4 inch), можно улучшить звучание, заполнив их наполнителем. Используйте аккуратно нарезанные лоскуты обивочного материала или же акустический пенополимер для заполнения промежутков – настолько глубоко, насколько это возможно, вплоть до уровня фронтальных панелей колонок. Используйте только такой пенополимер, который имеет пожарный сертификат.

Акустические системы серии СТ700 могут быть также подвешены на стену с помощью одного из двух методов.

Настенные кронштейны:

На задних панелях колонки имеются по четыре отверстия с резьбой М6 для крепления двух скоб из комплекта. Обязательно всегда используйте обе скобы. Болтами М6 прикрепите скобы к задней стороне колонки. Две резиновых прокладки с липучками можно использовать для амортизации колонки при касании ею стены.

На Рис. 3 показано, как использовать скобы. Прежде, чем использовать скобы, убедитесь, что стена и шурупы могут выдержать вес колонки. В&W не несет ответственности за любые последствия, связанные с разрушением стены или крепежа.

Шаровые опоры:

На нижней поверхности колонки имеются по четыре отверстия с резьбой М6 для крепления их на стену с помощью регулируемых скоб с шаровыми опорами, спроектированных для монтажных отверстий размером 127мм x 69.9мм (5 in x 2.75 in). Ваш дилер или дистрибьютор В&W может посоветовать, как выбрать подходящие скобы.

Для присоединения регулируемых скоб с шаровыми опорами к колонкам серии СТ700, сначала надежно прикрепите пластину с ответным гнездом к днищу колонки. На Рис. 4 показана эта процедура.

Как только пластина с ответным гнездом прикреплена к днищу колонки, всю эту конструкцию можно насадить на шаровую деталь, заранее приделанную к стене. Обеспечьте строгое следование Инструкции производителя по фиксации скоб на стене, а также убедитесь, что стена и шурупы могут выдержать вес колонки. В&W не несет ответственности за любые последствия, связанные с разрушением стены или крепежа.

Независимо от способа установки, будьте осторожны при подъеме колонки на место. Она очень неудобная и тяжелая, поэтому лучше устанавливать ее на место вдвоем.

Защитная решетка с черной тканью крепится на магнитах, и может быть легко снята.

Постарайтесь не касаться диффузоров динамиков при надевании или снятии защитной решетки.

Выбор места для колонок

При использовании колонок серии СТ700 в качестве фронтальных в системе домашнего театра, их нужно установить по обеим сторонам экрана, на уровне его центра. Они должны быть приблизительно на 0.5 м (20 in) от сторон экрана, чтобы звуковой образ совпал по масштабу с визуальным. См. Рис. 1 и 2.

Если АС СТ700 играет роль центральной колонки, она должна быть расположена сверху или же снизу экрана, в зависимости от того, где она ближе к уровню ушей слушателя. В случае акустически прозрачного экрана, ее следует подвесить за центром экрана.

При использовании АС СТ700 в качестве тыловых в системе домашнего театра их следует расположить за местом слушателя и выше него, по обеим сторонам от кресла или дивана.

Рассеянное магнитное поле

Динамики колонок создают магнитное поле, выходящее за их пределы. Мы рекомендуем держать магниточувствительные предметы (кинескопные телевизоры, дисплеи, дискеты, магнитные аудио и видеокассеты, карточки и т.п.) на расстоянии минимум 0.5 м от колонок. Жидкокристаллические (LCD) и плазменные экраны не подвержены воздействию магнитных полей.

Подсоединение

Все подключения делаются только при выключенном оборудовании.

У колонок СТ700 имеются две пары обычных клемм, а также один разъем Neutrik® Speakon® на задней панели. Зажимные клеммы обеспечивают быстрое и надежное соединение зачищенных концов кабеля, а гнезда Speakon® – более надежное и безопасное соединение.

Для соединения колонок с помощью зажимных клемм, подсоедините плюсовой конец кабеля к красной клемме, а минусовой к черной. Неверное подключение приведет к искажению звукового образа и утере басов. На Рис. 5a показано подсоединение с помощью колоночных клемм.

Для соединения колонок с помощью Speakon®, сначала разберите разъем Speakon®, как показано на Рис. 5b и подсоедините плюсовой конец кабеля к контакту, обозначенному +1, а минусовой – к контакту, обозначенному -1. Неверное соединение приведет к искажению звукового образа и потере басов. После того, как разъем будет вновь собран, его можно будет вставить в гнездо и зафиксировать, повернув по часовой стрелке.

Попросите вашего дилера порекомендовать кабель. Старайтесь, чтобы его импеданс был ниже максимально допустимого в спецификации, а индуктивность тоже была низкой, чтобы не ослабить высокие частоты.

Neutrik® и наименования продуктов Neutrik®, упоминаемые в тексте, это либо торговые марки, либо торговые/сервисные марки Neutrik®.

Тонкая настройка

Перед окончательной точной настройкой убедитесь, что все подключено правильно и надежно.

Если бас кажется неравномерным по частоте, это скорее всего вызвано резонансами (стоячими волнами) в комнате прослушивания. При этом даже небольшие изменения в положении слушателя могут приводить к значительному влиянию резонансов на звучание. Попробуйте поменять место для прослушивания. Наличие и размещение крупногабаритной мебели может также влиять на резонансы. Если вы хотите вообще снизить уровень басов, то вставьте поролоновую заглушку в порт фазоинвертора, как показано на Рис. 6.

Если звук слишком резкий («яркий»), добавьте мягкой мебели в комнате (например, повесьте тяжелые шторы), или наоборот – уберите их, если звук глухой и безжизненный.

Акустика некоторых комнат страдает от эффекта эхо, вызванного многочисленными отражениями звука от параллельных стен. Такое эхо способно исказить (окрасить) звучание колонок в помещении. Проверьте помещение на эхо, встав посреди комнаты, ударив в ладоши и прислушиваясь к быстрым отзвукам. Их можно уменьшить за счет использования нерегулярных поверхностей, таких как книжные полки или крупногабаритная мебель вдоль подозрительных на отражение стен.

Прогрев и приработка

Звучание АС слегка меняется в течение начального периода прослушивания. Если колонка хранилась в холодном помещении, то для демпфирующих материалов и подвеса динамиков потребуется некоторое время на восстановление механических свойств. Подвес диффузора также слегка снижает свою жесткость в течение первых часов работы. Время, которое потребуется АС для полного выхода на расчетные характеристики зависит от условия хранения и интенсивности использования. Как правило, потребуется неделя на устранения температурных эффектов и около 15 часов на достижение механическими частями желаемых характеристик.

К нам иногда поступают отзывы, что необходим более длительный период приработки (например, месяц), однако это, как правило, не имеет отношения к изменениям в свойствах АС, а скорее всего связано с привыканием слушателя к

новому для него звучанию. Это, прежде всего относится к колонкам с высокой разрешающей способностью, где слушателю может открыться значительно большее количество деталей, чем то, к которому он ранее привык; звучание поначалу может показаться чересчур «выпяченным» и немного трудным для восприятия. Однако после более или менее продолжительного времени вам покажется, что звук стал мягче и приятнее, но без какой-нибудь утери ясности и детальности.

УХОД ЗА КОЛОНКАМИ

Обычно корпуса колонок не требуют ничего, кроме очистки от пыли. Если же вы захотите использовать аэрозоль для чистки, то сначала удалите защитную решетку, осторожно потянув ее за рамку. Распыляйте аэрозоль на протирочную ткань, а не на корпус. Проверьте действие аэрозоля сначала на небольшом участке поверхности, т.к. некоторые вещества могут вызвать изменение окраски. Избегайте абразивных, кислотных, щелочных или антибактериальных веществ. Избегайте попадания моющих веществ на ткань защитной решетки, т.к. на ней могут остаться пятна. Ткань решеток можно чистить обычной одежной щеткой или же насадкой для пылесоса. Избегайте касания диффузоров динамиков, особенно твитеров, т.к. это может привести к их повреждению.

Ограниченная гарантия

Данное изделие было разработано и произведено в соответствии с высочайшими стандартами качества. Однако, при обнаружении какой-либо неисправности, компания B&W Group Ltd. и её национальные дистрибьюторы гарантируют бесплатный ремонт (существуют некоторые исключения) и замену частей в любой стране, обслуживаемой официальным дистрибьютором компании B&W.

Данная ограниченная гарантия действительна на период одного года со дня приобретения изделия конечным потребителем.

Условия гарантии

- 1 Данная гарантия ограничивается починкой оборудования. Затраты по перевозке и любые другие затраты, а также риск при отключении, перевозке и инсталлировании изделий не покрываются данной гарантией.
- 2 Действие данной гарантии распространяется только на первоначального владельца. Гарантия не может быть передана другому лицу.
- 3 Данная гарантия распространяется только на те неисправности, которые вызваны дефектными материалами и/или дефектами

при производстве на момент приобретения и не распространяется:

- а. на повреждения, вызванные неправильной инсталляцией, подсоединением или упаковкой,
 - б. на повреждения, вызванные использованием, не соответствующим описанному в руководстве по применению, а также неправильным обращением, модифицированием или использованием запасных частей, не произведённых или не одобренных компанией B&W,
 - в. на повреждения, вызванные неисправным или неподходящим вспомогательным оборудованием,
 - г. на повреждения, вызванные несчастными случаями, молнией, водой, пожаром, войной, публичными беспорядками или же любыми другими факторами, не подпадающими под контроль компании B&W и её официальных дистрибьюторов,
 - д. на изделия, серийный номер которых был изменён, уничтожен или сделан неузнаваемым,
 - е. на изделия, починка или модификация которых производились лицом, не уполномоченным компанией B&W.
- 4 Данная гарантия является дополнением к национальным/региональным законодательствам, которым подчиняются дилеры или национальные дистрибьюторы, то есть при возникновении противоречий, национальные/региональные законодательства имеют приоритетную силу. Данная гарантия не нарушает Ваших прав потребителя.

Куда обратиться за гарантийным обслуживанием

При необходимости получения гарантийного обслуживания, выполните следующие шаги:

- 1 Если оборудование используется в стране приобретения, Вам необходимо связаться с уполномоченным дилером компании B&W, у которого было приобретено оборудование.
- 2 Если оборудование используется за пределами страны приобретения, Вам необходимо связаться с национальным дистрибьютором компании B&W в данной стране, который посоветует Вам, где можно починить оборудование. Вы можете позвонить в компанию B&W в Великобритании или же посетить наш вебсайт, чтобы узнать контактный адрес Вашего местного дистрибьютора.

Для предъявления любых претензий в рамках гарантийных обязательств, необходимо предъявить оригинал чека на покупку или любое другое свидетельство владения с датой покупки.

Česky

Návod k použití

Vážený zákazníku,

děkujeme vám, že jste si zvolili reprosoustavy firmy Bowers & Wilkins. Před jejich vybalením a instalací si prosím napřed přečtěte celý tento manuál. Pomůže vám to docílit toho nejlepšího výsledného zvuku. Firma B&W vytvořila ve více než 60ti zemích síť svých distributorů, kteří vám mohou pomoci v případech, kdy problém nemůže vyřešit váš prodejce.

Informace k životnímu prostředí



Produkty B&W jsou konstruovány tak, aby byly zcela v souladu s mezinárodními předpisy upravujícími použití nebezpečných materiálů v elektrických a elektronických zařízeních (RoHS) a aby umožňovaly ekologickou likvidaci opotřebovaných elektrických a elektronických zařízení (WEEE). Symbol přeškrtnuté popelnice pak značí soulad s nařízeními na recyklovatelnost výrobku, či možnost jiného zpracování, požadovaného příslušnými předpisy. V případě nejasností jak naložit s výrobky určenými k likvidaci se prosím obraťte na místně příslušný orgán státní správy, nebo na vašeho prodejce.

Obsah balení

Zkontrolujte, zda karton obsahuje:

- 4 lepicí pryžové podložky
- 2 lepicí pryžové distance
- 2 basreflexové ucpávky
- 1 konektor typu Speakon®
- 2 nástěnné držáky
- 4 šrouby M6

Instalace reprosoustav

Reprosoustavy řady CT700 je možné instalovat do již existujících či na zakázku vytvářených nábytků a obložení pro místnosti domácího kina. Stejně tak je ale díky možnostem držáků lze montovat přímo na stěnu. Při umístění reprosoustav na nebo do nábytku, je velmi důležité mít na paměti hmotnost reprosoustavy a také to, aby nedocházelo k rezonancím, jenž mohou mít zásadní vliv na zvuk. Obrázek 1 znázorňuje instalaci tří reprosoustav řady CT700 v nábytku pro domácí kino a jsou z něj patrné doporučené vzdálenosti mezi reprosoustavami a okolím.

Dodávané nalepovací pryžové nožičky se umístí na spodní stěnu ozvučnice, nejen aby se předešlo poškození povrchu nábytku, ale hlavně pro omezení přenosu vibrací. Připevněte tedy vždy jednu nožičku do každého rohu spodní desky reprosoustavy. Je-li mezera kolem v nábytku instalované reprosoustavy větší než zhruba 20mm, lze akustický projev vylepšit vytlumením této mezery. K vyplnění mezery použijte opatrně vyříznuté kusy čalounění či akustickou pěnu. Dbejte, aby materiál splňoval protipožární požadavky.

Reposoustavy řady CT700 mohou být montovány také na stěnu, pomocí jedné ze dvou metod.

Nástěnná konzole:

Reposoustavy mají na svém zadním panelu čtyři zděře se závitem M6 pro uchycení dvou dodávaných konzolí. Vždy používejte obě konzole. Pro připevnění konzole k zadní části reposoustavy použijte dodávané šrouby M6. Pro oddálení reposoustavy od zdi lze použít dvě dodávané pryžové distance. Montáž konzole znázorňuje obrázek 3. Před použitím konzole se dobře ujistěte, zda její připevnění ke zdi je dostatečně odpovídající hmotnosti reposoustavy. Firma B&W nenese žádnou zodpovědnost za jakékoli škody vzniklé nesprávnou instalací.

Držáky s kulovým kloubem:

Vybavení reposoustav čtyřmi zděřemi se závitem M6 v jejich spodní části, dává možnost použít pro nástěnnou montáž nastavitelný držák s kulovým kloubem, určený pro 127mm x 69.9mm rozteč. Váš místní prodejce B&W vám může pomoci s výběrem tohoto držáku. Chcete-li použít držák s kulovým kloubem, připevněte napřed jeho objímkovou část ke spodní části reposoustavy, jak je znázorněno na obrázku 4.

Máte-li objímkovou část k reposoustavě připevněnou, můžete ji spojit s kulovitou částí držáku uchycenou na zdi. Ujistěte se, zda byla montáž provedena přesně dle návodu výrobce držáku a zda připevnění ke zdi je dostatečně odpovídající hmotnosti reposoustavy. Firma B&W nenese žádnou zodpovědnost za jakékoli škody vzniklé nesprávnou instalací.

Dle podmínek dané instalace buďte také opatrní při zvedání reposoustavy na její pozici. Je nejlépe, jsou-li pro manipulaci k dispozici dvě osoby. Krycí mřížka s černou tkaninou se k reposoustavě připevňuje pomocí magnetů a je-li potřeba, můžete ji snadno sejmout. Dejte však při tom pozor, aby jste se nedotýkali membrán reproduktorů.

Volba pozice reposoustav

Používáte-li reposoustavy řady CT700 pro přední kanály systému domácího kina, je jejich ideální umístění po stranách zobrazovače, v horizontální linii jeho středu. Reposoustavy by přitom neměly být dále, než zhruba 0,5m od krajů zobrazovače, aby zvukový projev korespondoval s velikostí obrazu. Prohlédněte si obrázek 1 a 2.

Při použití CT700 jako centru pro domácí kino, bylo by teoreticky nejlepší umístění reposoustavy uprostřed obrazu. To je však realizovatelné pouze v případě, že používáme projekci na průzvučné plátno. V ostatních případech je třeba reposoustavu montovat co nejblíže středu horní či spodní hrany zobrazovače, podle toho, která z nich je blíže výšce uší posluchače.

Při použití reposoustav řady CT700 pro surround kanály domácího kina je umístěte po stranách poslechové pozice nebo za ni, ideálně do takové výšky, aby vyzařovaly mírně nad posluchače.

Nežádoucí magnetické vyzařování

Reposoustavy produkují stálé magnetické pole. Proto se nedoporučuje k nim umisťovat do vzdálenosti menší než 0.5m zařízení citlivá na magnetické vyzařování (např. klasické vakuové obrazovky TV přijímačů). LCD či plazmové zobrazovače nebývají na toto vyzařování citlivé.

Připojení

Veškerá připojování provádějte pouze tehdy, jsou-li všechny přístroje v systému vypnuty.

Reposoustavy řady CT700 jsou na zadním panelu vybaveny párem šroubovacích terminálů a jedou zásuvkou Neutrik® typu Speakon®. Šroubovací terminály dovolují snadné a rychlé klasické připojení odizolovaného kabelu, zatímco Speakon® je mnohem bezpečnější a trvanlivější metodou připojení.

Pro zapojení pomocí šroubovacích terminálů, připojte kladný vodič k červeně označenému terminálu a záporný k černému, jak je znázorněno na obrázku 5a. Nesprávné zapojení může mít za následek špatný stereofonní obraz a úbytek basů.

Pro zapojení za pomoci Speakon® terminálu rozmontujte Speakon® konektor, jak je znázorněno na obrázku 5b a připojte kladný vodič k terminálu označenému +1 a záporný vodič k terminálu označenému -1. Nesprávné zapojení může mít za následek špatný stereofonní obraz a úbytek basů. Je-li konektor s připojenými kabely znovu smontován, zasuňte jej do zásuvky a zajistěte pootočením ve směru hodinových ručiček.

V otázce výběru vhodného kabelu kontaktujte svého prodejce. Dbejte, aby jeho celková impedance nepřesahovala doporučené maximum a použijte kabel s nízkou induktancí, aby se nezhoršila reprodukce vyšších frekvencí.

Neutrik® a názvy Neutrik® produktů zde zmiňované, jsou ochrannými či spravovanými známkami firmy Neutrik®.

Finální doladění

Před konečným doladěním znovu zkontrolujte, zda je veškeré zapojení provedeno správně a pevně.

Nepříjemné zdůraznění basů může být také způsobeno rezonančními mody místnosti. Každá, často i velmi malá změna poslechové pozice může mít velký vliv na vnímání těchto rezonancí. Zkuste tedy měnit místo poslechu. Velký vliv může mít také přemístění větších kusů nábytku. Chcete-li celkově snížit objem basů v reprodukci, použijte ucpávky basreflexových otvorů, jak je znázorněno na obrázku 6.

Je-li zvuk příliš ostrý, zatlumte místnost například nějakým čalouněným nábytkem (pomohou také těžké závěsy), nebo naopak takový nábytek omezte v případě, že je zvuk mdlý a utlumený.

Některé místnosti mohou způsobovat dlouhé doznívání zvuku a ozvěnu tím, že se zvuk mezi jejich zdmi odráží a „tluče“. Otestujte doznívání zvuku

tlesknutím dlaní a následným poslechem ozvěny. Ozvěnu lze redukovat vytvořením nepravidelností na protilehlých zdech či umístěním předmětů s neodrážejícím povrchem jako jsou například knihovny či obrazy.

Rozehrávání reprosoustav

Zvuk reprosoustav se během určité doby používání mírně mění. Zvláště pokud byly reprosoustavy skladovány v chladném prostředí, nabývají tlumící závěsy a některé prvky v reproduktorech teprve během provozu své správné mechanické vlastnosti.

Během prvních hodin provozu se jednotlivé části reproduktoru navzájem ideálně přizpůsobují. Délka tohoto procesu, během kterého reprosoustava postupně zvukově „vyzrává“ je velmi závislá na způsobu předchozího skladování a způsobu používání. Bývá pravidlem, že po zhruba týdnu teplotní stabilizace a asi 15 hodinách běžného provozu dosáhnou použité mechanické díly svých optimálních charakteristik.

Nicméně, i po delší době rozehrávání (i po jednom měsíci) dochází ke změnám v charakteru zvuku. Efekt rozehrávání je zvláště patrný právě u vysoce kvalitních reprosoustav. Zpočátku se zvuk může zdát příliš tvrdý a dopřednější, po rozehrání se ale předozadní prostor zvětší a zvuk je více plastický. Reprodukce je jakoby uvolněnější a hladší, aniž by se však snížila schopnost zobrazení detailů.

Údržba

Povrch ozvučnice obvykle vyžaduje jen občasné setření prachu. Pokud chcete použít aerosolový či jiný čistící prostředek, demontujte napřed krycí mřížky jemným tahem od ozvučnice. Sprej napřed nanášejte na utěrku, nikoli přímo na ozvučnici. Čistící prostředek vždy napřed vyzkoušejte na malé ploše, některé čistící prostředky by totiž mohly povrch reprosoustavy poškodit. Vyvarujte se produktů které obsahují brusiva, kyseliny či alkoholové, popř. antibakteriální složky. Žádná čisticidla nepoužívejte na samotné reproduktory. Látka použitá na krycích mřížkách může být čištěna klasickým kartáčem na šaty, napřed je však třeba ji demontovat od ozvučnice. Nikdy se nedotýkejte membrán reproduktorů, zvláště pak vysokotónového, mohli by jste je snadno poškodit.

Záruka

Výrobky firmy B&W jsou vyráběny tak, aby vyhověly všem požadavkům našeho náročného zákazníka. Nicméně, vznikne-li přesto nějaká závada, firma B&W Group Ltd. a její místní dovozce udělají vše potřebné, aby váš výrobek byl bezplatně (krom uvedených výjimek) opraven či uveden do řádného stavu.

Záruka běží po dobu 5 let a vztahuje se na neelektronické součásti výrobku. Dvouletá záruka je pak poskytována na veškeré elektronické součásti výrobků včetně zesilovačů aktivních reprosoustav.

Podmínky záruky

- 1 Záruka se vztahuje pouze na opravy výrobků. Nepokrývá přepravu reklamovaného výrobku do servisního střediska, manipulaci s ním a ani žádná rizika z přepravy a manipulace plynoucí.
- 2 Záruka platí pouze pro prvního kupce výrobku, při dalším prodeji se již nepřenáší.
- 3 Práva vyplývající ze záruky nebudou uznána v případě jiných závad než závad materiálu a dílenského zpracování a dále zejména v těchto případech:
 - a. výrobky byly špatně nainstalovány, zapojeny nebo špatně uskladněny či zabaleny,
 - b. výrobky byly zapojeny či použity jinak než se uvádí v návodu k použití, byla zanedbána jejich údržba, byly modifikovány nebo byly použity jiné než originální náhradní díly,
 - c. výrobky byly používány společně s nevhodným zařízením,
 - d. výrobky byly poškozeny nehodou, bleskem, vodou, ohněm, válkou, veřejnými nepokoji nebo nějakou jinou okolností za kterou firma B&W Group Ltd. ani její místní dovozce nemohou nést odpovědnost,
 - e. výrobní číslo výrobků bylo změněno, smazáno, odstraněno nebo se stalo nečitelným,
 - f. výrobky byly opravovány neautorizovanou osobou.
- 4 Tato záruka doplňuje místní právní úpravu záruční doby dle té které země a neplatí v těch bodech, které jsou s místní právní úpravou v rozporu. To neplatí v případech, kdy tato záruka jde nad rámec místní úpravy.

Uplatnění záruky

Uplatňujete-li reklamaci, postupujte prosím dle následujících kroků:

- 1 Reklamujete-li výrobek v zemi, ve které byl i zakoupen, kontaktujte autorizovaného prodejce výrobků B&W, kde jste výrobek zakoupili.
- 2 Reklamujete-li výrobek v jiné zemi, než ve které byl zakoupen, kontaktujte dovozce, který servis zajistí. Příslušného dovozce zjistíte buď přímo telefonicky u firmy B&W nebo na jejich www stránkách.

Při uplatňování záruky se vždy prokazujte záručním listem, který musí být opatřen datem prodeje, razítkem a podpisem autorizovaného prodejce.

Polski

Instrukcja użytkownika

Drogi Kliencie,

Dziękujemy za nabycie produktu firmy Bowers & Wilkins.

Przeczytaj tę instrukcję zanim rozpakujesz produkt i zaczniesz instalację. Instrukcja pomoże ci zoptymalizować działanie sprzętu. B&W posiada sieć autoryzowanych dystrybutorów w ponad 60 krajach. Są oni w stanie pomóc w momencie wystąpienia jakiegokolwiek problemu, którego nie może rozwiązać sam sprzedawca.

Ochrona środowiska



Produkty firmy B&W są zaprojektowane zgodnie z międzynarodowymi dyrektywami RoHS (Ograniczenie stosowania niektórych niebezpiecznych substancji w sprzęcie elektrycznym i elektronicznym) i WEEE (Zużyty sprzęt elektryczny i elektroniczny). Przekreślony znaczek pojemnika na śmieci wskazuje wypełnianie tych dyrektyw oraz nakazuje odpowiednie przetwarzanie produktów, zgodnie z powyższymi dyrektywami. Skonsultuj się z lokalną firmą przetwórstwa odpadów w celu uzyskania informacji, w jaki sposób należy je utylizować.

Zawartość zestawu

Sprawdź czy w kartonie znajdują się:

- 4 przylepne gumowe nóżki
- 2 przylepne dystansowniki
- 2 zatyczki basrefleksów
- 1 wtyczka Speakon®
- 2 wieszaki ściennie
- 4 śruby M6

Instalacja głośników:

Głośniki serii CT700 mogą być instalowane zarówno w już istniejących, jak i specjalnie zaprojektowanych pomieszczeniach przeznaczonych na domowe kino. Głośniki można również zamontować na ścianach dzięki specjalnym wieszakom różnego rodzaju.

Jeśli głośniki mają być zainstalowane we wnękach lub innego rodzaju zabudowie, ważne jest, aby upewnić się, że zabudowa jest w stanie udźwignąć ciężar głośnika i że obudowa przepuszcza dźwięk. Wibracja obudowy może bowiem poważnie zakłócić pracę głośnika. Rysunek 1 przedstawia sposób rozmieszczenia trzech głośników serii CT700 pokazując jednocześnie rekomendowane odległości pomiędzy głośnikami oraz rekomendowaną przestrzeń wokół samych głośników.

Przylepne, gumowe nóżki zostały przeznaczone do instalacji na spodzie głośnika w celu zarówno ochrony głośnika jak i redukcji niepożądanych wibracji. Przymocuj gumowe nóżki tak, aby w każdym rogu spodu głośnika znajdowała się jedna nóżka. Jeśli przestrzeń wokół głośnika zainstalowanego w zabudowie jest większa niż

20 mm od brzegów głośnika, zalecane jest wytłumienie wolnej przestrzeni. Użyj dokładnie wyciętych kawałków tapicerki lub gąbki aby wypełnić luki od tyłu głośnika aż do krawędzi przedniego panelu. Używaj materiałów, które spełniają wymogi przeciwpożarowe.

CT700 mogą być również montowane na ścianie zgodnie z jedną z dwóch poniższych metod.

Wieszaki ściennie:

Głośniki na swoich tylnych panelach posiadają 4 otwory M6 przeznaczone na zamocowanie wieszaków. Zawsze używaj obydwu wieszaków. Do zamocowania używaj dołączonych do zestawu śrub M6. Dołączone do zestawu dwa przylepne dystansowniki mogą zostać użyte aby amortyzować głośnik od ściany. Rysunek 3 przedstawia użycie wieszaków. Zanim zaczniesz instalację, upewnij się, że ściana lub inna powierzchnia, do której chcesz przymocować głośniki, jest w stanie utrzymać ich ciężar. B&W nie ponosi żadnej odpowiedzialności za ewentualne uszkodzenia ściany.

Wieszaki z łączaniem kulkowym:

Głośniki zostały wyposażone w 4 otwory M6 na spodzie każdego głośnika, które to otwory umożliwiają zamocowanie do ściany przy użyciu specjalnych wieszaków zaprojektowanych do otworów w ścianie o wymiarach 127 mm x 69.9 mm. Twój sprzedawca lub dystrybutor produktów B&W doradzi wybór odpowiednich wieszaków.

Aby przytwierdzić głośniki do takich specjalnych wieszaków najpierw zamocuj płytkę podtrzymującą do spodu głośnika. Rysunek 4 przedstawia tę czynność.

Gdy płytkę podtrzymującą zostanie już przymocowana do głośnika, głośnik może zostać przymocowany do ściany za pomocą drugiej części wieszaka. Upewnij się, czy postępujesz zgodnie z instrukcją producenta wieszaka dotyczącą instalacji wieszaka na ścianie i że ściana jest w stanie udźwignąć ciężar głośnika. B&W nie ponosi żadnej odpowiedzialności za ewentualne uszkodzenia ściany.

Niezależnie od sposobu instalacji zachowaj szczególną ostrożność przy podnoszeniu i instalowaniu głośników. Są one dość nieporęczne i ciężkie, dlatego najlepiej jest postarać się o pomoc drugiej osoby. Fabryczne maskownice w kolorze czarnym są przymocowane do głośników za pomocą magnesu i mogą być zdejmowane. Staraj się nie dotykać powierzchni głośników podczas usuwania lub ponownego zamocowania maskownicy.

Pozycjonowanie głośników

Głośniki przednie (kanał prawy i lewy) serii CT700 powinny być umieszczone po obu stronach ekranu na poziomie środka ekranu. Odległość między brzegiem ekranu (np. telewizora) a głośnikiem nie powinna być większa niż 0.5 metra, aby zapewnić jak najlepszą zgodność dźwięku z obrazem. Zobacz rysunki 1 oraz 2.

Głośnik centralny powinien być umieszczony bezpośrednio pod lub nad ekranem. W przypadku ekranów akustycznie neutralnych (przepuszczających dźwięk) głośnik centralny powinien być umieszczony bezpośrednio za ekranem.

Głośniki tylne powinny być instalowane za słuchaczem, po obu jego stronach, trochę ponad wysokość jego uszu.

Pola magnetyczne

Głośniki wytwarzają pole magnetyczne, w związku z czym nie powinny być umieszczane w odległości mniejszej niż 0.5 metra od sprzętu, który może to pole odbierać (np. komputerów osobistych, dysków komputerowych, kaset video itd.). Telewizory LCD i plazmowe nie są wrażliwe na takie pole magnetyczne.

Podłączenie

Wszystkie podłączenia powinny być wykonywane przy wyłączonym sprzęcie.

CT700 zostały wyposażone w parę gniazd wejściowych i jedno gniazdo Neutrik® Speakon® na tylnym panelu głośnika. Gniazda wejściowe pozwalają na szybkie i łatwe podłączenie „nagich” przewodów, podczas gdy gniazdo Speakon® oferuje bardziej bezpieczne i stabilne podłączenie.

Jeśli używasz gniazd wejściowych pamiętaj, aby podłączyć kabel „+” do czerwonego gniazda, a „-” do gniazda czarnego. Niewłaściwe podłączenie może skutkować pogorszeniem dźwiękiem i utratą niskich tonów. Rysunek 5a przedstawia sposób podłączenia z użyciem gniazd wejściowych.

Jeśli używasz gniazda Speakon®, rozmontuj wtyczkę Speakon® zgodnie z rysunkiem 5b, podłącz kabel „+” do gniazda oznaczonego „+1” oraz kabel „-” do gniazda „-1”. Niewłaściwe podłączenie może skutkować pogorszeniem dźwiękiem i utratą niskich tonów. Gdy wtyczka jest ponownie zmontowana można ją włożyć do gniazda i zamocować obracając zgodnie z ruchem wskazówek zegara.

Przy wyborze kabla poradź się dystrybutora. Pamiętaj, aby impedancja kabla była mniejsza od rekomendowanej w specyfikacji technicznej głośnika maksymalnej impedancji. Używaj kabli o niskiej indukcji, aby uniknąć zniekształcenia wysokich częstotliwości.

Nazwa Neutrik® i nazwy produktów Neutrik® są nazwami prawnie zastrzeżonymi.

Dostrajanie

Przed dostrajaniem upewnij się, że wszystkie podłączenia w instalacji są poprawne i bezpieczne.

Jeśli niskie tony wydają się nie zgadzać z częstotliwością, problemem jest zapewne rezonans w pomieszczeniu. Nawet niewielkie zmiany mogą wpłynąć na zmianę rezonansu. Spróbuj zmienić miejsce odsłuchu. Ustawienie czy nawet obecność dużych mebli mogą wpływać na rezonans. Jeśli generalnie chcesz zmniejszyć oddziaływanie niskich

tonów w odpowiednich otworach w głośniku zamontuj dołączone do zestawu gąbkowe korki (rysunek 6). Jeśli dźwięk jest zbyt „jasny”, umieszczenie większej ilości miętko wykończonych mebli w pokoju (a także np. ciężkich zasłon) może pomóc zbalansować dźwięk. Analogicznie, zredukowanie ilości takich mebli w pokoju może pomóc rozjaśnić zbyt stłumiony dźwięk.

Niektóre pomieszczenia wytwarzają ruchome echo – echo, które „krąży” między ścianami i elementami pomieszczenia. Sprawdź czy twoje pomieszczenie wytwarza takie echo poprzez głośne klaskanie na środku pokoju. Echo takie może zostać zredukowane poprzez umieszczenie mebli i rzeczy o nieregularnych kształtach (półki, dywaniki) na którejś ze ścian lub na podłodze.

Okres „docierania”

Jakość dźwięku odtwarzanego przez kolumny zmieni się w niewielkim stopniu w przeciągu początkowego okresu ich używania. Jeśli kolumny były przetrzymywane w chłodnym miejscu, materiały tłumiące oraz wykończeniowe głośników będą musiały przez pewien czas odzyskiwać swoje pierwotne charakterystyki. Zawieszenie głośników rozgrzeje się w pierwszych godzinach użytkowania kolumny. Czas, jaki kolumna potrzebuje na osiągnięcie nominalnych możliwości, zależy od warunków, w jakich była przechowywana oraz od sposobu, w jaki jest użytkowana. Daj kolumnie mniej więcej tydzień na ustabilizowanie temperatury oraz 15 godzin przeciętnej pracy, aby podzespoły osiągnęły zakładane przez projektantów charakterystyki.

Niemniej jednak, całkowity początkowy okres rozruchu jest dłuższy i wynosi około miesiąca. Zależy on jednak w głównej mierze od przyzwyczajenia się użytkownika do pracy kolumny, a nie od zmian wewnątrz samej kolumny. Dzieje się tak w szczególności z kolumnami, których reprodukcja ilości detali nie jest wystarczająco duża w porównaniu z ilością, do której był przyzwyczajony użytkownik. Początkowo dźwięk może wydawać się zbyt przytłaczający i trochę mocny. Jednak po pewnym czasie stanie się łagodny, ale bez utraty czystości i dokładności.

Pielęgnacja

Obudowy zazwyczaj wymagają tylko usunięcia kurzu. Jeśli chcesz użyć aerozolu lub innego środka czyszczącego, zdejmij maskownicę delikatnie ściągną ją z obudowy. Rozpyl aerozol na szmatkę, a nie bezpośrednio na produkt. Najpierw sprawdź na małej powierzchni, czy środek czyszczący nie niszczy podłoża. Unikaj materiałów szorstkich i takich, które zawierają kwas, są zasadowe lub antybakteryjne. Nie stosuj środków czyszczących na głośniki. Maskownica może być czyszczona przy użyciu normalnej ścierki, gdy sama maskownica została uprzednio zdjęta z kolumny. Unikaj dotykania głośników, a w szczególności wysokotonowego, żeby ich nie uszkodzić.

Gwarancja

Ten produkt został zaprojektowany i wyprodukowany zgodnie z najwyższymi standardami jakości. Jednak, jeśli zdarzy się jakaś awaria, firma B&W Group Ltd. oraz jej międzynarodowi dystrybutorzy gwarantują bezpłatny serwis (wyjątki mogą wystąpić) na części i robociznę w każdym kraju, w którym jest autoryzowany dystrybutor B&W.

Warunki gwarancji

- 1 Gwarancja odnosi się tylko do naprawy sprzętu. Ani transport, ani żadne inne koszty, włącznie z ryzykiem przenoszenia, transportu i instalacji produktów nie są objęte tą gwarancją.
- 2 Gwarancja jest ważna tylko dla pierwszego właściciela. Nie przechodzi na następnych właścicieli.
- 3 Gwarancja obejmuje tylko i wyłącznie wady materiałowe lub inne wady ukryte w dniu zakupu. Gwarancja nie ma zastosowania w odniesieniu do:
 - a uszkodzeń spowodowanych niewłaściwą instalacją, podłączeniem lub zapakowaniem produktu,
 - b uszkodzeń spowodowanych niewłaściwą eksploatacją, niezgodną z instrukcją obsługi, modyfikacjami produktu lub wykorzystaniem części, które nie pochodzą od lub nie mają autoryzacji B&W,
 - c uszkodzeń spowodowanych przez popsute lub niewłaściwe urządzenia towarzyszące,
 - d uszkodzeń spowodowanych przez wypadki losowe, udary pioruna, wodę, pożar, czy inne czynniki, pozostające poza kontrolą firmy B&W i jej autoryzowanych dystrybutorów,
 - e produktów, których numer seryjny został zamazany, usunięty lub przerobiony,
 - f oraz w przypadku gdy wykonano już naprawy lub modyfikacje przez firmy lub osoby nieautoryzowane.
- 4 Ta gwarancja jest dopełnieniem prawnych podstaw udzielania gwarancji, obowiązujących na terenie danego kraju i nie narusza statutowych praw klienta.

Jak reklamować sprzęt na gwarancji

Jeśli zaistnieje potrzeba oddania produktu do serwisu, prosimy zastosować się do następującej procedury:

- 1 Jeśli sprzęt jest używany w kraju zakupu, powinieneś skontaktować się z autoryzowanym dealerem, u którego sprzęt został zakupiony.
- 2 Jeśli sprzęt jest używany poza granicami kraju, powinieneś się skontaktować z dystrybutorem B&W właściwym dla miejsca zamieszkania w celu uzyskania informacji, gdzie sprzęt może być serwisowany. Możesz zadzwonić do B&W w

Wielkiej Brytanii lub odwiedzić naszą witrynę internetową aby uzyskać kontakt do lokalnego dystrybutora.

Aby uczynić ważnym żądanie gwarancyjne, należy dostarczyć oryginalną fakturę sprzedaży lub inny dowód własności, zawierający datę zakupu.

简体中文 安装手册

亲爱的顾客：

感谢你选择 Bowers & Wilkins。请在打开包装和安装产品前仔细全面地阅读本手册。它将使你的产品性能达到最佳状态。B&W 的指定代理商网络遍及全球 60 多个国家，他们可以帮助你解决那些经销商无法解决的问题。

环保信息



所有 B&W 产品的设计均符合国际上有关电子和电气设备的“有害物质限制指令 (RoHS)”的规定和“废弃电子电气设备指令 (WEEE)”的处置规定。这些标志说明了它的相符性以及产品必须恰当回收或者按照这些规定进行处理。请向当地废物处理局咨询。

纸箱内含物

检查纸箱内是否含有：

- 4 个粘性橡胶脚
- 2 个粘性橡胶隔片
- 2 个气孔塞
- 1 个 Speakon® 插头
- 2 个挂墙架
- 4 根 M6 螺钉

安装扬声器

CT700 系列扬声器既可以安装在现有的或者是特定设计的家庭影院系列机箱中，也可以使用不同的挂墙架安装在墙壁上。

如果要把扬声器安装在机箱中，请务必确保箱体能承载扬声器的重量和结构的完整性。箱板的剧烈振动可能会严重影响扬声器的音效。图 1 展示了 3 种 CT700 安装在家庭影院机箱里的扬声器，并显示了扬声器与周围空间的建议尺寸范围。

所提供的粘性橡胶脚是用来连接扬声器底部的，这样既可以保护机箱的表面又可以降低振动。于扬声器底部的每个角贴上一个粘性橡胶脚。

当扬声器安装在机箱内，如果它的周围超过约 20mm (3/4 英寸) 的空隙，把空隙填满可改善音效。小心地使用室内装饰品或者是隔音泡沫绵来进行填补，与扬声器的前障板平行。只能使用那些符合消防等级的泡沫绵。

CT700 系列扬声器可透过以下其中一种方法安装在墙上。

挂墙架：

扬声器背板上的 4 个 M6 螺孔，可连接所提供的两个挂架。请一起使用两个挂架。可使用提供的 M6 螺钉把挂架连接到扬声器的背面。两个粘性橡胶隔片可减轻扬声器对墙壁的压力。图三展示了挂架的使用方法。在使用挂架前，必须确保墙壁和设备能够支撑扬声器的重量。如对墙壁和（或）设备造成的破坏，B&W 并不负上责任。

球形接头架：

扬声器底部的 4 个 M6 螺孔，可透过使用专为 127mm x 69.9mm (5 英寸 x 2.75 英寸) 安装孔中心而设的可调校

球形接头架，把扬声器安装在墙壁上。你的销售商或 B&W 经销商会能为你提供选择合适挂架的建议。

要把球形接头架连接至 CT700 系列扬声器，首先要安全地把牙槽板连到扬声器的底部。图 4 显示了这个安装过程。

当牙槽板连接至扬声器，该组件可连接到墙上的球形零件。请确保正确地按照制造商说明书上的安装方法及确保墙壁和设备能够支撑扬声器的重量。如对墙壁和（或）设备造成的破坏，B&W 并不负上责任。

不管采用那种安装方法，提起扬声器时需特别小心。扬声器本身较重，最好由两人一起安装。

黑色纤维面网以磁石连接，需要时可移走。当移动或替换面网时请不要碰到驱动单元。

扬声器位置

当 CT700 系列扬声器用作为家庭影院系统的左右声道时，应在屏幕水平中心线的两侧各放置一只。它们应位于屏幕两侧约 0.5 米 (20 英寸) 的位置，以便使声音和图像保持同步。请参看图 1 及 2。

当 CT700 系列扬声器用作为家庭影院系统的中央声道时，应安装在屏幕中心之上或之下。如果是透声屏幕，中置扬声器应该位于屏幕中心的背后。

当 CT700 系列扬声器用作为家庭影院系统的环绕声道时，应安装在聆听位置以上的任何一边或后面。

杂散磁场

扬声器的驱动系统可产生延伸到扬声器周边以外地方的杂散磁场。我们建议你将对磁场过敏的物体（如传统的显像管电视机和电脑屏幕、电脑磁盘、录音及录像带、信用卡等）放置离它至少 0.5 米 (20 英寸) 的地方。液晶电视和等离子电视不会受这种磁场影响。

连接

连接时，请将设备关闭。

在 CT700 系列扬声器的背板上，有一对接线柱和一个 Neutrik® Speakon 连接插座。接线柱提供快捷简易的去皮音响线连接，而 Speakon 插座则提供更安全可靠的连接方式。

如使用接线柱，将正极接线连接至红色的接头，而将负极接线连接至黑色的接头。错误连接会导致劣质结像效果及低音损失。图 5a 说明了接线柱的情况。

如选择使用 Speakon®，按照图 5b 所示，解开 Speakon 插头，把正极接线连接至 +1，及负极接线连接至 -1。错误连接会导致劣质结像效果及低音损失。当插头重新装上后，可插入插座，并向顺时针方向拧紧锁定。

在选择扬声器接线时，请向经销商咨询。总电阻抗应低于扬声器规格中所建议的最大值，并使用低电感的接线，以避免高频减弱。

本部分所提到的 Neutrik® 和 Neutrik® 产品的名称均为 Neutrik® 的商标和（或）服务标记。

微调

在微调前，确保安装中的所有连接正确且安全。

如果低音与音频不平衡的话，这可能是由房间的谐振模式引起的。即使稍为改变聆听位置都会对谐振影响声音的效果造成极大的影响。尝试改变聆听位置。家具或者家具的位置也能对谐振模式产生影响。如果你

想减少低音的时候，可把泡沫绵插入扬声器的管道，如图 6 所示。

如果声音太过明亮，则在房间内增加软性的陈设品（如较重的窗帘）可以帮助平衡声音。相反，在房间内减少软性的陈设品可以使乏味的声音变得明亮。

某些房间深受“抖动回音”的影响，这种回音在房间的平行边缘之间来回“反射”。抖动回音可以使得室内扬声器的声音产生音染。测试抖动回音的方法是站在房间中间击掌。减少抖动回音的方法是在引起问题的墙壁或地板上放置形状不规则的物体或者非反射的表面，例如书架、毯子或图画。

煲机阶段

在初始试听阶段，扬声器的性能会发生细微变化。如果扬声器被安装在较冷的房间内，驱动装置的阻尼复合组件和悬挂材料会需要一些时间来恢复其正确的机械性能。驱动装置的悬挂部分也会在最初使用的几小时内松动。使扬声器达到理想性能状态的时间将因之前的储存状况和使用方法而有所变化。作为使用指引，可以用一周时间来稳定温度的影响，或者用平均使用 15 小时的时间来使机械部分达到理想的设计性能。

不过，也出现过更长时间的设备调试期（如一个月）。但证据显示这与扬声器的改变没多大关系，而与试听者适应新的声音关系更大。这在扬声器的声音细节与试听者以前所习惯的相比较有很大程度增加时，尤其如此。声音在开始时也许太过“直接”，或者有点猛烈。经过一段时间以后，声音将会变得柔美，但并不失去清晰度和细节。

保养

通常机箱表面仅需要除掉灰尘。如果希望使用气雾剂或其它清洗剂，请先小心从机箱移开面网。在清洁布上喷上气雾剂，不要直接喷到产品上。首先在小范围内测试，因有些清洗产品会损坏某些表面。避免使用可造成腐蚀、或含酸、碱、抗菌的产品。请勿在驱动单元上使用清洁剂。面网从机箱上取下来后，可用一般的布刷来清洁面网部分。要避免接触驱动单元，特别是高音单元，否则有可能会损坏。

有限保修

本产品按照最高质量标准设计和制造。不过，假如产品有任何问题，B&W Group Ltd 及其在全国的分销商将免费在 B&W 正式的分销商所服务的国家进行修理（可能有例外情况）和更换部件。

此有限保修的有效期为 5 年，从购买之日起算起。对于包括电子产品在内的有源扬声器，其保修期为 2 年。

使用条款及条件

- 1 保修仅限于对设备的维修。保修既不包括运费和其它费用，也不包括产品移动、搬运和安装中的风险。
- 2 本保修不具有转让性，仅对原有者有效。
- 3 本保修不适用于除了在购买时原材料和（或）工艺的缺陷以外的情形，以及下列情形：
 - a. 由于不正确的安装、连接和包装所引起的损坏；
 - b. 因未按照使用手册里面的正确方法使用、过失、修改而引起的损坏，或使用非 B&W 或其授权的配件而引起的损坏；

- c. 由失误或不适当的辅助设备所引起的损坏；
 - d. 由事故、闪电、水灾、火灾、战争、骚乱所引起的损坏，或在 B&W 及其指定的分销商合理控制范围之外的因素所引起的损坏；
 - e. 产品序列号被修改、删除、移去或变得模糊不清的产品；
 - f. 如维修和改动是经未经授权的人所完成的；
- 4 本保证可补充任何零售商或分销商的国家或地区的法律责任，它并不影响你作为客户的法律权利。

如何在保修期内要求维修：

如要求提供服务，请按照下列程序办理：

- 1 如果设备正在购买的国家内使用，你应该与从购买设备的 B&W 认可零售商联系。
- 2 如果设备是在购买的国家以外使用，你应当与居住国的 B&W 国内销售商联系，它们会告诉你那里可以修理设备。你可以致电英国的 B&W 或浏览我们的网站来获取你当地销售商的联系详情。

为使本保修有效，你须要填妥及保存本保修手册，并由你的零售商盖上购买的日期。或者，你须提供购买单据之正本或可证明购买日子及拥有权之凭证。

繁體中文

安裝手冊

親愛的顧客：

感謝你選擇 Bowers & Wilkins。請在打開包裝和安裝產品前仔細全面地閱讀本手冊。它將使你的產品性能達到最佳狀態。B&W 的指定代理商網路遍及全球 60 多個國家，他們可以幫助你解決那些經銷商無法解決的問題。

環保資訊



所有 B&W 產品的設計均符合國際上有關電子和電氣設備的“有害物質限制指令 (RoHS)”的規定和“廢棄電子電氣設備指令 (WEEE)”的處置規定。這些標誌說明了它的相符性以及產品必須恰當回收或者按照這些規定進行處理。請向當地廢物處理局諮詢。

紙箱內含物

檢查紙箱內是否含有：

- 4 個粘性橡膠腳
- 2 個粘性橡膠隔片
- 2 個氣孔塞
- 1 個 Speakon® 插頭
- 2 個掛牆架
- 4 根 M6 螺釘

安裝揚聲器

CT700 系列揚聲器既可以安裝在現有的或者是特定設計的家庭影院系列機箱中，也可以使用不同的掛牆架安裝在牆壁上。

如果要把揚聲器安裝在機箱中，請必須確保箱體能承載揚聲器的重量和結構的完整性。箱板的劇烈振動可能會嚴重影響揚聲器的音效。圖 1 展示了 3 種 CT700 安裝在家庭影院機箱裡的揚聲器，並顯示了揚聲器與周圍空間的建議尺寸範圍。

所提供的粘性橡膠腳是用來連接揚聲器底部的，這樣既可以保護機箱的表面又可以降低振動。於揚聲器底部的每個角貼上一個粘性橡膠腳。

當揚聲器安裝在機箱內，如果它的周圍超過約 20mm (3/4 英寸) 的空隙，把空隙填滿可改善音效。小心地使用室內裝飾品或者是隔音泡沫綿來進行填補，與揚聲器的前障板平行。只能使用那些符合消防等級的泡沫綿。

CT700 系列揚聲器可透過以下其中一種方法安裝在牆上。

掛牆架：

揚聲器背板上的 4 個 M6 螺孔，可連接所提供的兩個掛架。請一起使用兩個掛架。可使用提供的 M6 螺釘把掛架連接到揚聲器的背面。兩個粘性橡膠隔片可減輕揚聲器對牆壁的壓力。圖三展示了掛架的使用方法。在使用掛架前，必須確保牆壁和設備能夠支撐揚聲器的重量。如對牆壁和（或）設備造成的破壞，B&W 並不負上責任。

球形接頭架：

揚聲器底部的 4 個 M6 螺孔，可透過使用專為 127mm x 69.9mm (5 英寸 x 2.75 英寸) 安裝孔中心而設的可調校

球形接頭架，把揚聲器安裝在牆壁上。你的銷售商或 B&W 經銷商會能為你提供選擇合適掛架的建議。

要把球形接頭架連接至 CT700 系列揚聲器，首先要安全地把牙槽板連到揚聲器的底部。圖 4 顯示了這個安裝過程。

當牙槽板連接至揚聲器，該元件可連接到牆上的球形零件。請確保正確地按照製造商說明書上的安裝方法及確保牆壁和設備能夠支撐揚聲器的重量。如對牆壁和（或）設備造成的破壞，B&W 並不負上責任。

不管採用那種安裝方法，提起揚聲器時需特別小心。揚聲器本身較重，最好由兩人一起安裝。

黑色纖維面網以磁石連接，需要時可移走。當移動或替換面網時請不要碰到驅動單元。

揚聲器位置

當 CT700 系列揚聲器用作為家庭影院系統的左右聲道時，應在螢幕水平中心線的兩側各放置一隻。它們應位於螢幕兩側約 0.5 米 (20 英寸) 的位置，以便使聲音和圖像保持同步。請參看圖 1 及 2。

當 CT700 系列揚聲器用作為家庭影院系統的中央聲道時，應安裝在螢幕中心之上或之下。如果是透聲螢幕，中置揚聲器應該位於螢幕中心的背後。

當 CT700 系列揚聲器用作為家庭影院系統的環繞聲道時，應安裝在聆聽位置以上的任何一邊或後面。

雜散磁場

揚聲器的驅動系統可產生延伸到揚聲器周邊以外地方的雜散磁場。我們建議你將對磁場過敏的物體（如傳統的顯像管電視機和電腦螢幕、電腦磁片、錄音及錄影帶、信用卡等）放置離它至少 0.5 米 (20 英寸) 的地方。液晶電視和等離子電視不會受這種磁場影響。

連接

連接時，請將設備關閉。

在 CT700 系列揚聲器的背板上，有一對接線柱和一個 Neutrik® Speakon 連接插座。接線柱提供快捷簡易的去皮音響線連接，而 Speakon 插座則提供更安全可靠的連接方式。

如使用接線柱，將正極接線連接至紅色的接頭，而將負極接線連接至黑色的接頭。錯誤連接會導致劣質結像效果及低音損失。圖 5a 說明了接線柱的情況。

如選擇使用 Speakon®，按照圖 5b 所示，解開 Speakon 插頭，把正極接線連接至 +1，及負極接線連接至 -1。錯誤連接會導致劣質結像效果及低音損失。當插頭重新裝上後，可插入插座，並向順時針方向擰緊鎖定。

在選擇揚聲器接線時，請向經銷商諮詢。總電阻抗應低於揚聲器規格中所建議的最大值，並使用低電感的接線，以避免高頻減弱。

本部分所提到的 Neutrik® 和 Neutrik® 產品的名稱均為 Neutrik® 的商標和（或）服務標記。

微調

在微調前，確保安裝中的所有連接正確且安全。

如果低音與音頻不平衡的話，這可能是由房間的諧振模式引起的。即使稍為改變聆聽位置都會對諧振影響聲音的效果造成極大的影響。嘗試改變聆聽位置。傢俱或者傢俱的位置也能對諧振模式產生影響。如果你想減少低

音的時候，可把泡沫綿插入揚聲器的管道，如圖 6 所示。

如果聲音太過明亮，則在房間內增加軟性的陳設品（如較重的窗簾）可以幫助平衡聲音。相反，在房間內減少軟性的陳設品可以使乏味的聲音變得明亮。

某些房間深受“抖動回音”的影響，這種回音在房間的平行邊緣之間來回“反射”。抖動回音可以使得室內揚聲器的聲音產生音染。測試抖動回音的方法是站在房間中間擊掌。減少抖動回音的方法是在引起問題的牆壁或地板上放置形狀不規則的物體或者非反射的表面，例如書架、毯子或圖畫。

煲機階段

在初始試聽階段，揚聲器的性能會發生細微變化。如果揚聲器被安裝在較冷的房間內，驅動裝置的阻尼複合元件和懸掛材料會需要一些時間來恢復其正確的機械性能。驅動裝置的懸掛部分也會在最初使用的幾小時內鬆動。使揚聲器達到理想性能狀態的時間將因之前的儲存狀況和使用方法而有所變化。作為使用指引，可以用一周時間來穩定溫度的影響，或者用平均使用 15 小時的時間來使機械部分達到理想的設計性能。

不過，也出現過更長時間的設備調試期（如一個月）。但證據顯示這與揚聲器的改變沒多大關係，而與試聽者適應新的聲音關係更大。這在揚聲器的聲音細節與試聽者以前所習慣的相比較有很大程度增加時，尤其如此。聲音在開始時也許太過“直接”，或者有點猛烈。經過一段時間以後，聲音將會變得柔美，但並不失去清晰度和細節。

保養

通常機箱表面僅需要除掉灰塵。如果希望使用氣霧劑或其他清洗劑，請先小心從機箱移開面網。在清潔布上噴上氣霧劑，不要直接噴到產品上。首先在小範圍內測試，因有些清洗產品會損壞某些表面。避免使用可造成腐蝕、或含酸、堿、抗菌的產品。請勿在驅動單元上使用清潔劑。面網從機箱上取下來後，可用一般的布刷來清潔面網部分。要避免接觸驅動單元，特別是高音單元，否則有可能會損壞。

有限保修

本產品按照最高質量標準設計和製造。不過，假如產品有任何問題，B&W Group Ltd 及其在全國的分銷商將免費在 B&W 正式的分銷商所服務的國家進行修理（可能有例外情況）和更換部件。

此有限保修的有效期為 5 年，從購買之日起算起。對於包括電子產品在內的有源揚聲器，其保修期為 2 年。

使用條款及條件

- 1 保修僅限於對設備的維修。保修既不包括運費和其他費用，也不包括產品移動、搬運和安裝中的風險。
- 2 本保修不具有轉讓性，僅對原有者有效。
- 3 本保修不適用於除了在購買時原材料和（或）工藝的缺陷以外的情形，以及下列情形：
 - a. 由於不正確的安裝、連接和包裝所引起的損壞；
 - b. 因未按照使用手冊裡面的正確方法使用、過失、修改而引起的損壞，或使用非 B&W 或其授權的配件而引起的損壞；

- c. 由失誤或不適當的輔助設備所引起的損壞；
 - d. 由事故、閃電、水災、火災、戰爭、騷亂所引起的損壞，或在 B&W 及其指定的分銷商合理控制範圍之外的因素所引起的損壞；
 - e. 產品序列號被修改、刪除、移去或變得模糊不清的產品；
 - f. 如維修和改動是經未經授權的人所完成的；
- 4 本保證可補充任何零售商或分銷商的國家或地區的法律責任，它並不影響你作為客戶的法律權利。

如何在保修期內要求維修：

如要求提供服務，請按照下列程式辦理：

- 1 如果設備正在購買的國家內使用，你應該與從購買設備的 B&W 認可零售商聯繫。
- 2 如果設備是在購買的國家以外使用，你應當與居住國的 B&W 國內銷售商聯繫，它們會告訴你那裡可以修理設備。你可以致電英國的 B&W 或瀏覽我們的網站來獲取你當地銷售商的聯繫詳情。

為使本保修有效，你須要填妥及保存本保修手冊，並由你的零售商蓋上購買的日期。或者，你須提供購買單據之正本或可證明購買日子及擁有權之憑證。

EU DECLARATION OF CONFORMITY

We,

B&W Group Ltd.

whose registered office is situated at

Dale Road, Worthing, West Sussex, BN11 2BH, United Kingdom

declare under our sole responsibility that the products:

CT7.3 LCRS

CT7.4 LCRS

CT7.5 LCRS

complies with the EU Electro-Magnetic Compatibility (EMC) Directive 89/336/EEC, in pursuance of which the following standards have been applied:

EN 61000-6-1 : 2001

EN 61000-6-3 : 2001

EN 55020 : 2002

EN 55013 : 2001

and complies with the EU General Product Safety 2001/95/EC, in pursuance of which the following standard has been applied:

EN 60065 : 2002

This declaration attests that the manufacturing process quality control and product documentation accord with the need to assure continued compliance.

The attention of the user is drawn to any special measures regarding the use of this equipment that may be detailed in the owner's manual.

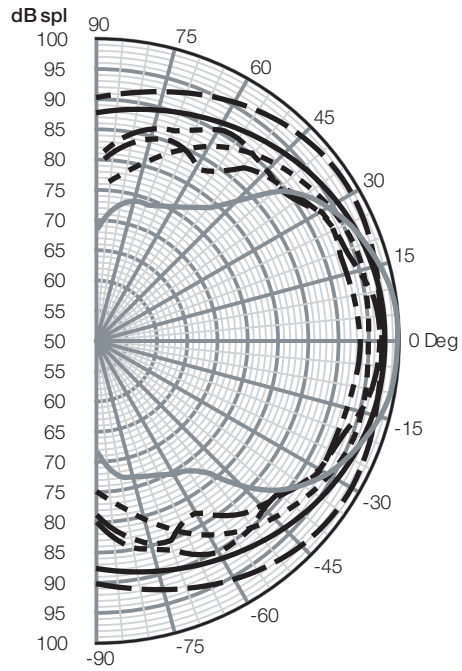
Signed:



G Edwards
Executive Vice President, Operations
B&W Group Ltd.

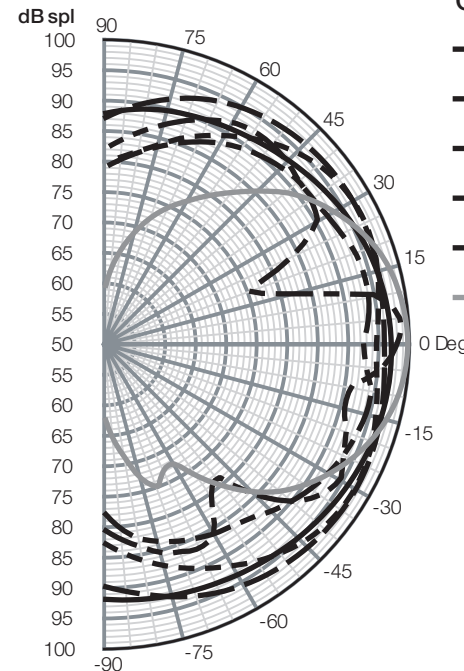
CT7.3

Horizontal Polar Plot



Curve	Freq	BW	Q	DI
—	500.00	122	3.0	4.7
- - -	1.00k	173	2.1	3.2
- - - -	2.00k	111	3.2	5.1
- - - - -	4.00k	75	4.8	6.8
- - - - - -	8.00k	136	2.6	4.2
—	16.00k	62	5.8	7.7

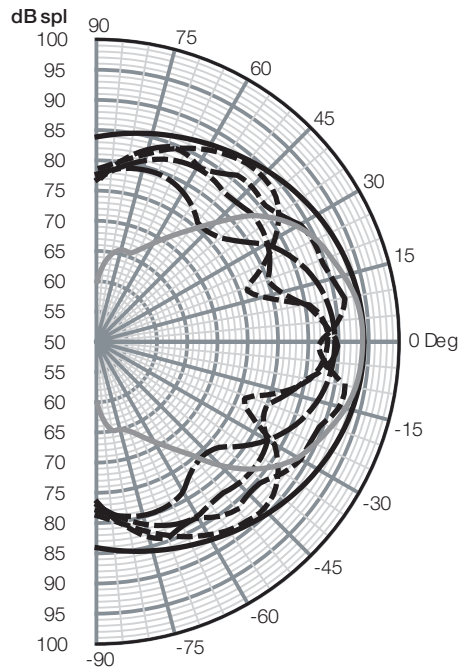
Vertical Polar Plot



Curve	Freq	BW	Q	DI
—	500.00	145	2.5	3.9
- - -	1.00k	169	2.1	3.3
- - - -	2.00k	135	2.7	4.3
- - - - -	4.00k	18	19.8	13.0
- - - - - -	8.00k	135	2.7	4.3
—	16.00k	56	6.4	8.1

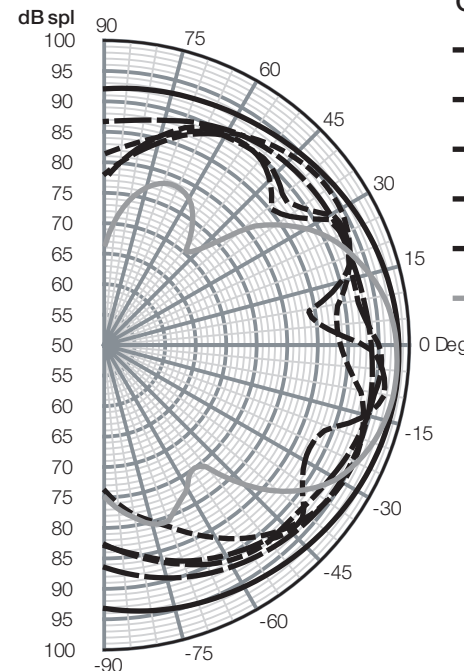
CT7.4

Horizontal Polar Plot



Curve	Freq	BW	Q	DI
—	500.00	115	3.1	5.0
- - -	1.00k	56	6.4	8.1
- - - -	2.00k	25	14.1	11.5
- - - - -	4.00k	24	15.2	11.8
- - - - - -	8.00k	162	2.2	3.5
—	16.00k	60	6.0	7.8

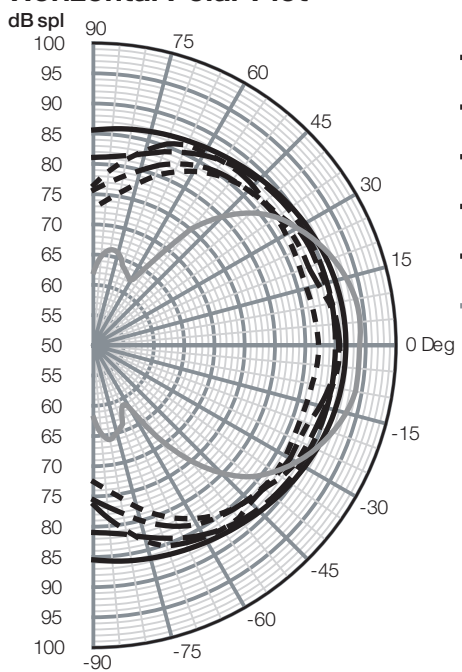
Vertical Polar Plot



Curve	Freq	BW	Q	DI
—	500.00	180	2.0	3.0
- - -	1.00k	164	2.2	3.4
- - - -	2.00k	151	2.4	3.8
- - - - -	4.00k	24	15.2	11.8
- - - - - -	8.00k	100	3.6	5.6
—	16.00k	55	6.6	8.2

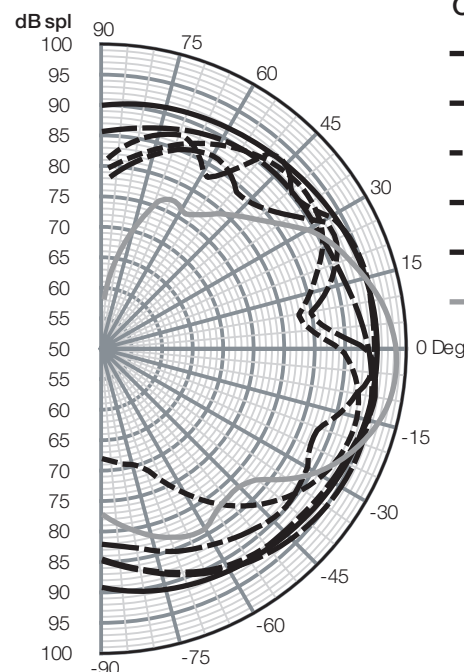
CT7.5

Horizontal Polar Plot

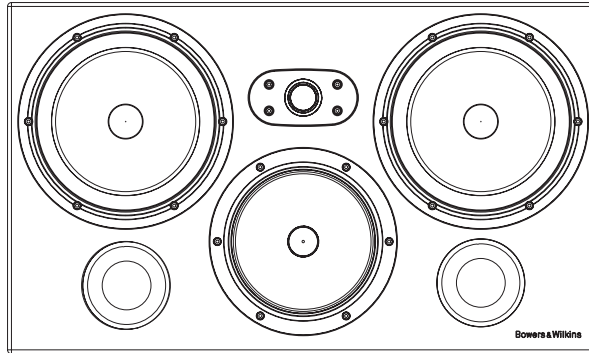


Curve	Freq	BW	Q	DI
—	500.00	180	2.0	3.0
- - -	1.00k	140	2.6	4.1
- - - -	2.00k	133	2.7	4.3
- - - - -	4.00k	118	3.0	4.8
- - - - - -	8.00k	144	2.5	4.0
—	16.00k	64	5.7	7.5

Vertical Polar Plot

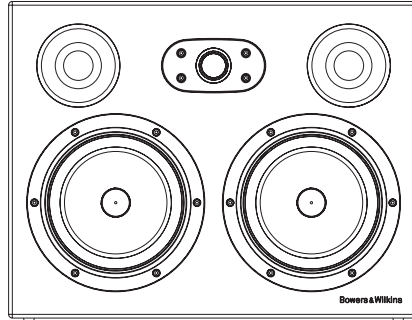


Curve	Freq	BW	Q	DI
—	500.00	180	2.0	3.0
- - -	1.00k	153	2.4	3.7
- - - -	2.00k	56	6.4	8.1
- - - - -	4.00k	22	16.5	12.2
- - - - - -	8.00k	124	2.9	4.6
—	16.00k	49	7.3	8.7



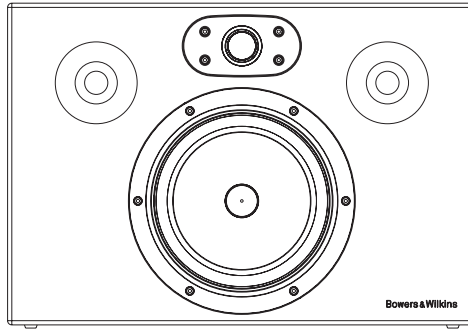
CT7.3 LCRS

Technical features	<p>Nautilus™ tube-loaded tweeter Kevlar® brand fibre cone FST™ midrange Paper/Kevlar® brand cone bass driver Flowport™ Magnetically attached grille</p>
Description	3-way vented-box system
Drive units	<p>1x ø25mm (1 in) cloth dome high-frequency 1x ø150mm (6 in) woven blue Kevlar® FST™ midrange 2x ø200mm (8 in) paper/Kevlar® bass units</p>
Frequency range	-6dB at 36Hz and 28kHz
Frequency response	42Hz - 22kHz ±3dB on reference axis
Dispersion	<p>Within 2dB of reference response Horizontal: over 60° arc Vertical: over 10° arc</p>
Sensitivity	92dB spl (2.83V, 1m)
Harmonic distortion	<p>2nd and 3rd harmonics (90dB, 1m) <1% 50Hz - 20kHz</p>
Nominal impedance	8Ω (minimum 3.0Ω)
Crossover frequencies	350Hz, 4kHz
Recommended amplifier power	50W - 200W into 8Ω on unclipped programme
Max. recommended cable impedance	0.1Ω
Dimensions	<p>Height: 360mm (14.2 in) Width: 606mm (23.9 in) Depth: 265mm (10.5 in) (including grille and terminals) Depth with grille: 288mm (11.3 in)</p>
Net weight	22.5kg (49.5 lb)



CT7.4 LCRS

Technical features	Nautilus™ tube-loaded tweeter Kevlar® brand fibre cone bass/midrange Flowport™ Magnetically attached grille
Description	2-way vented-box system
Drive units	1x ø25mm (1 in) cloth dome high-frequency 2x ø165mm (6.5 in) woven Kevlar® cone bass/midrange
Frequency range	-6dB at 43Hz and 28kHz
Frequency response	49Hz - 22kHz ±3dB on reference axis
Dispersion	Within 2dB of reference response Horizontal: over 60° arc Vertical: over 10° arc
Sensitivity	94dB spl (2.83V, 1m)
Harmonic distortion	2nd and 3rd harmonics (90dB, 1m) <1% 90Hz - 20kHz
Nominal impedance	8Ω (minimum 4.0Ω)
Crossover frequency	4kHz
Recommended amplifier power	50W - 150W into 8Ω on unclipped programme
Max. recommended cable impedance	0.1Ω
Dimensions	Height: 343mm (13.5 in) Width: 444mm (17.5 in) Depth: 265mm (10.5 in) Depth with grille: 288mm (11.3 in)
Net weight	16.5kg (36.3 lb)



CT7.5 LCRS

Technical features	Nautilus™ tube-loaded tweeter Kevlar® brand fibre bass/midrange Flowport™ Magnetically attached grille
Description	2-way vented-box system
Drive units	1x ø25mm (1 in) cloth dome high-frequency 1x ø180mm (7 in) woven blue Kevlar® bass/midrange
Frequency range	-6dB at 48Hz and 28kHz
Frequency response	55Hz - 22kHz ±3dB on reference axis
Dispersion	Within 2dB of reference response Horizontal: over 60° arc Vertical: over 10° arc
Sensitivity	92dB spl (2.83V, 1m)
Harmonic distortion	2nd and 3rd harmonics (90dB, 1m) <1% 100Hz - 20kHz
Nominal impedance	8Ω (minimum 4.6Ω)
Crossover frequency	4kHz
Recommended amplifier power	50W - 120W into 8Ω on unclipped programme
Max. recommended cable impedance	0.1Ω
Dimensions	Height: 305mm (12 in) Width: 444mm (17.5 in) Depth: 265mm (10.5 in) Depth including grille: 288mm (11.3 in)
Net weight	11.5kg (25.3 lb)

Owner details

Title, first name, surname _____

Address _____

Town, postcode, country _____

e-mail address _____

Model _____

Serial number _____

Date of purchase _____

Dealer name _____

Address _____

Town, postcode, country _____

e-mail address _____

Bowers & Wilkins

B&W Group Ltd.
Dale Road
Worthing West Sussex
BN11 2BH England

T +44 (0) 1903 221 800
F +44 (0) 1903 221 801
info@bwgroup.com
www.bowers-wilkins.com

B&W Group (UK Sales)
T +44 1903 221 500
E uksales@bwgroup.com

B&W Group North America
T +1 978 664 2870
E marketing@bwgroupusa.com

B&W Group Asia Ltd.
T +852 3 472 9300
E info@bwgroup.hk

Neutrik and Speakon are registered
trademarks of Neutrik AG.
Kevlar is a registered trademark of DuPont.
Nautilus is a trademark of B&W Group Ltd.
Copyright © B&W Group Ltd. E&OE
Printed in China.