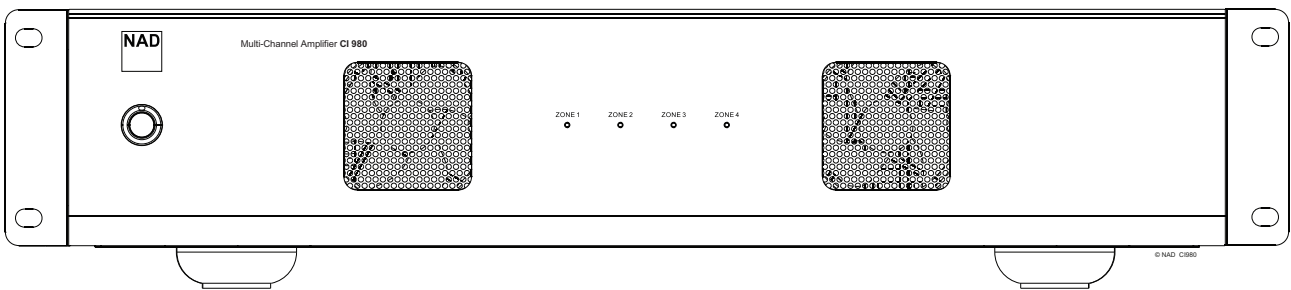




CI 980

Multi-Channel Amplifier




Owner's Manual

IMPORTANT SAFETY INSTRUCTIONS

SAVE THESE INSTRUCTIONS FOR LATER USE.

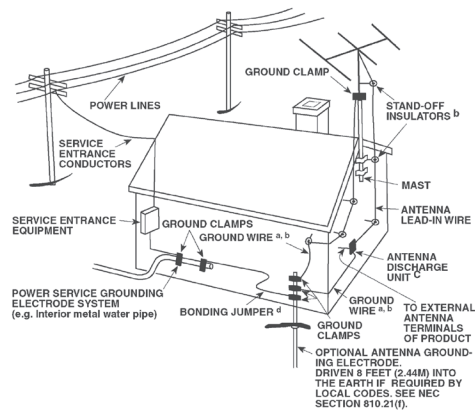
FOLLOW ALL WARNINGS AND INSTRUCTIONS MARKED ON THE AUDIO EQUIPMENT.

- 1 Read instructions** - All the safety and operating instructions should be read before the product is operated.
- 2 Retain instructions** - The safety and operating instructions should be retained for future reference.
- 3 Heed Warnings** - All warnings on the product and in the operating instructions should be adhered to.
- 4 Follow Instructions** - All operating and use instructions should be followed.
- 5 Cleaning** - Unplug this product from the wall outlet before cleaning. Do not use liquid cleaners or aerosol cleaners. Use a damp cloth for cleaning.
- 6 Attachments** - Do not use attachments not recommended by the product manufacturer as they may cause hazards.
- 7 Water and Moisture** - Do not use this product near water—for example, near a bath tub, wash bowl, kitchen sink, or laundry tub; in a wet basement; or near a swimming pool; and the like.
- 8 Accessories** - Do not place this product on an unstable cart, stand, tripod, bracket, or table. The product may fall, causing serious injury to a child or adult, and serious damage to the product. Use only with a cart, stand, tripod, bracket, or table recommended by the manufacturer, or sold with the product. Any mounting of the product should follow the manufacturer's instructions, and should use a mounting accessory recommended by the manufacturer.
- 9**  A product and cart combination should be moved with care. Quick stops, excessive force, and uneven surfaces may cause the product and cart combination to overturn.
- 10 Ventilation** - Slots and openings in the cabinet are provided for ventilation and to ensure reliable operation of the product and to protect it from overheating, and these openings must not be blocked or covered. The openings should never be blocked by placing the product on a bed, sofa, rug, or other similar surface. This product should not be placed in a built-in installation such as a bookcase or rack unless proper ventilation is provided or the manufacturer's instructions have been adhered to.
- 11 Power Sources** - This product should be operated only from the type of power source indicated on the marking label. If you are not sure of the type of power supply to your home, consult your product dealer or local power company.
The primary method of isolating the amplifier from the mains supply is to disconnect the mains plug. Ensure that the mains plug remains accessible at all times. Unplug the AC power cord from the AC outlet if the unit will not be used for several months or more.
- 12 Grounding or Polarization** - This product may be equipped with a polarized alternating-current line plug (a plug having one blade wider than the other). This plug will fit into the power outlet only one way. This is a safety feature. If you are unable to insert the plug fully into the outlet, try reversing the plug. If the plug should still fail to fit, contact your electrician to replace your obsolete outlet. Do not defeat the safety purpose of the polarized plug.
- 13 Power - Cord Protection** - Power-supply cords should be routed so that they are not likely to be walked on or pinched by items placed upon or against them, paying particular attention to cords at plugs, convenience receptacles, and the point where they exit from the product.

- 14 Outdoor Antenna Grounding** - If an outside antenna or cable system is connected to the product, be sure the antenna or cable system is grounded so as to provide some protection against voltage surges and built-up static charges. Article 810 of the National Electrical Code, ANSI/NFPA 70, provides information with regard to proper grounding of the mast and supporting structure, grounding of the lead-in wire to an antenna discharge unit, size of grounding conductors, location of antenna discharge unit, connection to grounding electrodes, and requirements for the grounding electrode.

NOTE TO CATV SYSTEM INSTALLER

This reminder is provided to call the CATV system installer's attention to Section 820-40 of the NEC which provides guidelines for proper grounding and, in particular, specifies that the cable ground shall be connected to the grounding system of the building, as close to the point of cable entry as practical.



- 15 Lightning** - For added protection for this product during a lightning storm, or when it is left unattended and unused for long periods of time, unplug it from the wall outlet and disconnect the antenna or cable system. This will prevent damage to the product due to lightning and power-line surges.
- 16 Power Lines** - An outside antenna system should not be located in the vicinity of overhead power lines or other electric light or power circuits, or where it can fall into such power lines or circuits. When installing an outside antenna system, extreme care should be taken to keep from touching such power lines or circuits as contact with them might be fatal.
- 17 Overloading** - Do not overload wall outlets, extension cords, or integral convenience receptacles as this can result in a risk of fire or electric shock.
- 18 Object and Liquid Entry** - Never push objects of any kind into this product through openings as they may touch dangerous voltage points or short-out parts that could result in a fire or electric shock. Never spill liquid of any kind on the product.

WARNING: THE APPARATUS SHOULD NOT BE EXPOSED TO DRIPPING OR SPLASHING, AND OBJECTS FILLED WITH LIQUIDS, SUCH AS VASES, SHOULD NOT BE PLACED ON THE APPARATUS. AS WITH ANY ELECTRONIC PRODUCTS, USE CARE NOT TO SPILL LIQUIDS INTO ANY PART OF THE SYSTEM. LIQUIDS CAN CAUSE A FAILURE AND/OR A FIRE HAZARD.

19 Damage Requiring Service - Unplug this product from the wall outlet and refer servicing to qualified service personnel under the following conditions:

- a) When the power-supply cord or plug is damaged.
- b) If liquid has been spilled, or objects have fallen into the product.
- c) If the product has been exposed to rain or water.
- d) If the product does not operate normally by following the operating instructions. Adjust only those controls that are covered by the operating instructions as an improper adjustment of other controls may result in damage and will often require extensive work by a qualified technician to restore the product to its normal operation.
- e) If the product has been dropped or damaged in any way.
- f) when the product exhibits a distinct change in performance-this indicates a need for service.

20 Replacement Parts - When replacement parts are required, be sure the service technician has used replacement parts specified by the manufacturer or have the same characteristics as the original part. Unauthorized substitutions may result in fire, electric shock, or other hazards.

21 Safety Check - Upon completion of any service or repairs to this product, ask the service technician to perform safety checks to determine that the product is in proper operating condition.

22 Wall or Ceiling Mounting - The product should be mounted to a wall or ceiling only as recommended by the manufacturer.

23 Heat - The product should be situated away from heat sources such as radiators, heat registers, stoves or other products (including amplifiers) that produce heat.

WARNING

TO REDUCE THE RISK OF FIRE OR ELECTRIC SHOCK, DO NOT EXPOSE THIS PRODUCT TO RAIN OR MOISTURE.

CAUTION

TO PREVENT ELECTRIC SHOCK, MATCH WIDE BLADE OF PLUG TO WIDE SLOT, FULLY INSERT.



THE LIGHTNING FLASH WITH ARROWHEAD SYMBOL, WITHIN AN EQUILATERAL TRIANGLE, IS INTENDED TO ALERT THE USER TO THE PRESENCE OF UNINSULATED "DANGEROUS VOLTAGE" WITHIN THE PRODUCT'S ENCLOSURE THAT MAYBE OF SUFFICIENT MAGNITUDE TO CONSTITUTE A RISK OF ELECTRIC SHOCK TO PERSONS.



THE EXCLAMATION POINT WITHIN AN EQUILATERAL TRIANGLE IS INTENDED TO ALERT THE USER TO THE PRESENCE OF IMPORTANT OPERATING AND MAINTENANCE (SERVICING) INSTRUCTIONS IN THE LITERATURE ACCOMPANYING THE APPLIANCE.



The equipment draws its nominal non-operational power from the AC outlet with its POWER switch at the ON position. The socket-outlet shall be installed near the apparatus and shall be easily accessible.

CAUTION

Changes or modifications to this equipment not expressly approved by NAD Electronics for compliance could void the user's authority to operate this equipment.

CAUTION REGARDING PLACEMENT

To maintain proper ventilation, be sure to leave a space around the unit (from the largest outer dimensions including projections) that is equal to or greater than shown below.

- Left and Right Panels: 10 cm
- Rear Panel: 10 cm
- Top Panel: 10 cm

IMPORTANT SAFETY INSTRUCTIONS

NOTES ON ENVIRONMENTAL PROTECTION



At the end of its useful life, this product must not be disposed of with regular household waste but must be returned to a collection point for the recycling of electrical and electronic equipment. The symbol on the product, user's manual and packaging, point this out.

The materials can be reused in accordance with their markings. Through re-use, recycling of raw materials or other forms of recycling of old products, you are making an important contribution to the protection of our environment. Your local administrative office can advise you of the responsible waste disposal point.

INFORMATION ABOUT COLLECTION AND DISPOSAL OF WASTE BATTERIES (DIRECTIVE 2006/66/EC OF THE EUROPEAN PARLIAMENT AND THE COUNCIL OF EUROPEAN UNION) (FOR EUROPEAN CUSTOMERS ONLY)



Pb

Batteries bearing any of these symbols indicate that they should be treated as "separate collection" and not as municipal waste. It is encouraged that necessary measures are implemented to maximize the separate collection of waste batteries and to minimize the disposal of batteries as mixed municipal waste.



Hg

Cd

End-users are exhorted not to dispose waste batteries as unsorted municipal waste. In order to

achieve a high level of recycling waste batteries, discard waste batteries separately and properly through an accessible collection point in your vicinity. For more information about collection and recycling of waste batteries, please contact your local municipality, your waste disposal service or the point of sale where you purchased the items.

By ensuring compliance and conformance to proper disposal of waste batteries, potential hazardous effects on human health is prevented and the negative impact of batteries and waste batteries on the environment is minimized, thus contributing to the protection, preservation and quality improvement of the environment.

RECORD YOUR MODEL NUMBER (NOW, WHILE YOU CAN SEE IT)

The model and serial number of your new CI 980 are located on the back of the cabinet. For your future convenience, we suggest that you record these numbers here:

Model no:

Serial no.:

QUICK START

Refer to the supplied CI 980 Quick Setup Guide for basic instructions in setting up your new NAD CI 980. The following important notes must also be observed when setting up your CI 980.

IMPORTANT SETUP NOTES

- Before setting up or making connections, ensure that the CI 980 and other devices to be connected to CI 980 are unplugged or powered down.
- Connect the speaker cables to the supplied speaker connectors by following the corresponding ZONE (ZONE 1-4) speaker terminal connections (R +/-, L +/-) as reflected in the CI 980 rear panel.
- Bare wire or loose strands from the speaker cables must not touch the rear panel or other speaker terminals.
- After installing the speaker cables to the supplied speaker connectors, plug in the speaker connector to corresponding ZONE (ZONE 1-4) speaker terminal of CI 980.
- Connect corresponding end of the mains power cord to the AC mains input of CI 980 and the plug connected to a mains power source.
- Set the POWER switch at the rear panel to "ON" setting (TRIGGER OFF/ON/AUTO switch set to OFF position). The Standby LED indicator will illuminate amber. Press the STANDBY button to turn ON the CI 980. The Standby LED indicator will turn from amber to blue.

SAVE THE PACKAGING

Please save the box and all of the packaging in which your CI 980 arrived. Should you move or otherwise need to transport your CI 980, this is by far the safest container in which to do so. We've seen too many otherwise perfect components damaged in transit for lack of a proper shipping carton, so please: Save that box!

NOTES ON INSTALLATION

- Place your NAD CI 980 on a firm, level surface.
- Avoid placing the unit in direct sunlight or near sources of heat and damp.
- Do not place the unit on a soft surface like a carpet.
- Do not place the CI 980 in an enclosed position such as a bookcase or cabinet that may impede the air-flow through the ventilation slots. Allow adequate ventilation.
- Make sure the unit is switched off before making any connections.
- The RCA sockets on your NAD CI 980 are color coded for convenience. Red and white are Right and Left audio respectively. Use high quality leads and sockets for optimum performance and reliability.
- Ensure that leads and sockets are not damaged in any way and all sockets are firmly pushed home.
- Should water get into your NAD CI 980, shut off the power to the unit and remove the plug from the AC socket. Have the unit inspected by a qualified service technician before attempting to use it again.
- Use a dry soft cloth to clean the unit. If necessary, lightly dampen the cloth with soapy water. Do not use solutions containing benzol or other volatile agents.

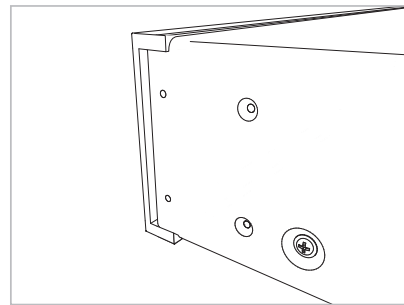
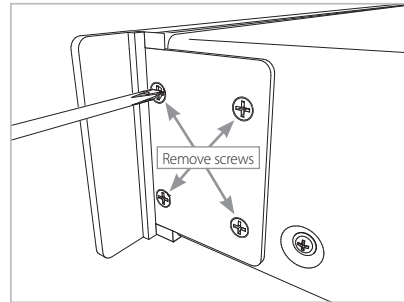
DO NOT REMOVE THE COVER; THERE ARE NO USER-SERVICEABLE PARTS INSIDE.

INSTALLATION OF RACKMOUNT BARS

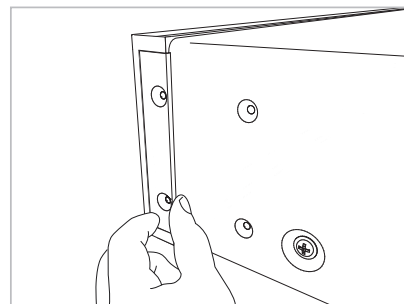
A pair of rackmount bars is included in the packaging. This is used in place of the rackmount if the customer decides to remove it. The following is the procedure on how to remove the rackmount and replace it with the rackmount bars.

Below steps apply to both rackmounts and rackmount bars located on the left and right sides of the front panel.

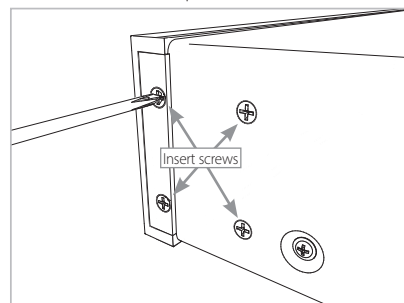
- 1 Uninstall the rackmount by removing all four screws. Set aside these screws as they will be used in Step 3 below.



- 2 Install the rackmount bar ensuring that it aligns with the rackmount holes. The tapered holes of the rackmount bars should be positioned outside and not beneath.

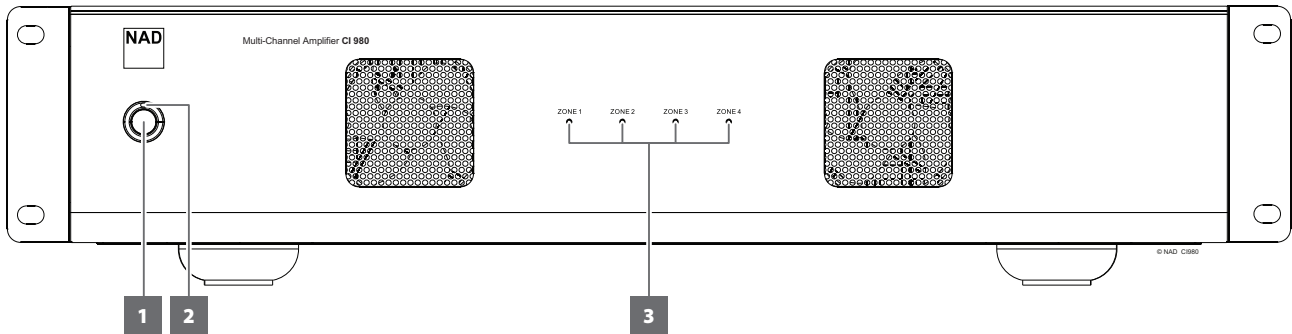


- 3 Use the two screws to fix into place the rackmount bar. Use the other two screws to cover up the two vacant screw holes.



IDENTIFICATION OF CONTROLS

FRONT PANEL



1 STANDBY BUTTON

- Press this button to switch ON the CI 980. The Standby LED indicator will turn from amber to blue.
- Pressing the Standby button again turns the unit back to standby mode.

IMPORTANT NOTICE

The rear panel POWER switch must be in the ON position for the Standby button to activate.

2 STANDBY LED

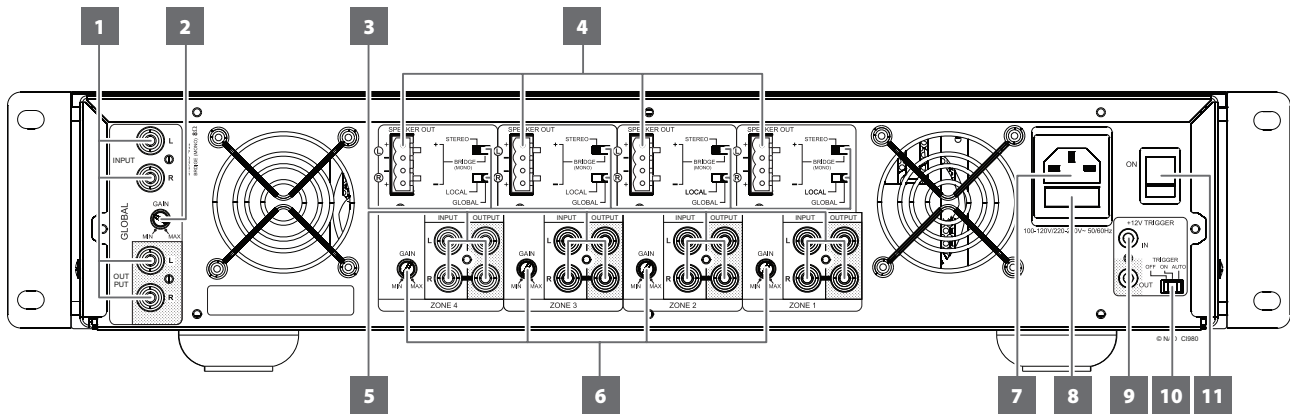
- This indicator will light up amber when the CI 980 is in standby mode. When the CI 980 is powered up from standby mode, this indicator will illuminate blue.
- At auto sense mode, this indicator will stay blue for about 10 minutes after any active input signal is shut down and then eventually turns amber at standby mode.

3 ZONE 1 – 4 LED INDICATORS

- Particular Zone indicators will light up blue whenever there is an active input signal or source connected at corresponding input terminals.
- Particular Zone indicators will extinguish (no light) in the absence of active input signal or source connected at corresponding input terminals.

IMPORTANT NOTICE

If the selected source is GLOBAL and there is an active source at GLOBAL's INPUT terminals, all four (ZONE 1-4) will illuminate at the same time.



ATTENTION!

Please make sure that the CI 980 is powered OFF or unplugged before making any connections. It is also advisable to power-down or unplug all associated components while making or breaking any signal or AC power connections.

1 GLOBAL INPUT/OUTPUT

- Always turn OFF the CI 980 and other components in the system before connecting or disconnecting anything to GLOBAL's INPUT/OUTPUT terminals.
- Connect the output from a pre-amplifier or processor, such as a surround-sound decoder, to the INPUT terminals. Use a twin RCA-to-RCA lead to connect the left and right "Audio Output" of the preamplifier or processor to these INPUT terminals.
- The OUTPUT terminal is a line level "loop through" output. The same level of input signal at the INPUT terminals is available at the OUTPUT terminals thereby allowing the same signal to be shared or passed on to another amplifier.
- These INPUT/OUTPUT terminals are dedicated only to GLOBAL settings.
- If the LOCAL/GLOBAL mode selector switch of a particular ZONE is set to GLOBAL, the source connected to GLOBAL's INPUT terminals will become the active input for the particular ZONE.

2 GLOBAL GAIN CONTROL

- Before switching ON the CI 980 from standby mode for the first time, make sure all GAIN controls are set to minimum (MIN) level position.
- This GAIN control is dedicated only to GLOBAL settings. Rotate clockwise or counterclockwise to adjust GLOBAL's audio level with respect to the GLOBAL source's input signal.
- Refer also to item about GAIN CONTROL (ZONE 1- 4).

3 STEREO/BRIDGE MODE SELECTOR SWITCH (ZONE 1- 4)

- Depending upon the corresponding speaker setup connection, slide the particular Zone's selector switch to either STEREO or BRIDGE mode.

LOCAL/GLOBAL MODE SELECTOR SWITCH

- Slide particular Zone's selector switch to either LOCAL or GLOBAL depending upon the selected input. If GLOBAL is selected, the source connected to GLOBAL's INPUT terminals will become the active input for the particular ZONE. On the other hand, if LOCAL is selected, the active source at corresponding Zone's INPUT terminals will be applied.

To illustrate, if LOCAL/GLOBAL mode selector switch of ZONE 4 is set to GLOBAL, the input from GLOBAL's INPUT terminals will be the active input for ZONE 4. On the other hand, if LOCAL/GLOBAL mode selector switch of ZONE 4 is set to LOCAL, input from ZONE 4 INPUT terminals will be the active input for ZONE 4.

4 SPEAKER OUT (ZONE 1 - 4)

- Connect the speaker cables to the supplied speaker connector with reference to the particular Zone's SPEAKER OUT terminal markings in the rear panel.
- At STEREO mode, ensure that particular Zone's "R+" is connected to the "+" terminal of your right speaker and "R-" connected to the speaker's "-" terminal. Connect the particular Zone's SPEAKER OUT terminals marked "L+" and "L-" to the left speaker in the same way.

STEREO MODE SPEAKER CONNECTION	SPEAKER OUT "R" TERMINAL		SPEAKER OUT "L" TERMINAL	
	R+	R-	L+	L-
Left speaker terminals			+	-
Right speaker terminals	+	-		

IDENTIFICATION OF CONTROLS

REAR PANEL

BRIDGE MODE

A particular ZONE can be configured to be MONO (Bridge Mode), more than doubling its output power. This way, a particular ZONE can be used as part of a high power stereo or home-theatre system by connecting additional power amplifiers.

In Bridge Mode, a particular ZONE will produce approximately 100W into an 8-ohm loudspeaker.

When bridging 2 zones, one zone will become the left channel while the other zone will be the right channel of the stereo signal. Note that the stereo source should be connected to the RCA input marked LEFT on each zone.

BRIDGE MODE INPUT SIGNAL	RCA INPUT LEFT CHANNEL		RCA INPUT RIGHT CHANNEL	
	R	L	R	L
Speaker terminals		✓		✓

Connect the single speaker to the particular Zone's SPEAKER OUT terminals marked "R +" and "L+" ensuring that "L+" is connected to the speaker's "+" terminal and "R+" connected to the speaker's "-" terminal.

BRIDGE MODE SPEAKER CONNECTION	SPEAKER OUT "R" TERMINAL		SPEAKER OUT "L" TERMINAL	
	R+	R-	L+	L-
Speaker terminals	-		+	

It is important to note that in Bridge Mode, the amplifier section will react as though the speaker impedance has been halved. Low impedance speakers (under 8 ohms) are therefore not recommended as these may cause the amplifier's thermal cut-out to operate if played at high levels.

5 INPUT/OUTPUT (ZONE 1 - 4)

- These INPUT/OUTPUT terminals are dedicated to their respective ZONE SPEAKERS.
- Always turn OFF the CI 980 and other components in the system before connecting or disconnecting anything to the INPUT/OUTPUT terminals.
- Connect the output from a pre-amplifier or processor, such as a surround-sound decoder, to corresponding Zone's INPUT terminals. Use a twin RCA-to-RCA lead to connect the left and right "Audio Output" of the preamplifier or processor to these INPUT terminals.
- A Zone's OUTPUT terminal is a line level "loop through" output. The same level of input signal at the INPUT terminals of a particular Zone is available at the corresponding OUTPUT terminals thereby allowing the same signal to be shared or passed on to another amplifier.

6 GAIN CONTROL (ZONE 1-4)

- The CI 980 is equipped with separate GAIN controls for each Zone.
- Before switching ON the CI 980 from standby mode for the first time, make sure all GAIN controls are set to minimum (MIN) level position.
- Rotate clockwise or counterclockwise a Zone's GAIN control to adjust its audio level with respect to the corresponding Zone's INPUT source signal.

Level Matching

In a surround sound or system with more than one set of speakers, differences in levels can occur due to varying inefficiencies among the speakers. In case your preamplifier or processor also has individual trims for each channel, set these to neutral or mid position (usually marked as 0dB). Adjust the GAIN control so that the speakers driven by the CI 980 have the correct level compared to the other speakers, judging from your listening position.

Extended Volume Control Range

Many systems have so much voltage gain that the speakers (or your ears) are overdriven at any volume control setting higher than 11 or 12 o'clock. As a result you are confined to using only the lower half of the volume control's range, where adjustments are imprecise and where channel balance errors tend to be greater.

If the input level is reduced, you can turn up the volume control of your processor or preamplifier, making more effective use of its range. (Suggestion: Adjust the GAIN controls so that your preferred maximum sound levels usually occur at about 2 or 3 o'clock on the volume control). As an added benefit, this procedure suppresses any noise produced by the preamplifier's high level circuitry (e.g. any residual hum or hiss that does not go away when the Volume is turned down).

7 AC MAINS INPUT

- The CI 980 comes supplied with a separate AC Mains cable.
- Before connecting the plug to the mains power source, ensure that it is firmly connected to the CI 980's AC Mains input socket first.
- Always disconnect the mains power plug from the mains power source first, before disconnecting the cable from the CI 980's AC Mains input socket.

8 FUSE HOLDER

- In the unlikely event a fuse may need to be replaced, unplug the AC cord from the wall. Then, remove all connections from the amplifier. Use a flathead screwdriver or similar to open the fuse holder via the slot located on the top edge of the fuse holder. With the screwdriver in place, push it outward to unlatch and open the fuse holder.
- Only replace the fuse with the same type, size, and specification - T6.3AL 250V.

IMPORTANT NOTICE

Do not use any substitute fuses of different types or with different ratings or values. Failure to observe this precaution may cause damage to the amplifier circuits and may create a fire hazard and/or defeat the safety built into the amplifier and may void the warranty.

9 +12V TRIGGER IN/OUT

- The +12V TRIGGER IN allows the CI 980 to be remotely switched from standby mode to operating mode and vice-versa by ancillary equipment such as a preamplifier, AV processor, etc. The controlling device must be equipped with a 12V trigger output to use this feature.
- The +12V TRIGGER OUT is used for controlling external equipment that is equipped with a +12V trigger input. With TRIGGER - OFF/ON/AUTO set to OFF, this output will be 12V when the CI 980 is at operating mode and 0V when it is at standby mode or powered OFF.
- Refer also to the item about "TRIGGER - OFF/ON/AUTO".

10 TRIGGER - OFF/ON/AUTO

- This switch has three settings - OFF, ON or AUTO.
- At OFF setting, +12V TRIGGER OUT will output 12V when CI 980 is at operating mode and 0V when it is at standby mode or powered OFF.
- At ON setting and with the +12V TRIGGER IN of the CI 980 connected to the DC output jack of a compatible auxiliary component, the CI 980 can be switched remotely from standby mode to operating mode and vice-versa. Use a 3.5mm mini-jack to pass +12V from the auxiliary equipment into the CI 980.
- At AUTO setting, the CI 980 will instantaneously turn to operating mode from standby mode if it senses any input signal (approximately above 20mV RMS input) applied through any of the GLOBAL or ZONE INPUT sockets.

NOTES

- *With the rear panel POWER switch at ON position and the OFF/ON/AUTO switch at AUTO setting, the CI 980 cannot be switched ON using the front panel STANDBY button. Slide the OFF/ON/AUTO switch to OFF setting for the CI 980 to be normally switched ON (or back to standby mode) using the front panel STANDBY button.*
- *It will take about 10 minutes for the CI 980 to go to standby mode when the input signal source is turned OFF.*

11 POWER SWITCH

- The POWER switch supplies the master AC mains power for the CI 980.
- When the POWER switch is set to ON position and with TRIGGER OFF/ON/AUTO set to OFF, the CI 980 goes to standby mode as indicated by the amber status of the Standby LED. Press the front panel Standby button to switch ON the CI 980 from standby mode.
- If you intend not to use the CI 980 for long periods of time (such as when on vacation), switch off the POWER switch.

REFERENCE**TROUBLESHOOTING**

CONDITION	POSSIBLE CAUSES	POSSIBLE SOLUTIONS
No power.	• The power cord is disconnected.	• Plug the power cord into the wall outlet securely.
	• CI 980 at standby mode.	• Press front panel STANDBY button to switch ON the CI 980 (TRIGGER OFF/ON/AUTO switch set to OFF position).
	• Rear panel POWER switch not at ON setting.	• Set the rear panel POWER switch to ON setting.
CI 980 always at standby mode; cannot be switched ON using the front panel STANDBY button.	• TRIGGER OFF/ON/AUTO switch set to "AUTO" position.	• Slide the TRIGGER OFF/ON/AUTO switch to "OFF" position.
	• The CI 980 is not powered OFF using the front panel STANDBY button.	• Power ON the CI 980 in the same manner it was deactivated.
No sound.	• Power AC lead unplugged or power not switched ON.	• Check if AC lead is plugged-in and POWER switched ON.
	• No input signal applied through the rear panel INPUT terminals.	• Check that there is active input signal applied through the rear panel INPUT terminals.
No sound one channel.	• Speaker not properly connected or damaged.	• Check connections and speakers.
	• Input lead disconnected or damaged.	• Check leads and connections.
Weak bass/diffused stereo image.	• Speakers wired out of phase.	• Check connections to all speakers in the system.

REFERENCE

SPECIFICATIONS

OVERALL SPECIFICATIONS

Continuous output power into 8 ohms and 4 ohms (both channels driven)	>50 W (ref. rated THD, 20 Hz – 20 kHz)
Continuous output power into 8 ohms (Mono, Bridge mode)	>100 W (ref. 20 Hz - 20 kHz, <0.02 % THD)
Rated THD (250 mW to rated power, CCIF IMD, DIM 100)	<0.03 % (ref. 20 Hz - 20 kHz)
Clipping power	>155W (ref. 1 kHz, 8 ohms, 0.1% THD)
Damping factor	>150 (ref. 8 ohms, 50 Hz and 1 kHz)
Input sensitivity	1.1V (ref. rated power)
Voltage gain	33 dB
Frequency response	±1 dB (ref. 20 Hz - 20 kHz)
Signal-to-noise ratio, A-weighted	>80 dB (ref. 1 W)
	>100 dB (ref. 50 W)
Minimum input signal to trigger auto sense mode	>20 mV
Time to go to standby mode at no input signal (auto sense mode)	10 minutes
Rated power	600 W
Standby power	<0.5 W

DIMENSION AND WEIGHT

Unit dimension (W x H x D)	483 x 105 x 323 mm
	19 ¹ / ₁₆ x 4 ³ / ₁₆ x 12 ³ / ₄ inches
Shipping weight	7.1 kg (15.7 lbs)

NAD SHALL NOT BE HELD LIABLE FOR ANY TECHNICAL OR USER INTERFACE DISCREPANCIES IN THIS MANUAL.
THE CI 980 OWNER'S MANUAL MAY BE SUBJECT TO CHANGE WITHOUT PRIOR NOTICE. CHECK OUT WWW.NADELECTRONICS.COM FOR THE LATEST VERSION OF THE CI 980 OWNER'S MANUAL.



www.NADelectronics.com

**©2023 NAD ELECTRONICS INTERNATIONAL
A DIVISION OF LENBROOK INDUSTRIES LIMITED**

All rights reserved. NAD and the NAD logo are trademarks of NAD Electronics International, a division of Lenbrook Industries Limited.
No part of this publication may be reproduced, stored or transmitted in any form without the written permission of NAD Electronics International.
While every effort has been made to ensure the contents are accurate at the time of publication, features and specifications may be subject to change without prior notice.

CI980-OM-EN-V07 - JUN 2023