

Table of Contents

Getting Started, *4*

Download the Bang & Olufsen app, *6*

Daily Use, *7*

Multiroom, *8*

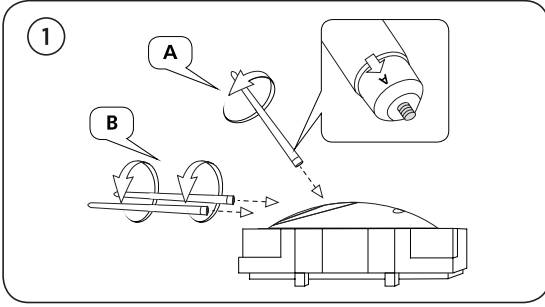
Bluetooth Pairing, *9*

Set Up Stereo Speakers, *10*

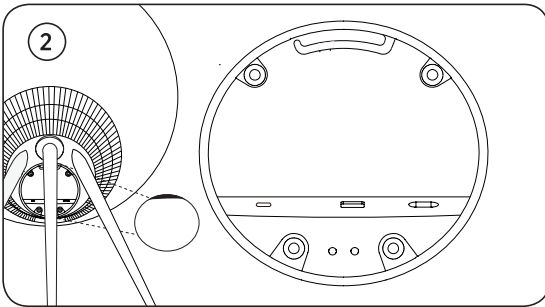
Light Indicators, *11*

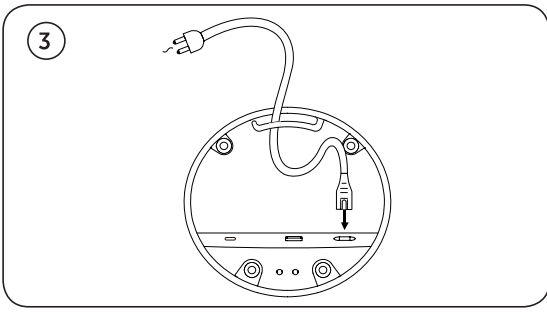
Buttons and Connections, *12*

GETTING STARTED



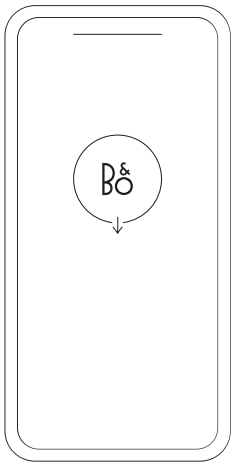
Open the box and take out the three legs. Legs are marked with labels to show where they fit. Keep the speaker in the packaging while mounting the legs.





Place the speaker in the place you want it. Remove the cover of the connection panel and connect the power cable. Wait 1-2 minutes until the connectivity indicator turns orange and you hear audible feedback.

DOWNLOAD THE BANG & OLUFSEN APP



To set up your product and get the full Bang & Olufsen experience, download the Bang & Olufsen app. You can personalise your experience and access new features and product support from this app.

When you open the Bang & Olufsen app, you will be asked to create a user account. Once logged in, tap + to set up the new speaker.

Active Room Compensation

Beosound A9 features Active Room Compensation. It is a feature optimising the sound performance to the speaker's placement in the room. It should run each time the speaker is moved, and it is accessed from the Bang & Olufsen app.

Software update

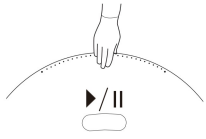
By default, Beosound A9 is set up for automatic software updates. Updates are carried out at night if the speaker is connected to the mains and the Internet. We recommend this setting to ensure that your speaker always has the latest features and improvements.

The setting can be changed in the Bang & Olufsen app.

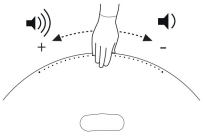
DAILY USE

You find a row of touch-sensitive dots on the top rear of Beosound A9. They are used for daily operation. The description of daily use is based on you standing in front of the speaker.

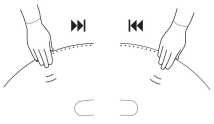
Start playback - Open your Bang & Olufsen app to start streaming or use your preferred streaming service.



Play/pause - tap once to play the last played integrated source. Tap again to pause.



Volume control - Slide your hand several times to the right to slowly increase the volume and once to the left to lower the volume.



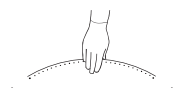
Next or previous - tap on the right-hand side for next track/station and on the left-hand side for previous track/station.

Pause/standby - if the speaker is inactive for three minutes, it automatically goes to standby. To restart playback, open the Bang & Olufsen app and select a source. Alternatively, tap the centre of the touch-sensitive dots to start playback of the integrated source that was last played.

MULTIROOM



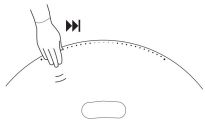
Use the Bang & Olufsen app to add compatible speakers to create a Beolink Multiroom group and play your music simultaneously in different rooms. Alternatively, stream to more speakers using AirPlay 2 or Chromecast.



Join an ongoing Beolink Multiroom experience by holding your hand for 2 seconds at the top of the dots on the rear until you get audible feedback.

BLUETOOTH PAIRING

Activate Bluetooth on your smartphone.



Press and hold on the right-hand side (“Next”) to enable Bluetooth pairing. The product indicator turns blue, and you get audible feedback. Select “Beosound A9 5th Generation” on your smartphone, and you’re ready to use Bluetooth streaming.

SET UP STEREO SPEAKERS

Beosound A9 can be set up as a stereo speaker playing either the left or right channel. You need two same-generation Beosound A9.

Once you have carried out the first-time setup for each of the two Beosound A9, select stereo pairing in the Bang & Olufsen app under Sound Settings. Follow the procedure and await audible feedback.



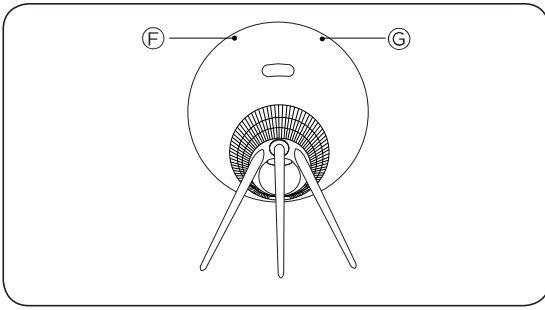
Left channel



Right channel

Once stereo pairing is carried out, the two speakers merge into one.

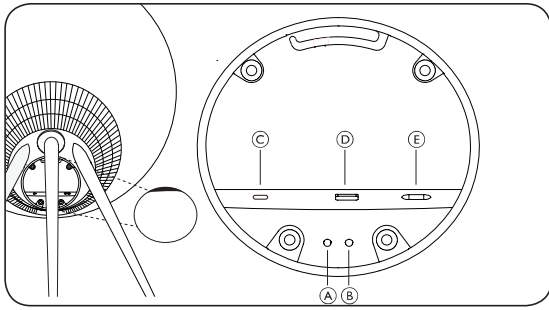
LIGHT INDICATORS



F: Product status	Meaning
Off	Switched off
White solid	Connected and ready for use
White flashing	Paused/muted
Amber pulsing	Connecting to network
Amber solid	No network connection
Blue solid	Bluetooth pairing completed
Blue pulsing	Bluetooth pairing mode
Red solid	Permanent error (contact retailer)
Red flashing	Overheating - please allow the speaker to cool down
Green pulsing	Software update in progress

G: Microphone status	Meaning
No light	Microphone off
White solid	Microphone on

BUTTONS AND CONNECTIONS



A: Microphone on/off

B: Wi-Fi setup/Factory reset

Wi-Fi – press and hold for 2 seconds to connect to a new network – audible feedback indicates successful setup, and the product light indicator turns solid white.

Factory reset – press and hold for 8 seconds to reset to factory settings and await audible feedback. The speaker restarts. Once the product indicator flashes white, Beosound A9 is ready for first-time setup.

C: USB-C – for service and connection of external sources, use the enclosed mini-jack adaptor

D: Ethernet – for wired network connection

E: Power – for enclosed mains cable.