

# A new vision for sound

Beosound Theatre reinvents what the home cinema experience can be. All the power, clarity and immersion of a multi-speaker setup. But from one beautiful soundbar that slots in seamlessly with any screen.




No black boxes, no cable clutter. Four patent-pending acoustic innovations in one sleek soundbar envelop you in sound from every angle.

Made with materials as beautiful as they are durable, Beosound Theatre is made to last for generations.

Make every movie an unmissable cinematic event.



## Important features

-  Sound that surrounds
-  All beauty. No clutter
-  For generations to come



Basic

WEIGHT  
18 kg

PLACEMENT  
Table or wall

RECOMMENDED ROOM SIZE  
15 - 60 m<sup>2</sup>

WALL MOUNTED

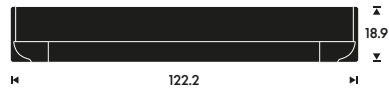


TABLE STAND




**Technical**
**CABINET PRINCIPLE**

Closed cabinet

**LOCAL BUTTONS**

Volume up/down, Play/pause,  
Step forward/previous, Touch to join,  
Bluetooth pairing and 4 favorite buttons

**LOUDSPEAKER**

11 outputs:

7 Internal: Left, Centre, Right / Left and  
Right side-firing / Left and Right up-firing  
4 Virtual: Virtual Left and Right Surround /  
Virtual Left and Right Front Height

**AMPLIFIER**

12 power amplifiers:  
2 x 100 watts amplifiers for bass outputs  
10 x 60 watts amplifiers for center channel,  
left/right/upfiring/side firing outputs

**SPEAKER CONFIGURATION**

12 speaker drivers  
2 x 6.5" woofer custom made  
1 x 5.25" midrange + 1 x 1" tweeter for  
custom made coaxial centre speaker  
2 x 3" midrange  
4 x 2.5" full range  
2 x 1" tweeter

**ADVANCED SOUND FEATURES**

Integrated 7.1.4 Dolby Atmos decoding  
and custom-tuned post-processing  
with proprietary True Image  
up- / downmixing algorithm.  
Advanced Bass management system  
Adaptive Bass Linearisation (ABL)  
Thermal protection

**ROOMSENSE**

Automated speaker setup with external  
microphone:  
Speaker level and distance  
Speaker role  
Speaker position compensation  
from 30 – 10.000Hz  
Room resonance compensation  
from 30 – 200Hz

**FREQUENCY RANGE**

28 Hz - 23,000 Hz

**MAXIMUM OUTPUT LEVEL (SPL) @1M**

112 dB SPL

**BASS CAPABILITY @1M**

94 dB SPL

**SOUND FORMAT HDMI**

Dolby Atmos supporting:  
Dolby Digital TrueHD  
Dolby Digital plus 7.1 (including DD5.1)  
Dolby Atmos, Dolby MAT

PCM 7.1 multichannel

MPEG-2 AAC

MPEG-4 HE-AAC

**TOUCH UI WITH PROXIMITY SENSOR**

Ultrasonic sound for detection of  
a person within 60 cm range

**POWER CONSUMPTION**

Typical: 120 W

**TV SCREEN**

Optimised for LG OLED C2/G2/Z2  
55"/65"/77"


**Connectivity**
**WIRED CONNECTIVITY**

3 x HDMI input with CEC input  
 1 x HDMI eARC with passthrough 4K  
 120FPS / 8K 60FPS / 40Gbit  
 Analogue audio in via USB-C  
 (3.5 mm passive jack adaptor required.  
 B&O partno. 6271374 )  
 Ethernet switch with 4 x 1Gbit ports.  
 One port assigned for LG OLED TV  
 connection for integrated control via  
 Beoremove One and Bang & Olufsen App

**WIRELESS CONNECTIONS**

Dual band WLAN 2.4 / 5GHz  
 IEEE 802.11 b/g/a/n/ac  
 Standard built-in, WiSA compliant.  
 Connect up to eight Beolab loudspeakers  
 wirelessly in addition to the wired  
 loudspeakers.  
 Bluetooth 5.1 (BLE and EDR)  
 Bluetooth Codecs (AAC and SBC)

**INTEGRATED MUSIC SERVICES**

Bang & Olufsen Radio

**VOICE ASSISTANT**

Via external Google assistant device

**REMOTE CONTROL**

Integrated system control,  
 including LG OLED TV  
 Beoremove One BT  
 Bang & Olufsen App  
 Beoremove Halo for music streaming

**STREAMING SERVICES**

Apple AirPlay 2  
 Bluetooth audio streaming  
 DLNA  
 Chromecast built-in  
 Spotify Connect  
 Deezer  
 QPlay

**MULTIROOM**

Apple Airplay 2 multiroom  
 Google Cast groups  
 Beolink incl join of TV / HDMI input sound  
 (not in sync) and analogue line-in

**SPEAKER OUTPUTS**

8 x Wireless Powerlink  
 8 x Powerlink

**PERIPHERAL UNIT CONTROL**

Integrated Peripheral Unit/Set-top Box  
 Controller for two units, allowing you  
 to control set-top boxes with the  
 Bang & Olufsen remote control

**MOTORISED TURN FUNCTION**

1 x micro-fit 4 pin

**SOCKET EXTERNAL ROOMSENSE MICROPHONE**

3.5 mm jack  
 Slider for microphone mute

**Other information**

## DESIGNER

Noto GmbH

## LISTENING MODES

5 customisable listening modes

## WHAT IS IN THE BOX:

Beosound Theatre including  
55" or 65" or 77" Side Wings  
HDMI cable  
LAN cable  
Mains cable  
Soundbar wall bracket  
(for installing as a "stand alone" soundbar)  
Soundbar table stand  
(for installing as a "stand alone" soundbar)  
Decoration covers  
Installation guide  
Drilling template for wall  
mounting of soundbar  
Microphone for automated  
RoomSense setup  
Tool for removing speaker cover

## LISTENING POSITIONS

Yes



**Basic**

BEOSOUND THEATRE WITH A 55" TV

PLACEMENT OPTIONS

- Table stand
- Motorised floor stand
- Motorised wall bracket

WEIGHT

Table stand incl LG G2 TV:  
49 kg

Motorised floor stand incl. LG G2 TV:  
69 kg

Motorised wall bracket incl. LG G2 TV:  
62 kg

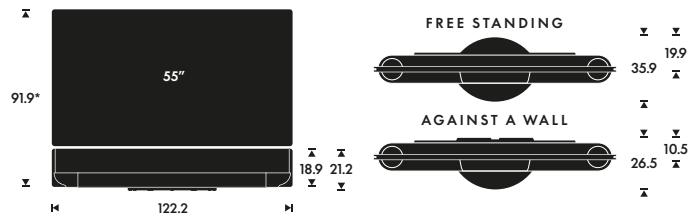
MOTORISED FLOOR STAND

The maximum turning angle is +/- 35 degrees. It requires 9 cm distance from wall.

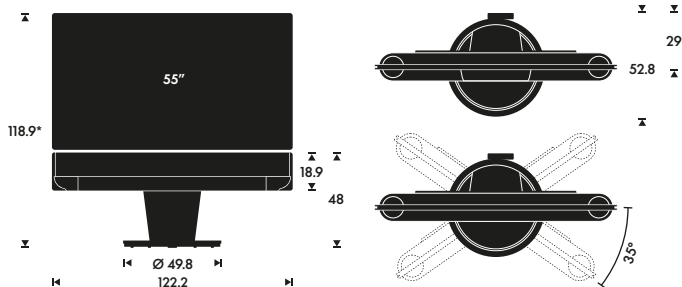
If the rear part of the floor stand is placed against the wall, the screen can be turned: +/-18 degrees.

**Product Dimensions**

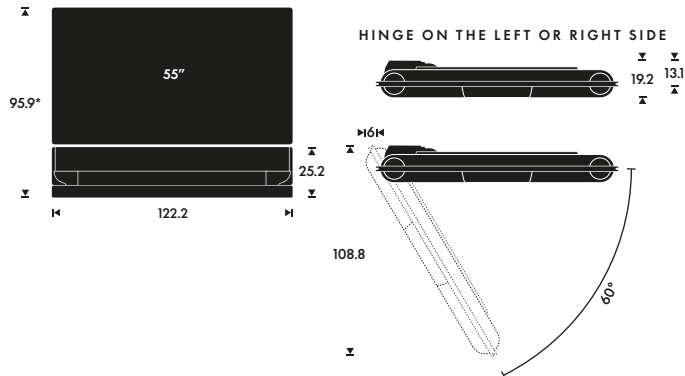
TABLE STAND WITH 55" TV



MOTORISED FLOOR STAND WITH 55" TV



MOTORISED WALL BRACKET WITH 55" TV



\*Height depends on TV model


**Basic**

BEOSOUND THEATRE WITH A 65" TV

**PLACEMENT OPTIONS**

- Table stand
- Motorised floor stand
- Motorised wall bracket

**WEIGHT**

 Table stand incl LG G2 TV:  
53 kg

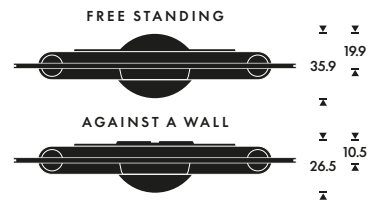
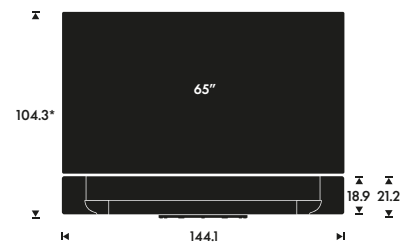
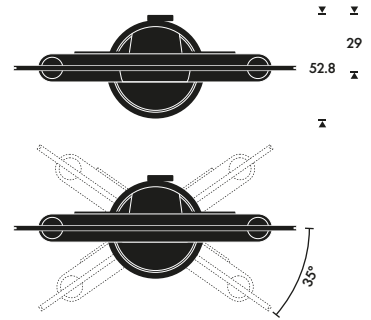
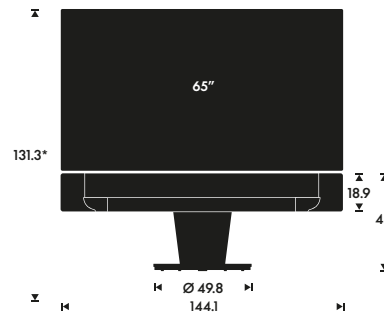
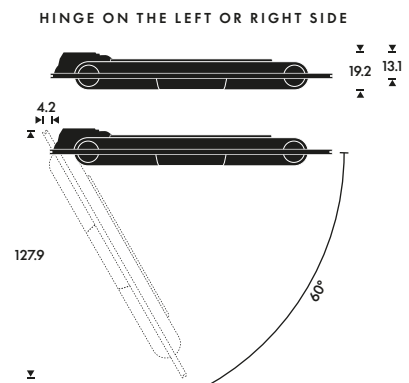
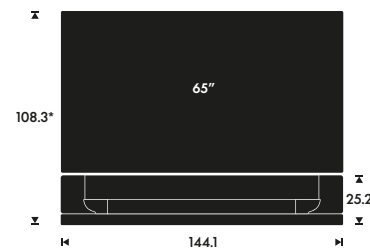
 Motorised floor stand incl. LG G2 TV:  
73 kg

 Motorised wall bracket incl. LG G2 TV:  
68 kg

**MOTORISED FLOOR STAND**

The maximum turning angle is +/- 35 degrees. It requires 14 cm distance from wall.

If the rear part of the floor stand is placed against the wall, the screen can be turned: +/-18 degrees.

**Product Dimensions**
**TABLE STAND WITH 65" TV**

**MOTORISED FLOOR STAND WITH 65" TV**

**MOTORISED WALL BRACKET WITH 65" TV**

*\*Height depends on TV model*



**Basic**

BEOSOUND THEATRE WITH A 77" TV

PLACEMENT OPTIONS

- Table stand
- Motorised floor stand

WEIGHT

Table stand incl LG G2 TV:  
66 kg

Motorised floor stand incl. LG G2 TV:  
87 kg

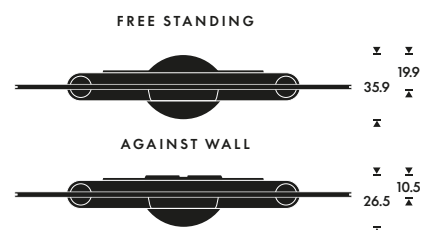
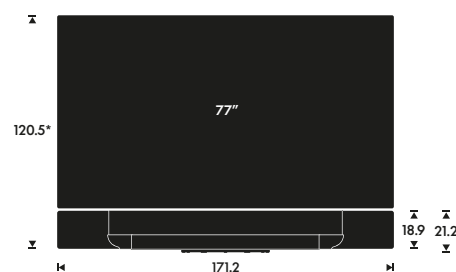
MOTORISED FLOOR STAND

The maximum turning angle is +/- 35 degrees. It requires 22 cm distance from wall.

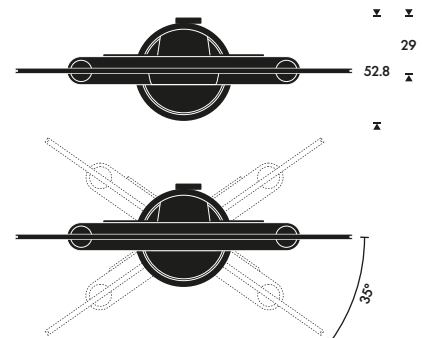
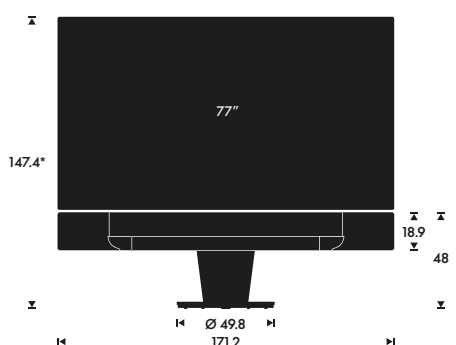
If the rear part of the floor stand is placed against the wall, the screen can be turned: +/-15 degrees.

**Product Dimensions**

TABLE STAND WITH 77" TV



MOTORISED FLOOR STAND WITH 77" TV



\*Height depends on TV model





FRAME  
Silver aluminium



SPEAKER COVER  
Oak

FRAME  
Silver aluminium



SPEAKER COVER  
Grey mélangé fabric

FRAME  
Black Anthracite  
aluminium



SPEAKER COVER  
Dark oak

FRAME  
Gold Tone aluminium



SPEAKER COVER  
Light oak



**Available for customisation**

With the B&O AR Experience app, you can preview the customisation options and view the speakers in different rooms.

Ask in store or visit [www.bang-olufsen.com](http://www.bang-olufsen.com) for more information.

