

User's Manual

B50



B50 Bluetooth Stereo Amplifier with Audio Transmitter.



aptX HD



50W x2



HDMI ARC



Audio TX



APP

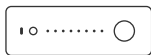
Table of contents

1. Introduction	1
2. What's in the box	1
3. Interface	2
4. Remote Controller	3
5. Installation	4
6. Connection	5
6.1 Passive Speakers	5
6.2 Phono in	6
6.3 Line in	7
6.4 Optical in	7
6.5 HDMI ARC	8
6.6 USB Disk Drive	8
6.7 Connect to PC	9
7. Usage	9
7.1 Bluetooth Receiver Mode	9
7.2 Bluetooth Transmitter Mode	10
7.3 Line in Mode	11
7.4 Phono in Mode	12
7.5 Optical in Mode	12
7.6 HDMI ARC Mode	13
7.7 USB Disk Drive Playback Mode	13
7.8 USB DAC Mode	14
8. Mobile Application	14
9. ACPWrokBench (Sell Separately)	15
10. Specification	16

1. Introduction

Arylic B50 is a BT wireless stereo amplifier with the ability to transmit your music wirelessly to BT speakers. B50 not only can receive music from your mobile, but also has analog and digital inputs, it comes with phono input for use with turntable which needs higher amplification, TV ARC input for use with TV. If you have many music files stored in USB disk drive, you can also play them with resume playback function. All the input sounds can be played to connected speakers or stream wirelessly to BT speakers or earbuds. You can control B50 with remote controller or with our free mobile application for both Android and iOS system, that lets you have full control on the device plus user friendly EQ system.

2. What's in the box



Main Unit x1



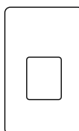
Antenna(3dB) x2



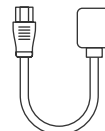
Remote Control x1



User's Manual x1

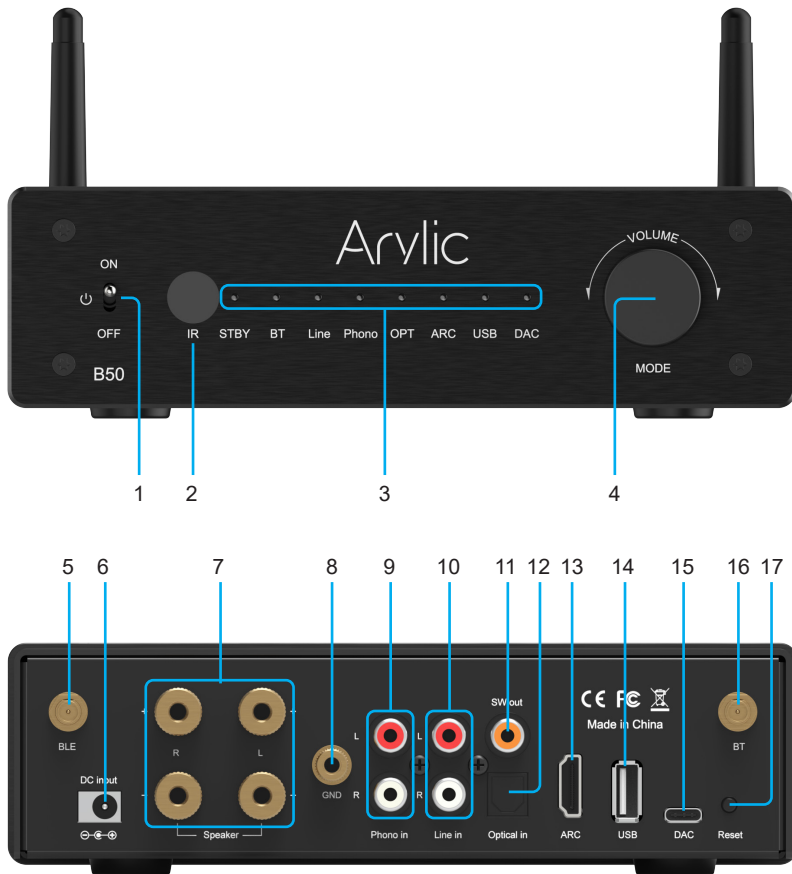


Power Adapter x1



Power Cable x1

3. Interface



3. Interface

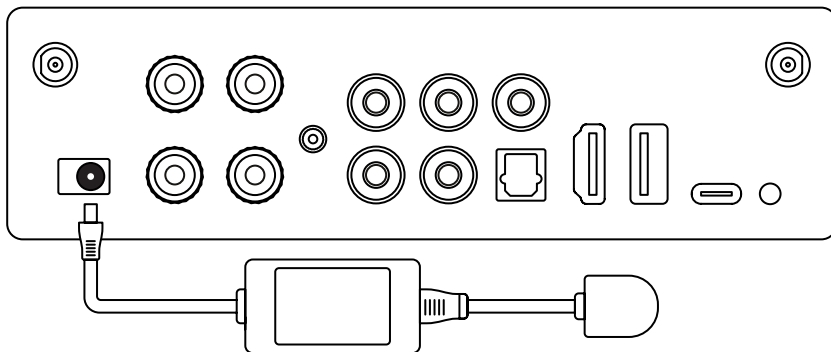
1. Power switch: To turn on/off device.
2. IR sensor: For IR remote controller to control the device.
3. Status LEDs: LEDs indicate current status/input source.
When BT LED is flashing, it indicates the device is in BT receiver (RX) mode and is waiting for connection. Once connected the LED will stay on.
When one of the source input LED is on and BT LED is also on, it indicates BT Transmitter (TX) mode is on and is using the current source as input.
All LEDs will turn on during firmware update, do not turn off power at this time, wait till all LEDs turn off and back to BT mode.
All LEDs will start flashing when device goes in protection mode, please turn off the device and check for reason (generally is either over heat or output is short-circuited)
4. Volume knob + Input mode button: Turn to increase/decrease volume.
Press to change input source mode.
Long press to go into standby mode.
5. BLE Antenna: For Bluetooth BLE connection.
6. DC input: Please use the power adaptor comes with the package, using other power adaptor might damage the device.
7. Speaker out banana plug: For connection to 4-8ohm passive speakers.
8. Ground connector: For connection to turntable GND connector (optional).
9. Phono input connector: For connection to turntable as phono amplifier.
10. Line input connector: For connection to device with line output.
11. Subwoofer output connector: For connection to active subwoofer.
12. Optical input connector: For connection to device with optical output.
13. HDMI ARC connector: For connection to TV HDMI ARC port.
14. USB Type-A port: For connection to USB disk drive.
15. USB Type-C port: For connection to PC.
16. BT Antenna: For Bluetooth connection.
17. Reset button: When in Bluetooth Receiver mode, press twice to disconnect all Bluetooth connections.
When in Source input mode, press once to enable Bluetooth Transmitter connection, press twice to disconnect all Bluetooth connections.
When a Bluetooth device or mobile is connected, press once to start second device connection.
Press and hold the button to do factory reset.

4. Remote Controller



5. Installation

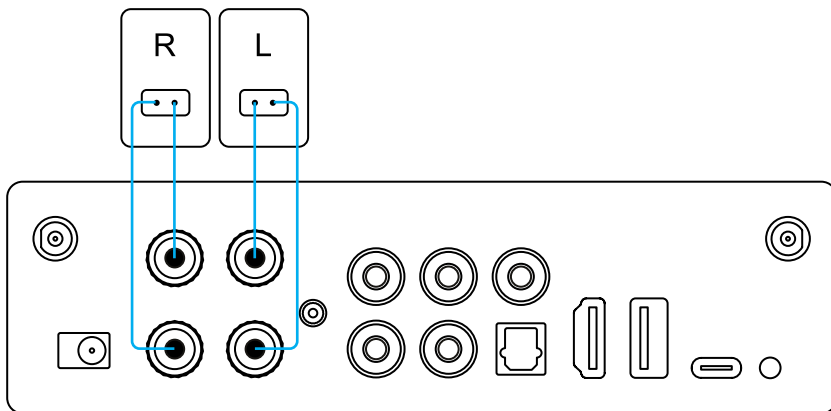
Install both antennas to the device and plug in the power adaptor.



6. Connection

6.1 Passive Speakers

Use speaker cable to connect the device to your passive speakers.

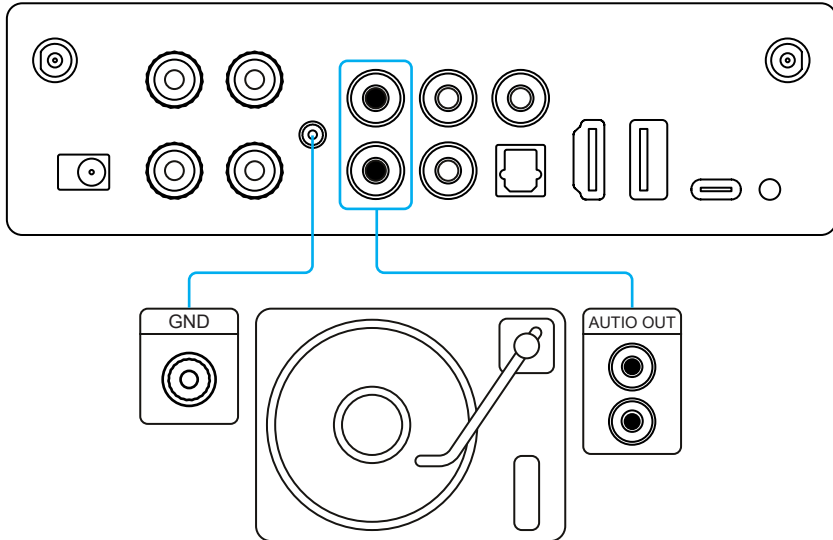


6.2 Phono in

Connect the turntable Audio out to the Phono in RCA connectors.

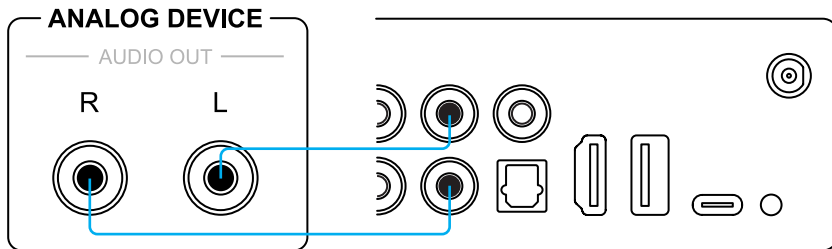
If your turntable has GND socket, you can connect it to the GND socket on the device. This is optional, if your turntable doesn't have GND socket, you can ignore it.

*Do not connect other device Line out to Phono in, it will create very loud voice and might damage the device and connected speakers.



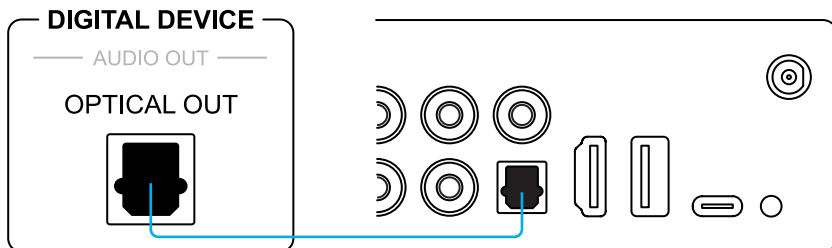
6.3 Line in

Connect any playback device with Audio out/Line out/AUX out to Line in using an RCA cable.



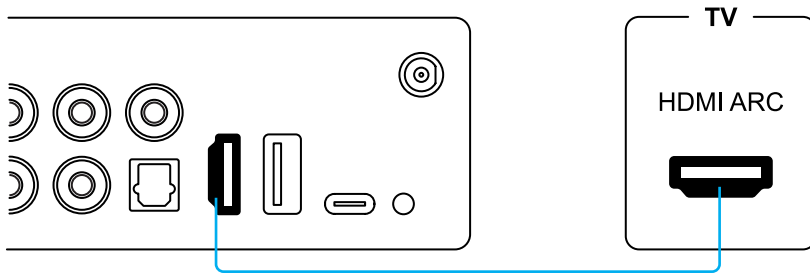
6.4 Optical in

Connect any playback device with Optical out to Optical in using an optical cable.



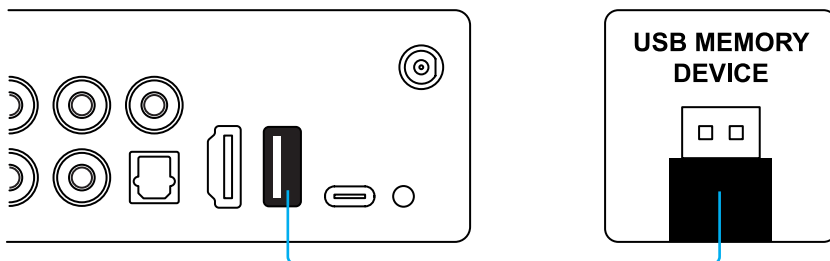
6.5 HDMI ARC

If your TV has an HDMI ARC port, you can use an HDMI cable to connect it to the ARC port on the device.



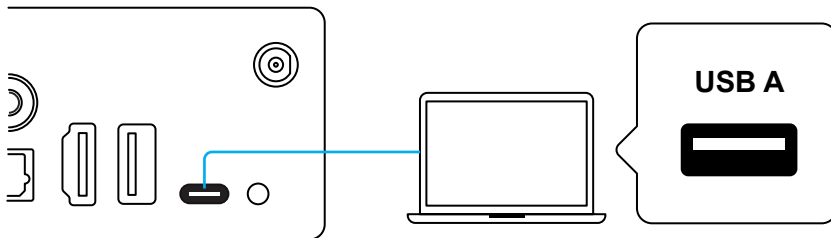
9.6 USB Disk Drive

Plug in a USB disk drive to the USB Host to play music.



6.7 Connect to PC

Connect PC with a USB Type-C cable. Please make sure this cable is a Data link cable and not just a charging cable, or else your PC will not recognize the device.



7. Usage

7.1 Bluetooth Receiver Mode

When in Bluetooth receiver mode, the BT LED will be flashing which indicates it is waiting for connection. In your BT transmitter device (mobile phone, pad, TV) you can search for a Bluetooth device name "B50 XXXX" (XXXX is the serial number) and connect to it.

Once connected, the BT LED will stay on which indicates the connection is successful and you can start playing music from the connected device and hear the sound coming out of the connected passive speakers.

The device will remember connected devices, it will auto connect to paired device.



You can connect up to 2 devices at the same time, once the first device has been connected, press the Reset button on the back of the device or press the BT button on the remote controller to enter pairing mode for the second device. The connection process is the same as the first device.

Please note, only one device can play music at a time, only when the current playing device stop music playback, can the other device start streaming music.

To disconnect the Bluetooth connection, quickly press the Reset button twice to disconnect all the connection.

7.2 Bluetooth Transmitter Mode

To enable Bluetooth transmitter mode, once you are in one of the source input modes (Line in / Phono in / Optical in / HDMI ARC / USB disk drive / USB DAC) press the Reset button on the back or press the BT TX button on the remote controller to enable.

Once enabled, you will notice the BT LED will start flashing, the device will then search for nearby Bluetooth receiver device (Bluetooth Speakers, headphones) and connect to it.

Please note, some BT receiver device might need you to enter pairing mode first, some BT receiver device might need to press a connection button to establish the connection. Please refer to the device user manual or contact the seller for advice if needed.



After successfully connected, the BT LED will stay on and you should be able to hear the sound coming out from the connected Bluetooth device, and the connected passive speaker will have no sound.

You can connect a second BT receiver device once the first device has been successfully connected. Press the Reset button on the back or press the BT TX button on the remote controller will trigger the device to enter pairing mode for the second BT receiver device. The connection process is the same as the first device.

Connecting the second device will take 20 to 50 seconds, please be patient.

Once connected, both BT receiver device will have sound output.

To disconnect the Bluetooth connection, quickly press the Reset button twice to disconnect all the connection.

7.3 Line in Mode

You can connect any analog device with line out to play music from B50. You will need to switch to Link in mode with the Mode button on the device, use the remote controller or in the Go Connect APP. The Line LED will turn on when you in Line in mode.

You can also stream Line in audio through Bluetooth and listen from connected Bluetooth receiver devices such as Bluetooth speakers or Bluetooth headphone.



7.4 Phono in Mode

B50 is also a turntable amplifier, you can connect your turntable to the Phono in connectors and the GND connector to play music. Press the Mode button on the device, use the remote controller or in the Go Connect APP to switch to Phono in mode. The Phono LED will turn on when you in Phono in mode.

You can also stream turntable audio through Bluetooth and listen from connected Bluetooth receiver devices such as Bluetooth speakers or Bluetooth headphone.

Please note, compare to Line in mode, Phono in mode has a very high amplification due to the low volume of turntable. **DO NOT** connect any analog device line out to Phono in, it will create a very loud voice and risk of damaging the device and connected speakers.



7.5 Optical in Mode

You can connect any device with digital optical output to B50. You can press the Mode button on the device, use the remote controller or in the Go Connect APP to switch to Optical in mode. The OPT LED will turn on when you in Optical in mode.

You can also stream Optical in audio through Bluetooth and listen from connected Bluetooth receiver devices such as Bluetooth speakers or Bluetooth headphone.



7.6 HDMI ARC Mode

Nowadays most TV comes with HDMI ARC which is a special HDMI port for audio output. B50 has such HDMI ARC port for you to connect to your TV as an external stereo sound system and play music from your passive speakers. In order to use HDMI ARC, you will need to press the Mode button on the device, use the remote controller or in the Go Connect APP to switch to HDMI ARC mode. The ARC LED will turn on when you in HDMI ARC mode.

You can also stream the music from TV through Bluetooth and listen from Bluetooth headphone, when you want to watch TV without disturbing others.



7.7 USB Disk Drive Playback Mode

If you have many music files and you want to play them, you can store them in a USB disk drive and playback from B50. Just plug in the USB disk drive with music files and B50 will auto switch to USB Mode and playback the music. The USB LED will turn on.0



B50 also has resume playback function, if you stop playing the music or switch to another source input mode or unplug the USB disk drive, B50 will start from the last song being played when you enter USB disk drive playback the next time.

You can also stream stored music to connected Bluetooth speakers or headphones via Bluetooth transmitter mode.

* Please note the USB disk drive file format has to be Fat16/Fat32/exFat.

* Can support up to 128GB USB disk drive.

7.8 USB DAC Mode

You can connect B50 to your PC to work as an external USB stereo sound system using a USB Type-C cable. Please make sure the cable you use is data link cable and not just a charging cable. Some charging cable is only for battery charging and does not contain data link to transfer data.

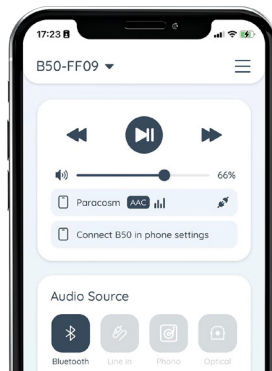
You will need to select B50 as the sound output device in your PC for it work. Look for the device name call “Up2Stream USB Audio” and connect to it. Same as other input modes, you can stream your PC audio to other connected Bluetooth device.



8. Mobile Application

Go Connect is a user-friendly control application for B50. You can easily take control of the device without complicate configuration, Go Connect will automatically detect close by B50 device and connect to it. Go Connect lets you do playback control, input source selection, enable Bluetooth pairing, enable Bluetooth transmission and in-depth EQ settings for B50 device.

Go Connect is available in both Google Play Store and Apple APP Store.



9. ACPWrokBench (Sell Separately)

ACPWorkbench is a windows application that allows you to tune B50 audio effects conveniently, including Music Noise Suppressor, Virtual Bass, Stereo Widener, Exciter, 10 bands EQ and many more. When tuning, it will have real-time feedback and you can save and export the changes you made for use in another B50 device.



10. Specification

Bluetooth		
Bluetooth Standard	5.2	
Transmit	2x Bluetooth TX, able to connect up to 2 Bluetooth speaker or earbuds	
Receive	2x Bluetooth RX, able to connect up to 2 Bluetooth transmitter device	
Codec	APT-X HD, APT-X, AAC, SBC	
Amplifier		
Amplifier Power	24V 4ohm 50W *2 24V 8ohm 30W *2	
Speaker Impedance	4-8ohm	
Frequency Response	20Hz to 20KHz	
THD+N	>0.1% @ 1W 1kHz	
SNR	>93db	
Audio I/O		
Audio Input	Line in	Analog RCA, Max 2V RMS input
	Phono in	Analog RCA, support MM/MC
	Optical in	Max 192kHz/24bit sample rate decode PCM encoding
	HDMI ARC	PCM only
	USB Host	USB disk drive playback, support resume playback Sample rate: 48kHz Storage format: Fat16, Fat32, exFAT, up to 128GB Support codec: mp3(data rate up to 384kbps), mp4, wma, mov, m4a, aac, flac(96kHz/24bit), ape
	USB Type-C	USB DAC for PC connection, sample rate: 48kHz
Audio Output	Subwoofer out	Max 3V RMS output, Frequency Response: 250Hz
	Speaker out	50W per channel @ 4ohms
General		
Power Input	24V/4.16A	
Size	185 x 155 x 50mm	
Weight	900g	

Scan the QR codes below for more

Support and After Service : info@arylic.com



arylic.com



Facebook: arylicme



YouTube:Arylic



4STREAM APP



New User Manual



New Update Info



©Copyright 2023 by Arylic. All Rights Reserved.

The information contained in this guide is believed to be accurate and reliable. Arylic assumes no responsibility for any errors contained in this guide. Arylic reserves the rights to make changes in the specifications and/or design of the above mentioned product without prior notice. The diagrams contained in this guide may also not fully represent the product that you are using and they are for illustration purposes. Arylic assumes no responsibility for any differences between the product mentioned in this guide and the product you may have.

The Spotify Software is subject to third party licenses found here: <https://www.spotify.com/connect/third-party-licenses>

v1.0