


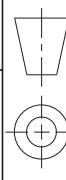
REVISIONS (试产: P/量产: V)

REV	ZONE	DESCRIPTIONS	AUTHCR	DATE
A		首次发行	邓娟	2021.06.23



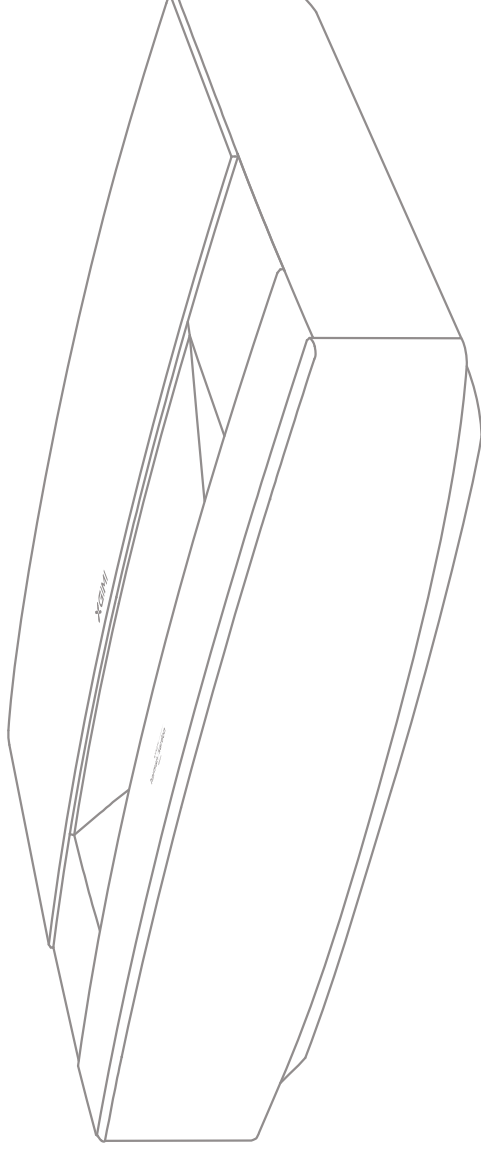
变更符号

材质: 封面、封底250g哑粉纸, 内页105g哑粉纸  
 印刷颜色: PANTONE Cool Gray 8C  
 尺寸: 190\*120mm  
 工艺: 封面、封底覆膜, 内页过油, 胶装

707-00333-001	WWAM01项目-说明书			
PART NUMBER	Name OF BOM	REMARK		
		PRODUCTION		
Designer:	F-check:	STD-check:	DRAWING FILE NAME	
邓娟			MODEL NAME	
OPT-check:	Approve I:	Approve II:	ISSUED DATE	DRAWING TOOLING REVISION VERSION
				A
	SIZE A4	SHEET COVER OF 1	SCALE	UNIT mm

# XGIMI AURA

## USER GUIDE





English	1
Deutsch	22
Español	43
Français	64
Italiano	85
Polskie	106
Português	127
Русский	148
日本語	170
繁體中文	191
한국어	212
اللغة العربية	233



## **Please read the Product Instructions carefully before using the product**

Thank you for purchasing and using the products of Chengdu XGIMI Technology Co., Ltd. (hereinafter referred to as "XGIMI Technology" or "XGIMI"). You should read the Product Instructions carefully before using this product for both your safety and interests. XGIMI Technology disclaims all responsibilities for any personal injury, damage to property, or other loss that may occur as a result of improper or unsafe use of this product.

## **About the Product Instructions (hereinafter referred to as the "Instructions")**

The copyright of the Instructions belongs to XGIMI Technology.

Trademarks and names mentioned in the Instructions belong to their respective right owners.

In case of inconsistency between the content of the Instructions and the actual product, the actual product shall prevail.

Any objections to any content or clause found within the Instructions should be reported to XGIMI Technology in written form within 7 days after the purchase; otherwise, it will be assumed that you agree to, understand, and accept all the content of the Instructions.

Google, Android TV and Chromecast built-in are trademarks of Google LLC.

Google Assistant is not available in certain languages and countries. Availability of services varies by country and language.

**HDMI**<sup>®</sup>

HIGH-DEFINITION MULTIMEDIA INTERFACE

High-Definition Multimedia Interface (HDMI) and the HDMI Logo are trademarks or registered trademarks of HDMI Licensing Administrator, Inc.

**dts**<sup>®</sup>**HD**

For DTS patents, see <http://patents.dts.com>. Manufactured under license from DTS Licensing Limited. DTS, DTS-HD, DTS Studio Sound, and the DTS-HD logo are registered trademarks or trademarks of DTS, Inc. in the United States and other countries. © 2020 DTS, Inc. ALL RIGHTS RESERVED.

**Dolby** Audio

Manufactured under license from Dolby Laboratories. Dolby, Dolby Audio, and the double-D symbol are trademarks of Dolby Laboratories Licensing Corporation.

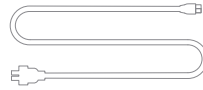
\* Model: XM03A

\* XGIMI Technology reserves the right to interpret and amend the Instructions.

## What's Included



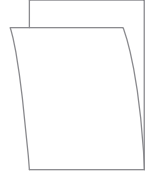
XGIMI AURA



Power cord



Remote Control



Instruction Manual

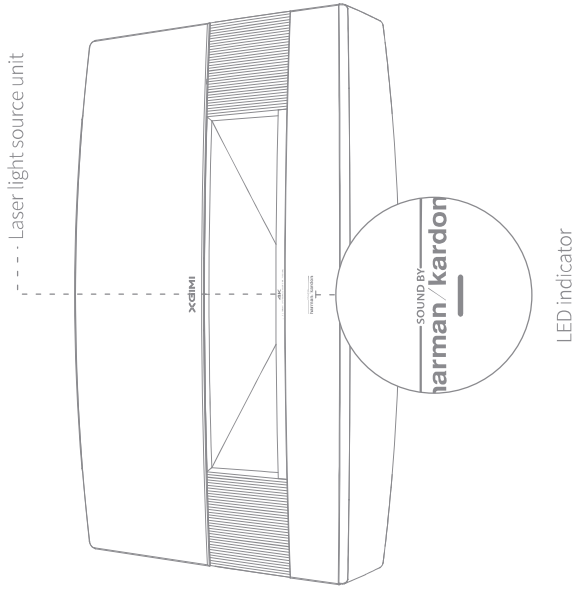


Warranty Card

Note: Please keep the original package in case of needed transportation in the future. To protect the product, please wrap it how it was received.

# Overview

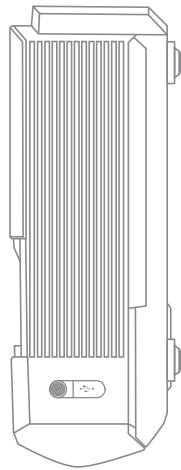
## Front & Top View



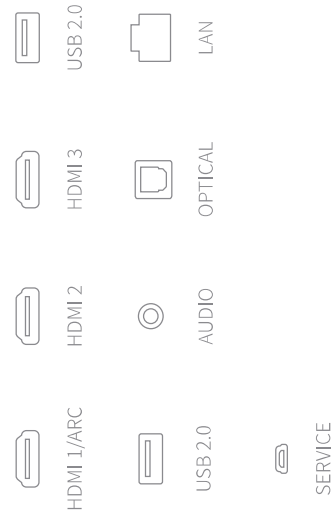
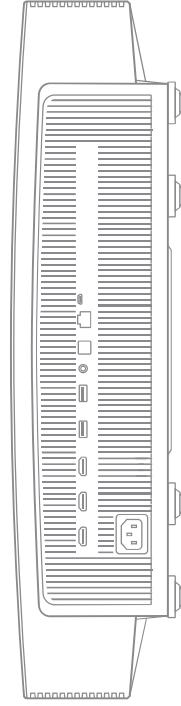
	LED Status	Description
1.	Orange Light Steady-on for several seconds	The device is powered on after plugging in the power cord.
2.	White Light Flashing	The device is powering on/off.
3.	White Light Steady-on	The device is powered on with the "Display Off".
4.	Orange Light Blinking	The firmware is updating.



Side View (right)

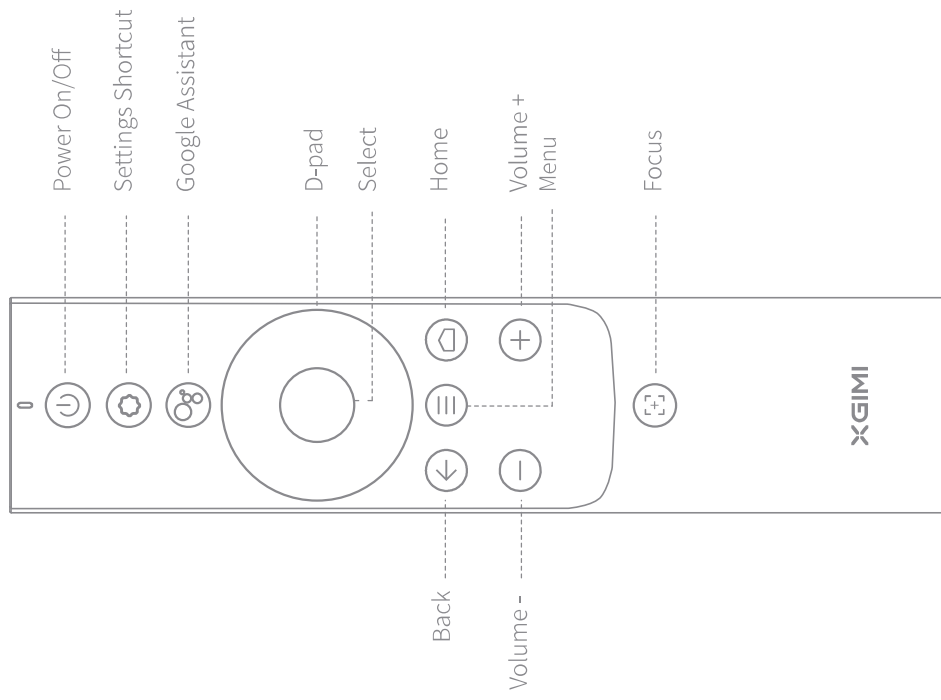


Rear View



Note: Use HDMI 2.0 cables when using HDMI 2.0 interfaces.

## Remote Control

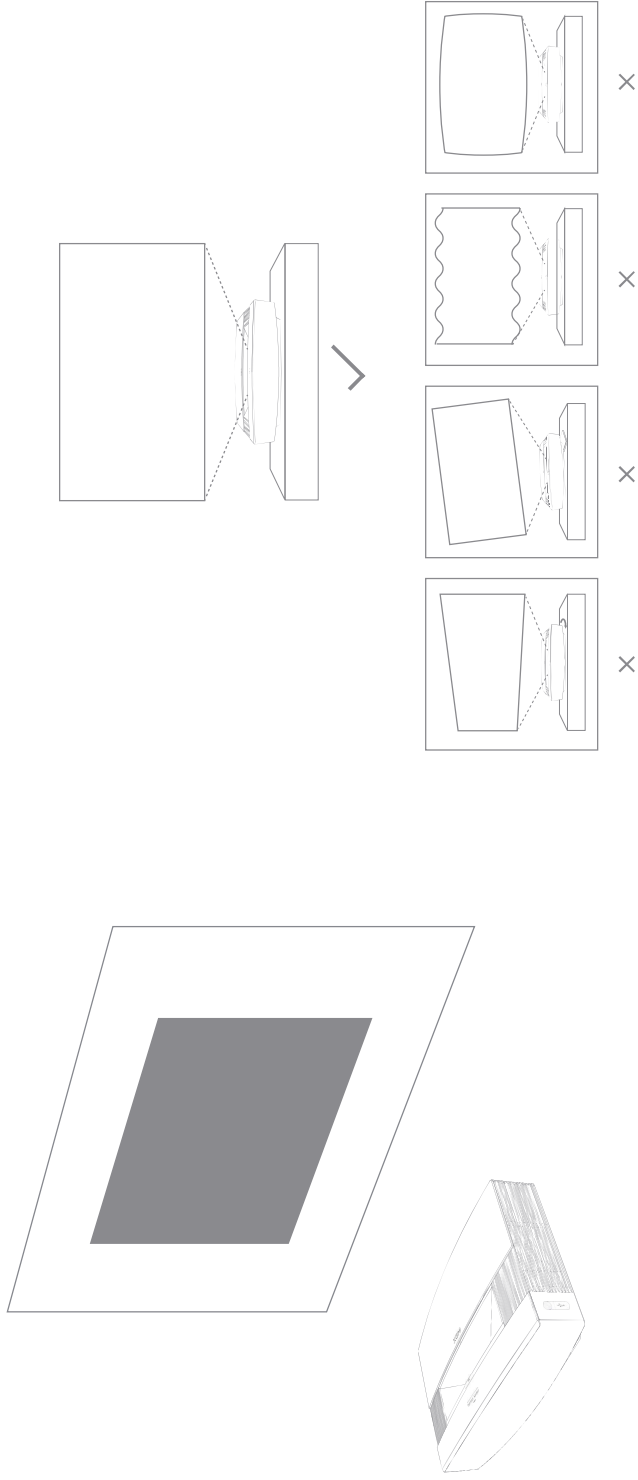


## Getting Started

### 1 Placement

Place the projector on a stable, flat surface and ensure the lens is aligned with the projection plane (display wall/surface). The rear of the projector should be parallel to the projection plane.

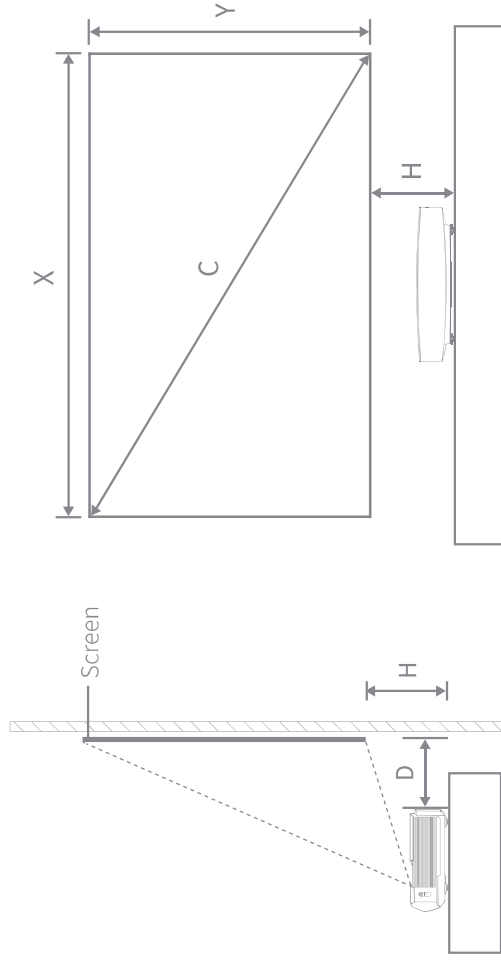
To achieve optimal projection, make sure the projection plane is white and flat, or you can use a projector screen. The wall for projection should be larger than the size of your desired image.



The screen sizes for each projection distance may differ depending on the installation environment.

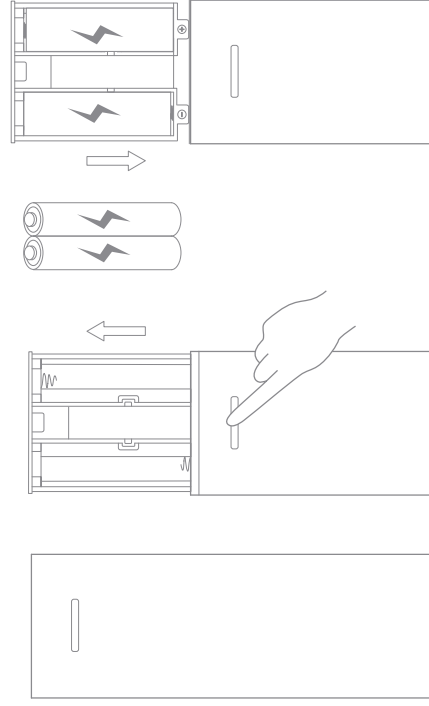
Unit: cm (inches)

C	X	Y	D	H
80"	177.1 cm (69.7")	99.6 cm (39.2")	10.9 cm (4.3")	32.9 cm (13.0")
90"	199.3 cm (78.4")	112.1 cm (44.1")	15.4 cm (6.1")	34.0 cm (13.4")
100"	221.4 cm (87.2")	124.5 cm (49.0")	20.9 cm (8.2")	38.8 cm (15.3")
110"	243.5 cm (95.9")	137.0 cm (53.9")	24.7 cm (9.7")	39.5 cm (15.6")
120"	265.7 cm (104.6")	149.4 cm (58.8")	29.8 cm (11.7")	42.0 cm (16.5")
130"	287.8 cm (113.3")	161.9 cm (63.7")	36.1 cm (14.2")	44.3 cm (17.4")
150"	332.1 cm (130.7")	186.8 cm (73.5")	44.1 cm (17.3")	49.3 cm (19.4")



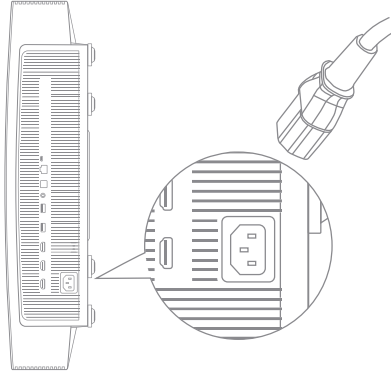
## 2 Using the Remote Control

- 1 Upon the first use, press the battery compartment release button on the back of the remote control to remove the battery compartment. Then, insert two AAA batteries.
- 2 When you insert the batteries, make sure that the + and – symbols on the batteries match the + and – symbols inside the battery compartment, and then press the battery compartment back onto the remote control.  
If you need to replace the batteries later, repeat the directions above.

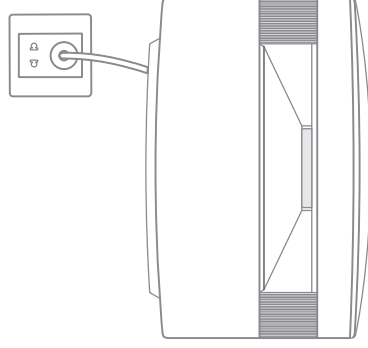


### 3 Powering on the Device

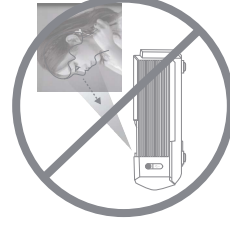
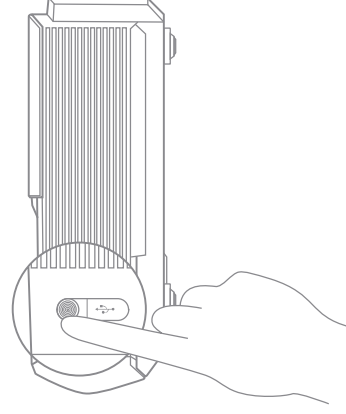
1. Connect the power cord to the XGIMI AURA.



2. Connect the power cord to the power socket.



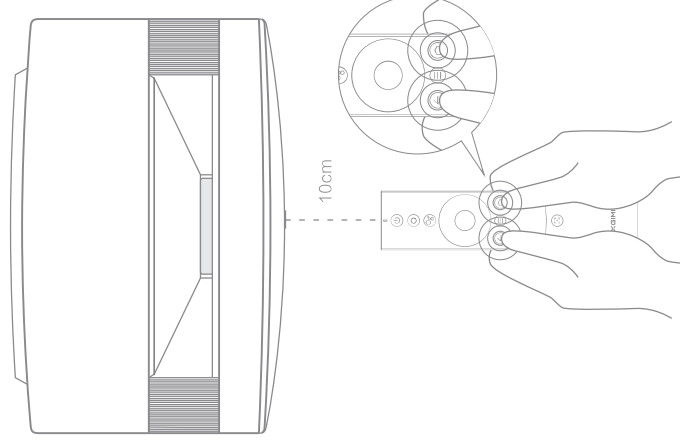
3. Press the power button to turn on the device.



#### 4 Pairing the Remote Control

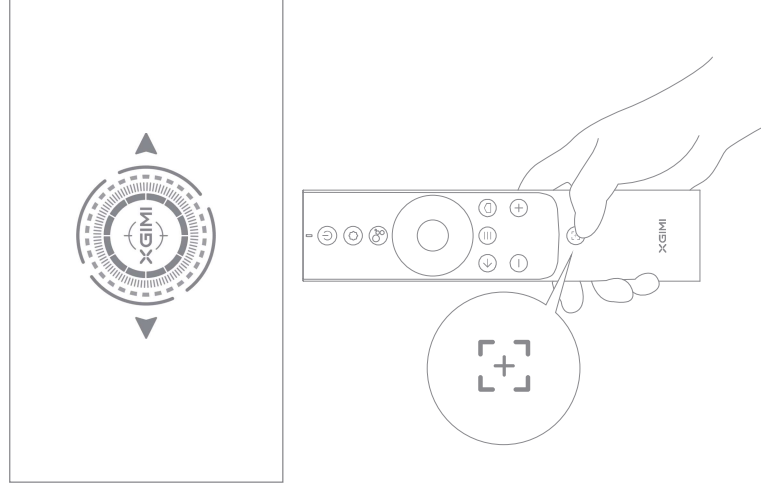
Ensure the remote control is within 10 cm of the device, press  and  simultaneously until the indicator light begins flashing. This means that the remote control has entered pairing mode. When you hear a "Ding", the connection is successful.

If pairing fails, the remote control will exit pairing mode after 30 seconds. Repeat the above steps after exiting.



## 5 Adjusting the Focus

Press the  button to enable manual focus adjustment. You can manually adjust the focus by pressing the "left/right" button or the "VOL+/-" button. After adjusting, you can press any other button to exit.



## 6 Setting Up Android TV

After the remote control is paired, follow the onscreen instructions to complete the Android TV setup.

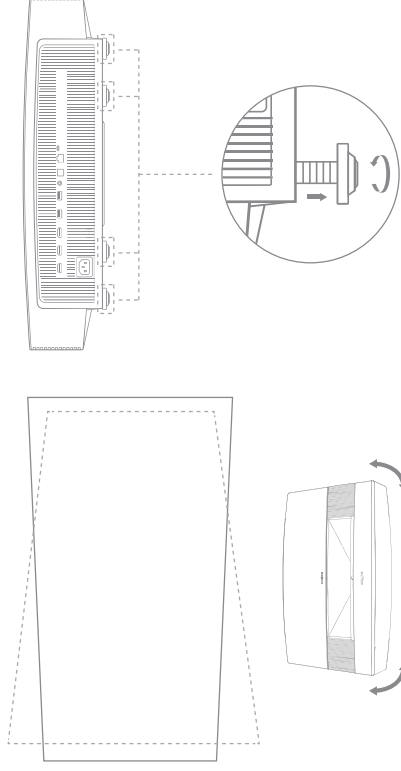
- 1 Quick Setup (Android)  
Android users can follow the onscreen instructions to quickly set up Android TV with their smartphones.
- 2 Set up XGIMI AURA (iOS)  
For iOS users, follow the instructions below to complete the setup:
  1. Skip the quick setup process.
  2. Connect XGIMI AURA to your network.
  3. Log in with your Google account.

Your XGIMI AURA will be powered by Android TV after the setup process is complete.

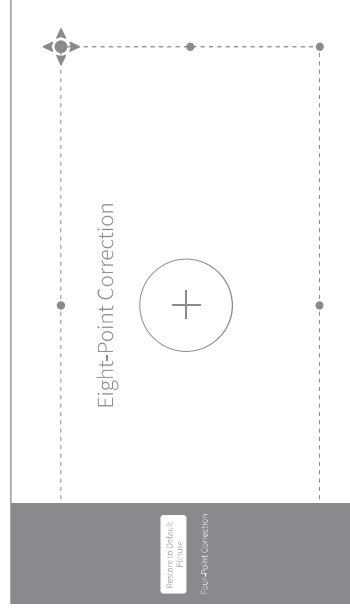


## 7 Adjusting the Projection Picture

Adjust the picture angle by moving the projector left or right or by altering the tilt angle adjustment foot at the bottom to make the screen rectangular.

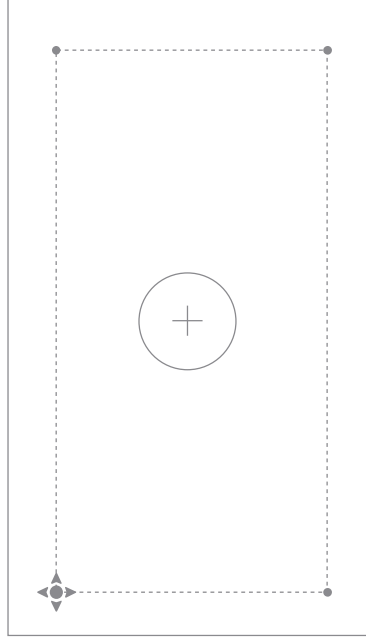


If you still think the projection picture is not square enough, use the remote control to open [Settings], select [Projector Settings] -> [Keystone Correction] -> [Manual Keystone Correction], and then choose the adjustment points to alter the projection picture further.



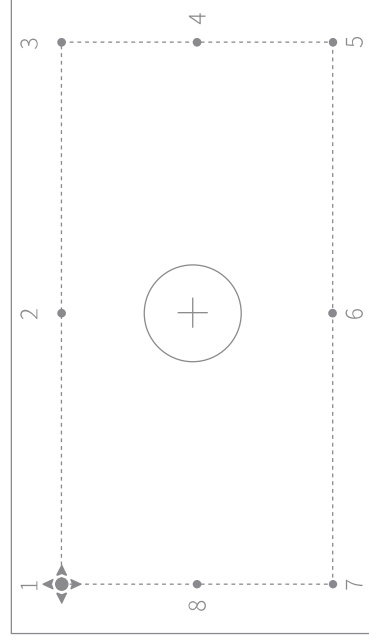
Manually adjust the projection picture by using one of the following two methods:

Four-point correction: Manually correct the projection picture by adjusting the 4 points. Press OK to switch adjustment points.



Four-Point Correction

Eight-point correction: A better way to fine-tune the projection picture compared to four-point correction. Apart from the adjustment points 1, 3, 5, 7, you can alter the edge of the image by adjusting points 2, 4, 6, 8.



Eight-Point Correction


## Using XGIMI AURA

### 1 Android TV Features

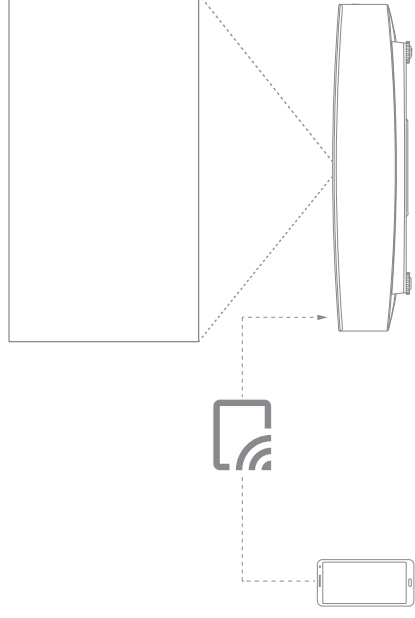
After the projector is connected to a wireless network, you can access Android TV online services and enjoy movies, music, and pictures. In addition to the pre-installed apps, you can also install other apps from the Google Play store and ask Google Assistant to help via various voice commands.

Press the Google Assistant button on your remote to search for movies and shows, get recommendations and answers, control smart home devices, and more.

You can project photos, videos, and music from your smartphone or PC directly to your projector.


- 1 Play a video clip with a smartphone or PC app that supports Chromecast built-in™, and then select  on the screen.
- 2 Select the target device, "XGIMI AURA", to begin projecting your smartphone content.

Note: Make sure the projector and your smartphone or PC are connected to the same network.



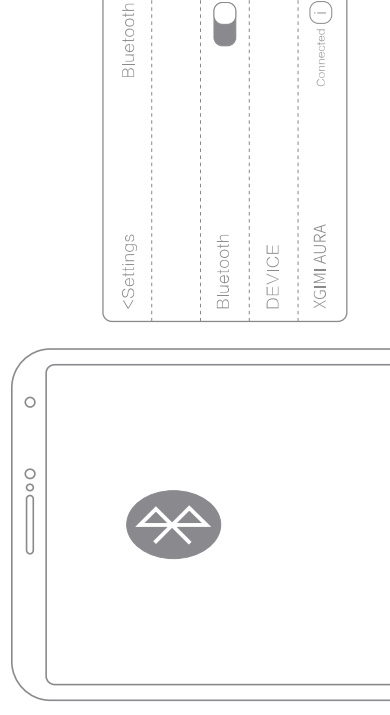
## 2 Bluetooth

### Connect a Bluetooth speaker

- 1 Open [System Settings] -> [Remotes & Accessories] -> [Add New Device].
- 2 Search for and pair with a Bluetooth speaker.  
To switch back to the projector speaker while the Bluetooth speaker is connected, press , and then select [Sound Output] -> [Internal Speaker]

### Play music via Bluetooth


Use smartphone Bluetooth settings to search for "XGIMI AURA" to pair with the device and play songs.



## 3 XGIMI Apps

### XMusic Player

XMusic Player is a built-in music player for XGIMI AURA and can play local music or music via Bluetooth. In the XMusic Player app, you can select different playback wallpapers to achieve an immersive listening experience.

If you need to turn off the projection frame during music playback, you can press the  button and select "Display Off".

**Bluetooth music:** When your smartphone Bluetooth is connected to XGIMI AURA, the XMusic Player app will open automatically. You can also select  on the homepage to go to the app list and open the app.

**Local music:** You can access an internal or external storage device using the built-in app File Manager. Open a music file, and it will play on the XMusic Player app by default.

Note: Some wallpapers may contain flashing lights and spectrums that may trigger epileptic seizures. If you experience dizziness, convulsions, or vision changes, switch the wallpaper to "Classic CD" and seek medical attention.

## File Manager

Use the File Manager app to view files on the device storage or external storage.

- 1 On the home page, click  Apps to open the app list. Select File Manager, and then select the device storage or external storage device.
- 2 Press and hold on to the "Settings" button to manage files. Press the "Menu" button for more actions.

Note: According to Android TV security requirements, you can only read files from external storage devices but cannot copy and paste these files.

## 4 Settings

At any interface, you can press the  button on the remote control to quickly adjust settings on your device. To configure more settings, go to the [All Settings] page.

The main settings include:

### Brightness and Color

Select a brightness mode, such as standard, bright, eye-protection, and adjust the brightness level. To customize the brightness and color of the picture, you can select "Custom mode".

- Standard: Used when watching films.
- Bright: Brighter than Standard mode.
- Eye-protection: Reduced blue light, preventing eye fatigue or strain.
- Performance: Recommended when you highly demand brightness.
- Custom: Customize the RGB value and 10-class brightness level.

### Image Mode

When watching content via HDMI or watching videos, select different image modes for different scenarios, such as movie, football, office, and game, to enjoy the optimal viewing experience.

- Movie: Ideal for watching films or TV series thanks to its cinematic picture quality.
- Football: Ideal for watching football games.
- Office: Ideal for office use.
- Game: Ideal for playing video games thanks to its low latency rates.
- Custom: Customize image parameters such as contrast, saturation, sharpness, noise reduction level, and motion compensation level.

### Sound Effect

XGIMI AURA offers you professional sound quality with DTS Studio Sound and Harman Kardon. Select different sound effects for different scenarios, such as movie, music, and sport, to enjoy the optimal sound experience.

## 5 System Upgrade

Check for the latest version and upgrade the system by selecting [Settings] -> [Device Preferences] -> [About] -> [System Update].