

ICARUS

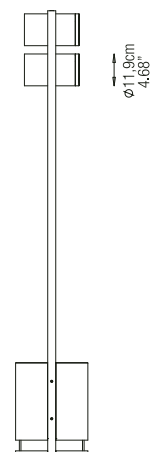
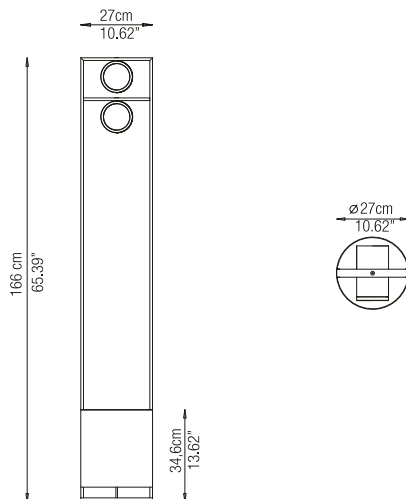
_STAND-ALONE

Giulia Archimede, 2018

> p. 040

Dimensions:
166h x 27φ cm
(65.39h x 10.62φ inches)

Weight:
24kg
(53 pounds)



| | | |
|------------------------------|--|---|
| Version | Passive without crossover | Crossover on board |
| Speaker Type: | 2 x 3,5" Wide Band 8" Woofer | 2 x 3,5" Wide Band 8" Woofer |
| Nominal Impedence: | 4Ω satellite 4Ω subwoofer | 4Ω |
| Crossover: | recommended DSP settings: SUB: HP=35 Hz; 12 dB/oct LP=120 Hz; 12 dB/oct SAT: HP=150 Hz; 12 dB/oct | 2 ways on board |
| Frequency Range: | 40-20.000Hz (-6dB) (recommended DSP setting) | 40-20.000Hz (-6dB) |
| Sensitivity (1W - 1m) | 87 dB | 87 dB |
| Speaker Peak Power | 70W satellite 400W subwoofer | 400W |
| Speaker RMS Power | 50W satellite 200W subwoofer | 200W |
| Lighting Mood | N/A | N/A |
| High-z on Board | Optional (Voltage 70-100 V Power 30-60 W) | Optional (Voltage 70-100 V Power 30-60 W) |
| Body Materials | Concrete (gray, black, white, red) Marble, travertine and alternative stones | Concrete (gray, black, white, red) Marble, travertine and alternative stones |

TECHNICAL INFO

Metal Components Materials

Stainless steel 304 (polished, satin, painted matt black)
Stainless steel 316L, Oxidized Brass

Stainless steel 304 (polished, satin, painted matt black)
Stainless steel 316L, Oxidized Brass