

The Spherina family goes back to the roots of Architettura Sonora's, the Sphere, an **iconic** image of **High-End speakers**, reworking and redesigning the shape and using new materials and refined details. The result is a **timeless and advanced speaker**, combining high-end design and meticulous aesthetic. The **Spherina_Floor** is an omnidirectional loudspeaker characterized by a dual concentric 6" transducer, with coaxial mid-woofer and tweeter to create a virtual point source, providing a uniform omnidirectional coverage over the vertical axis.

The new **SHINE LINE Special Edition** makes the Spherina truly unique through the ancient "Gilding" technique, applying a very thin layer of gold, called "gold leaf", over the concrete body.

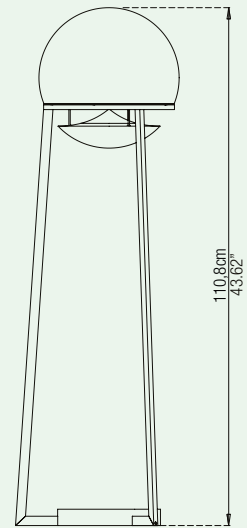
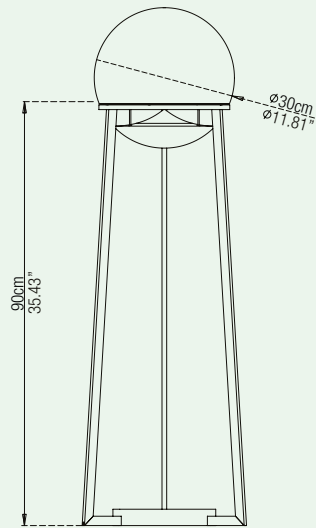
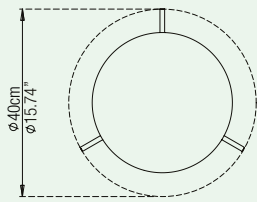


SPHERINA_MID-AIR

THE FUTURE OF SOUND MADE CONCRETE



ARCHITETTURA SONORA



110,8h X 40Ø cm (43.62h X 15.74Øinches)

Dimensions:

Weight:

17kg (38 pounds)

SPECIFICATIONS

Speaker Type:	6" Dual Concentric
Nominal Impedence:	8Ω
Crossover:	Two way on board
Frequency Range:	60-20.000HZ (-6dB)
Sensitivity (1W-1m):	89dB
Speaker peak power:	300W
Speaker RMS POWER:	150W
Recommended amplifier power:	200W (Class D)

BUILD YOUR OWN SPEAKER

BODY MATERIALS

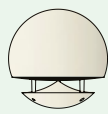
CONCRETE



Gray



Black



White



Red

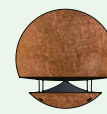
SHINE LINE SPECIAL EDITION



Gold Leaf



Silver Leaf



Copper Leaf

METAL STAND MATERIAL



Painted Graphite
Aluminium